

[54] SETTEE

[76] Inventor: Horace A. Hade, 6303 Valley Drive, R.R. No. 2, Grabill, Ind. 46741

[\*\*] Term: 14 Years

[21] Appl. No.: 661,941

[22] Filed: Feb. 27, 1976

[51] Int. Cl. .... D6-01

[52] U.S. Cl. .... D6/60

[58] Field of Search ..... D6/59-63, D6/47, 67-78

[56] References Cited

U.S. PATENT DOCUMENTS

D. 208,699	9/1967	Shoemaker .....	D6/73
D. 222,051	9/1971	Shannon .....	D6/60
D. 222,453	10/1971	Ziss et al. ....	D6/70

D. 237,434 11/1975 Le May, Jr. .... D6/60

OTHER PUBLICATIONS

"Lane Occasional Tables," Cat. Rec'd, 2-2-1974, Cocktail Table No. 1203-01.

Primary Examiner—Bruce W. Dunkins  
Attorney, Agent, or Firm—David A. Lundy

[57] CLAIM

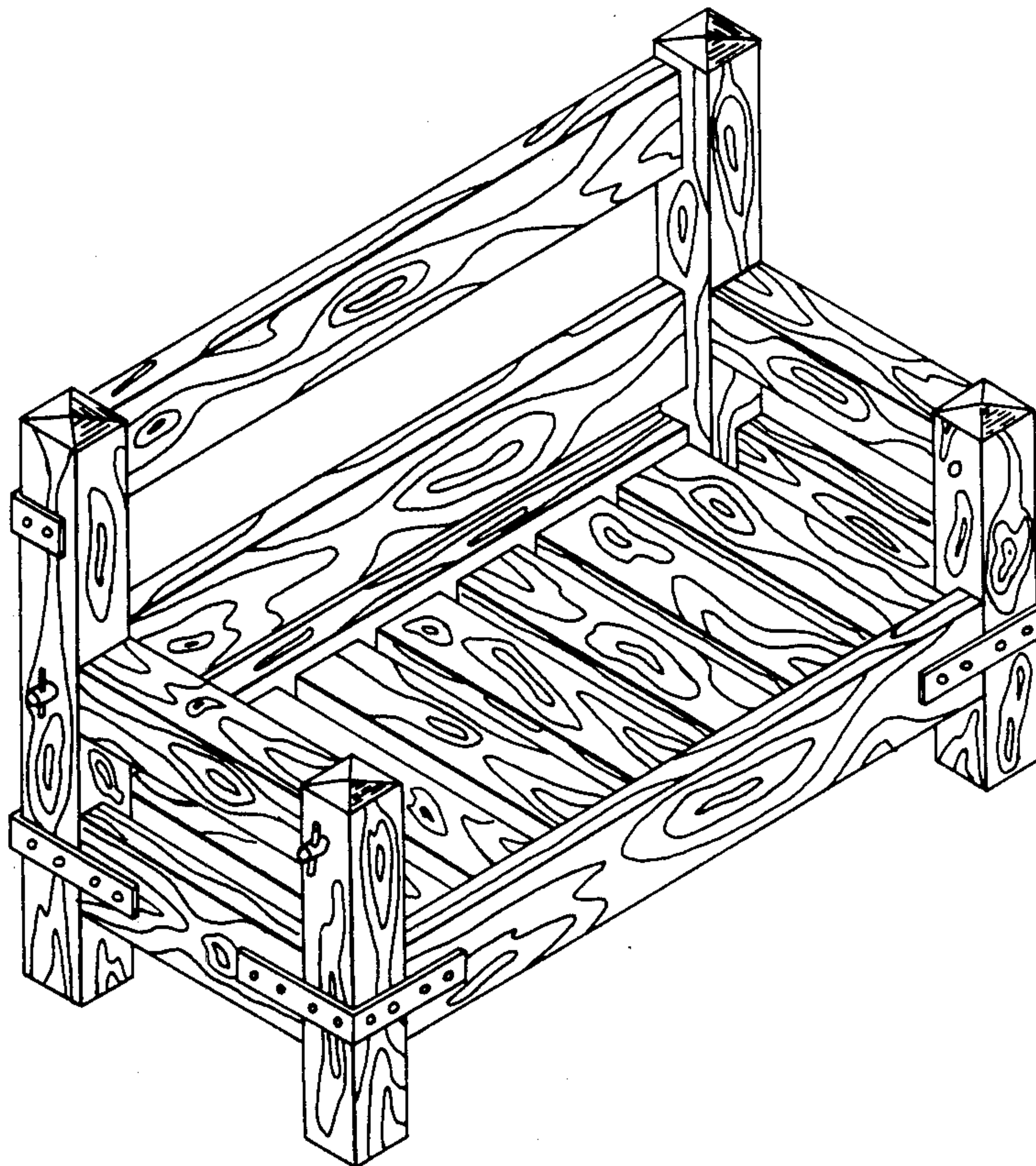
The ornamental design for a settee, as shown and described.

DESCRIPTION

FIG. 1 is a perspective view showing the front and a side of the settee showing my new design, both sides thereof appear identically;

FIG. 2 is a top view thereof; and

FIG. 3 is a bottom view thereof, with the settee tipped toward the viewer so as to illustrate both the bottom and the rear thereof.



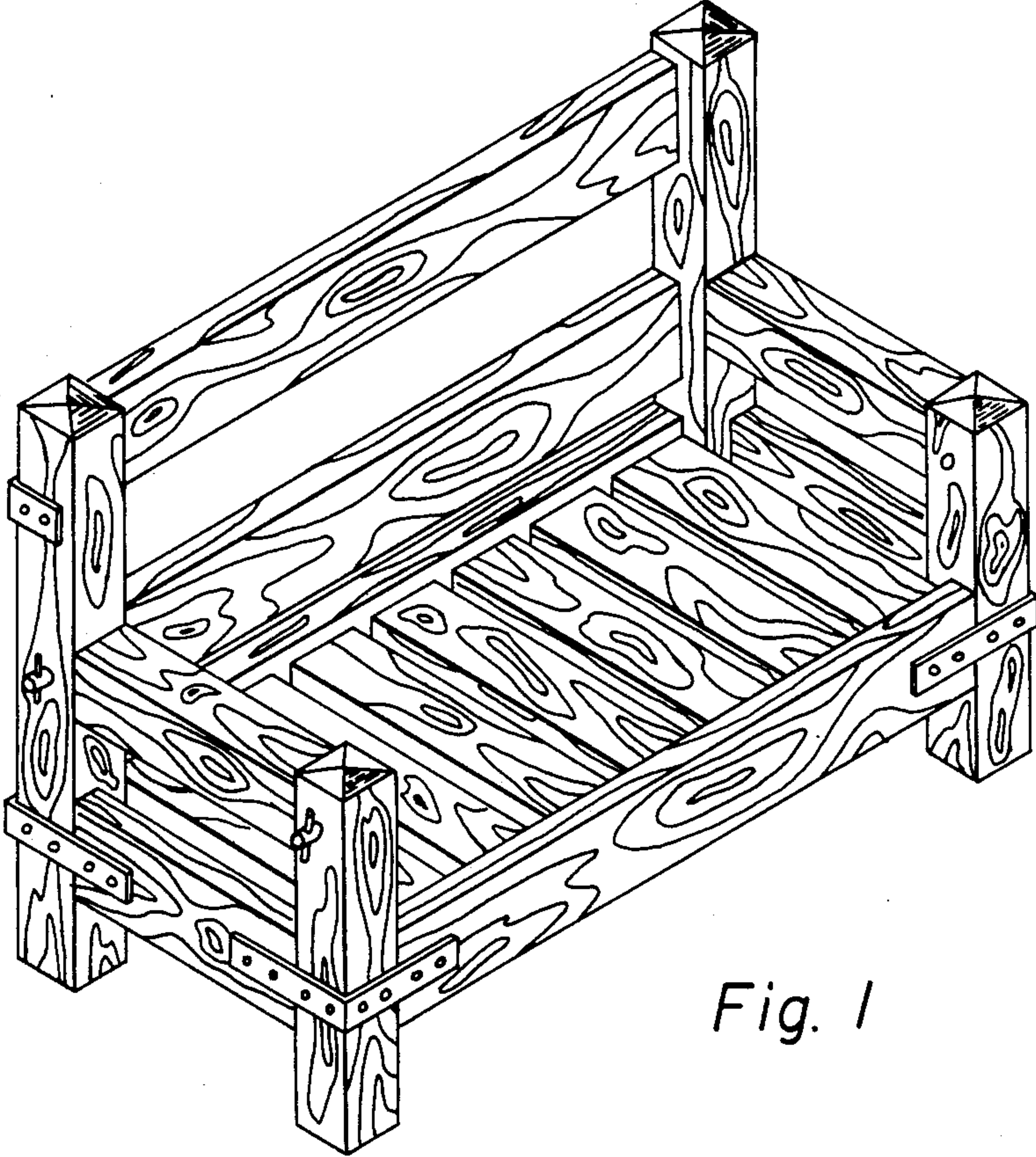


Fig. 1

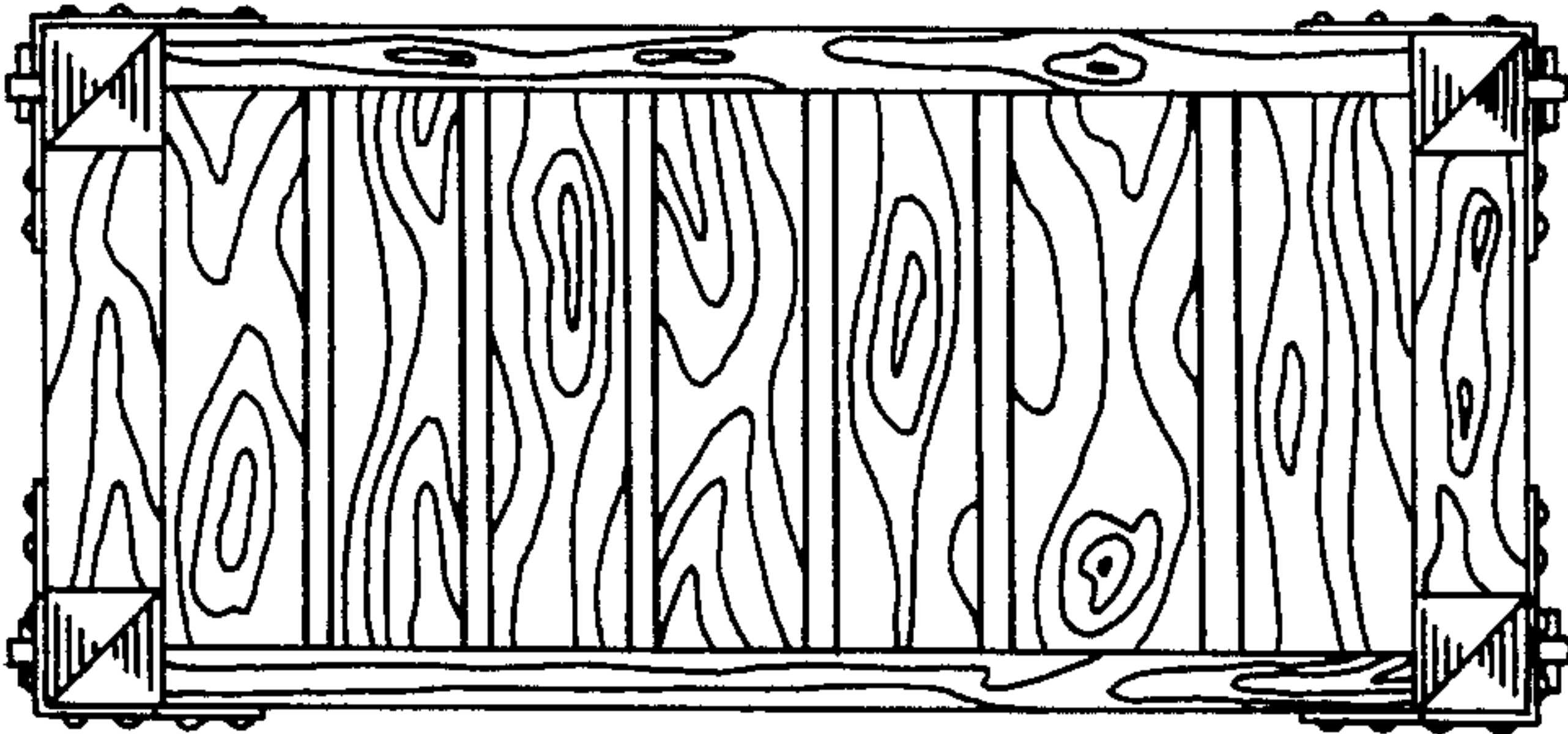


Fig. 2

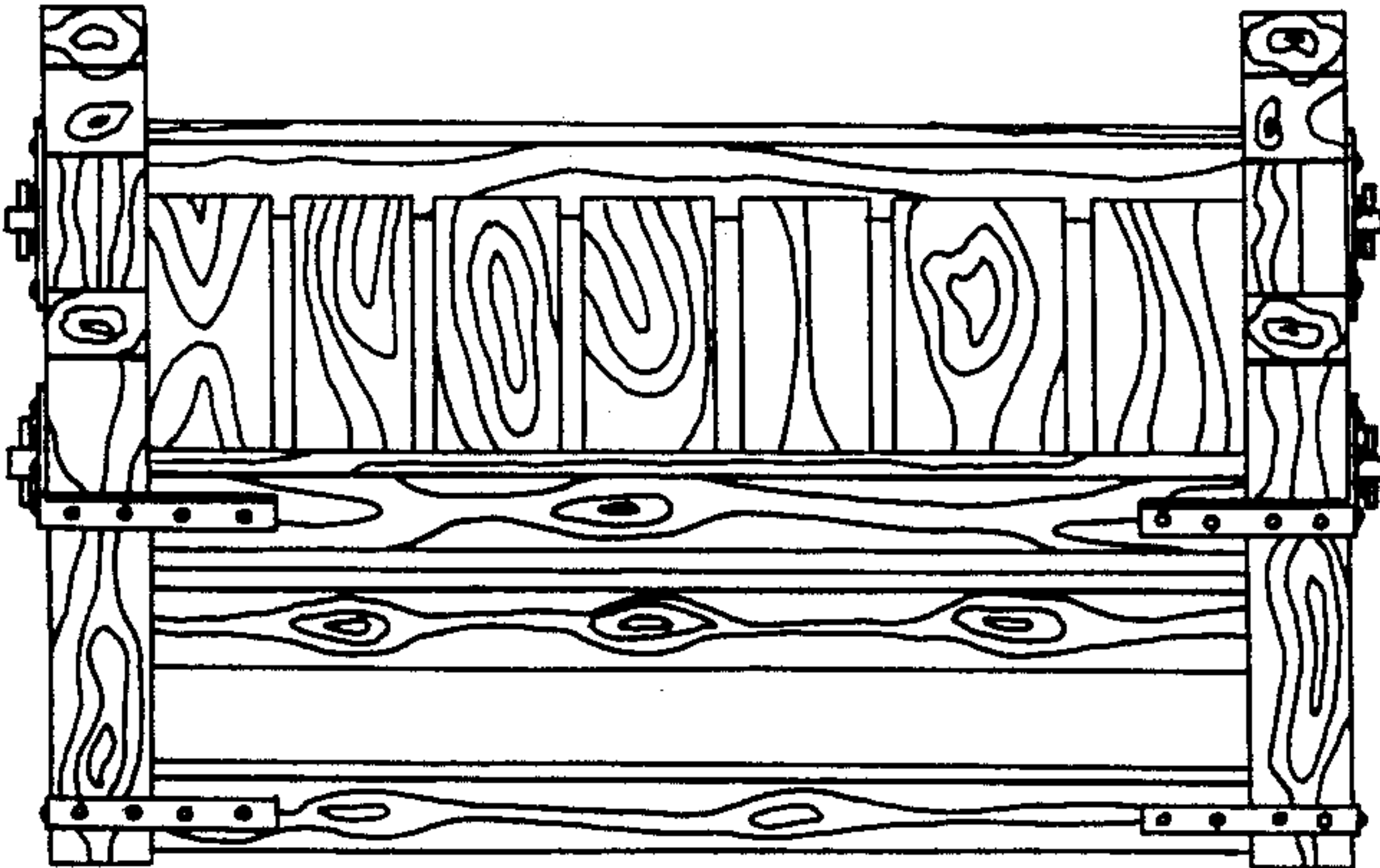


Fig. 3