

[54] EYE MAKE-UP KIT
 [75] Inventor: E. Vincent Santurbane, Centerville, Ohio
 [73] Assignee: Fashion Optics, Inc.
 [**] Term: 14 Years
 [21] Appl. No.: 630,525
 [22] Filed: Nov. 10, 1975
 [51] Int. Cl. D28-03
 [52] U.S. Cl. D28/76
 [58] Field of Search D86/10 A, 10 H, 10 N;
 D16/12, 15, 17, 18; 206/6, 235, 823; 132/79 R,
 79 F, 79 G, 82 R, 83 R, 83 E; 240/6.45 R, 6.45
 P

D. 233,078 10/1974 Mullins D86/10 N

Primary Examiner—Joel Stearman
 Assistant Examiner—Louis S. Zarfes
 Attorney, Agent, or Firm—Lawrence B. Biebel

[57] CLAIM

The ornamental design for an eye make-up kit, substantially as shown and described.

DESCRIPTION

FIG. 1 is a perspective view of an eye make-up kit showing my new design in closed position;
 FIG. 2 is a top plan view thereof;
 FIG. 3 is a bottom plan view thereof;
 FIG. 4 is a front elevational view;
 FIG. 5 is a rear elevational view;
 FIG. 6 is a right side elevational view;
 FIG. 7 is a perspective view of the kit in open position;
 FIG. 8 is a front elevational view of the kit in open position;
 FIG. 9 is a side elevational view of the kit in open position; and
 FIG. 10 is a rear elevational view of the kit in open position.

[56] References Cited

U.S. PATENT DOCUMENTS

339,267	4/1886	Closs	206/6
3,163,364	12/1964	Ritter et al.	D86/10 H
D. 96,133	7/1935	Reilly	D86/10 N
D. 183,462	9/1958	Maiershofer	D16/15
D. 221,117	7/1971	Jacobs	D86/10 N

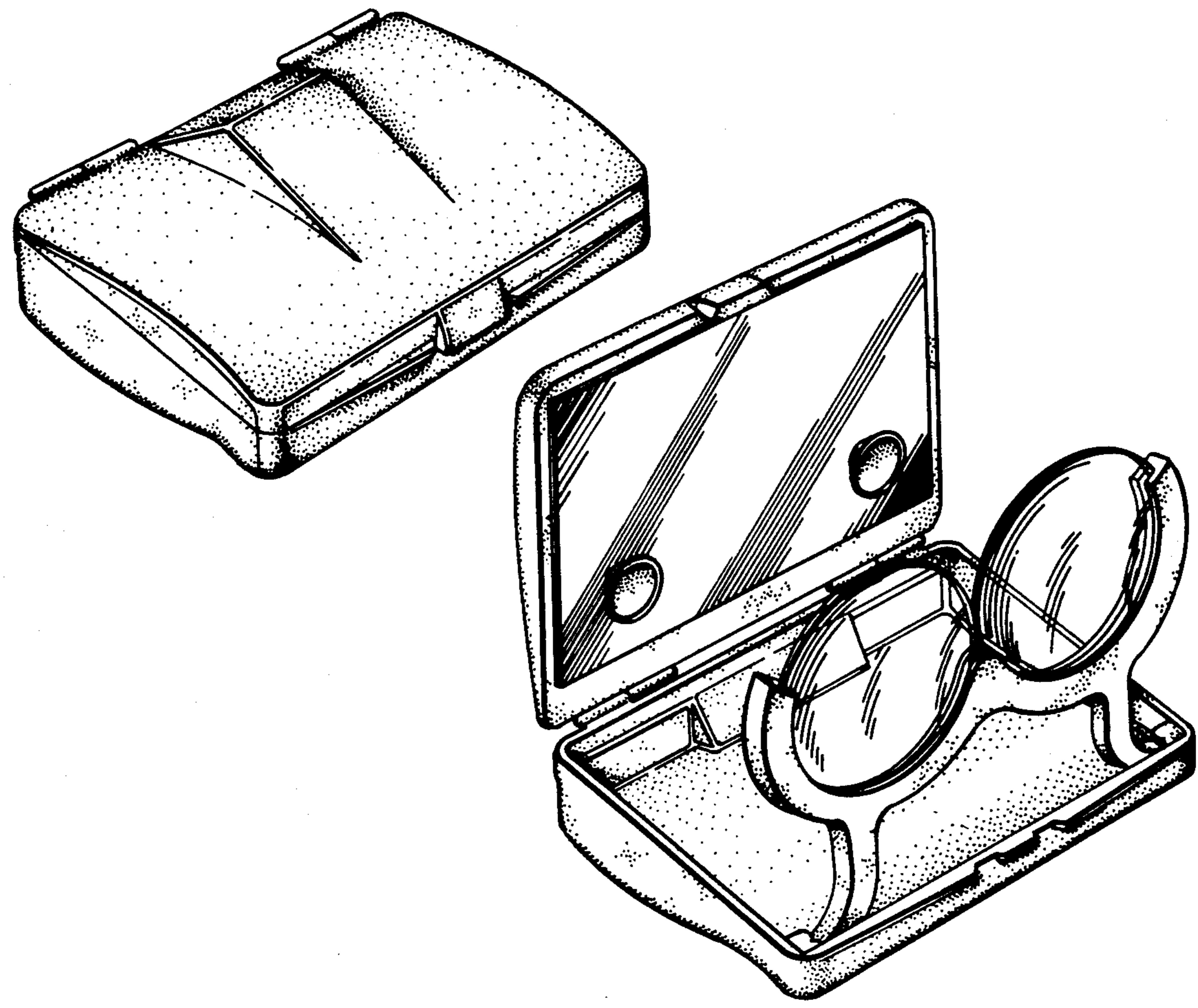


FIG-1

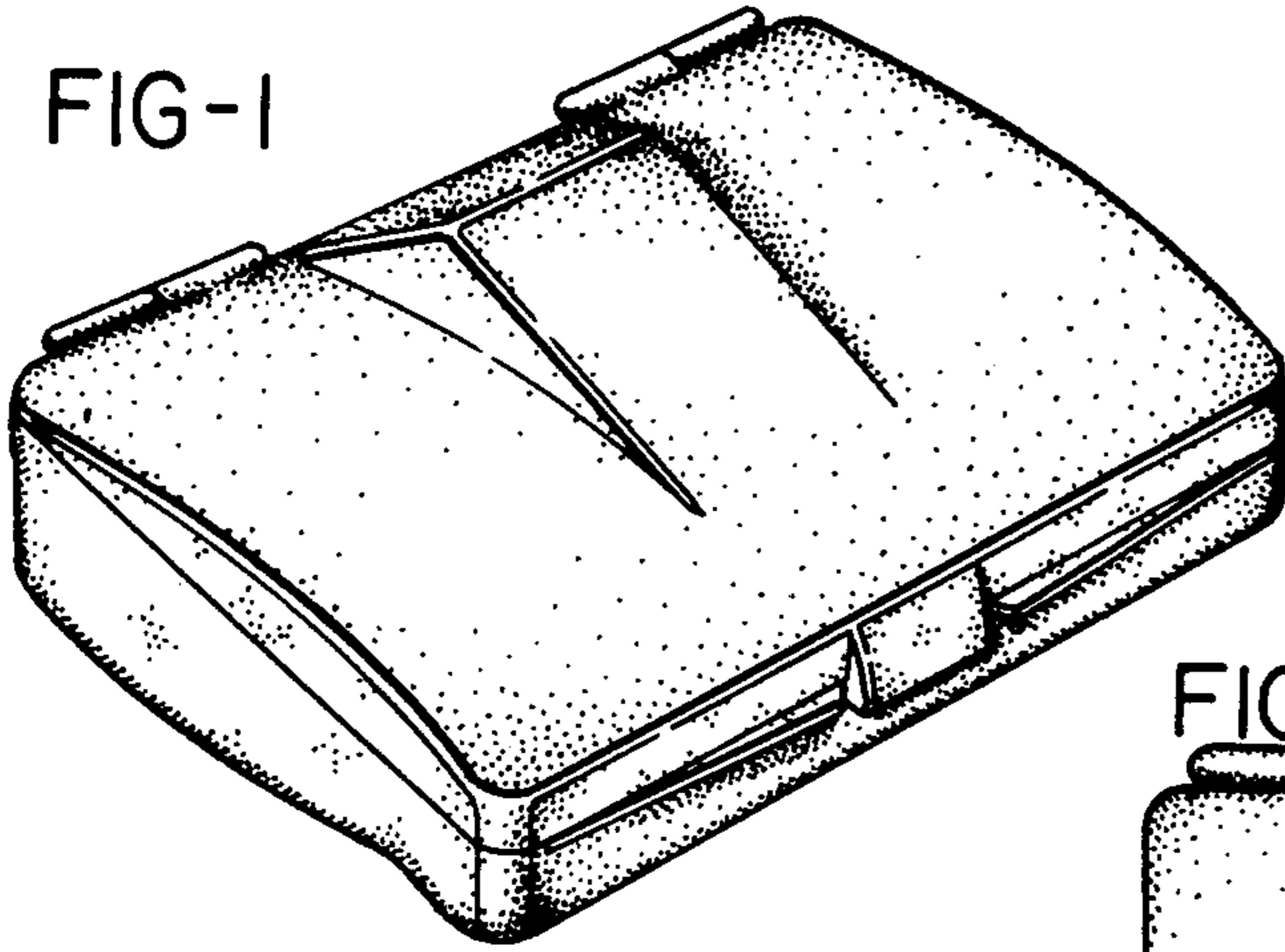


FIG-2

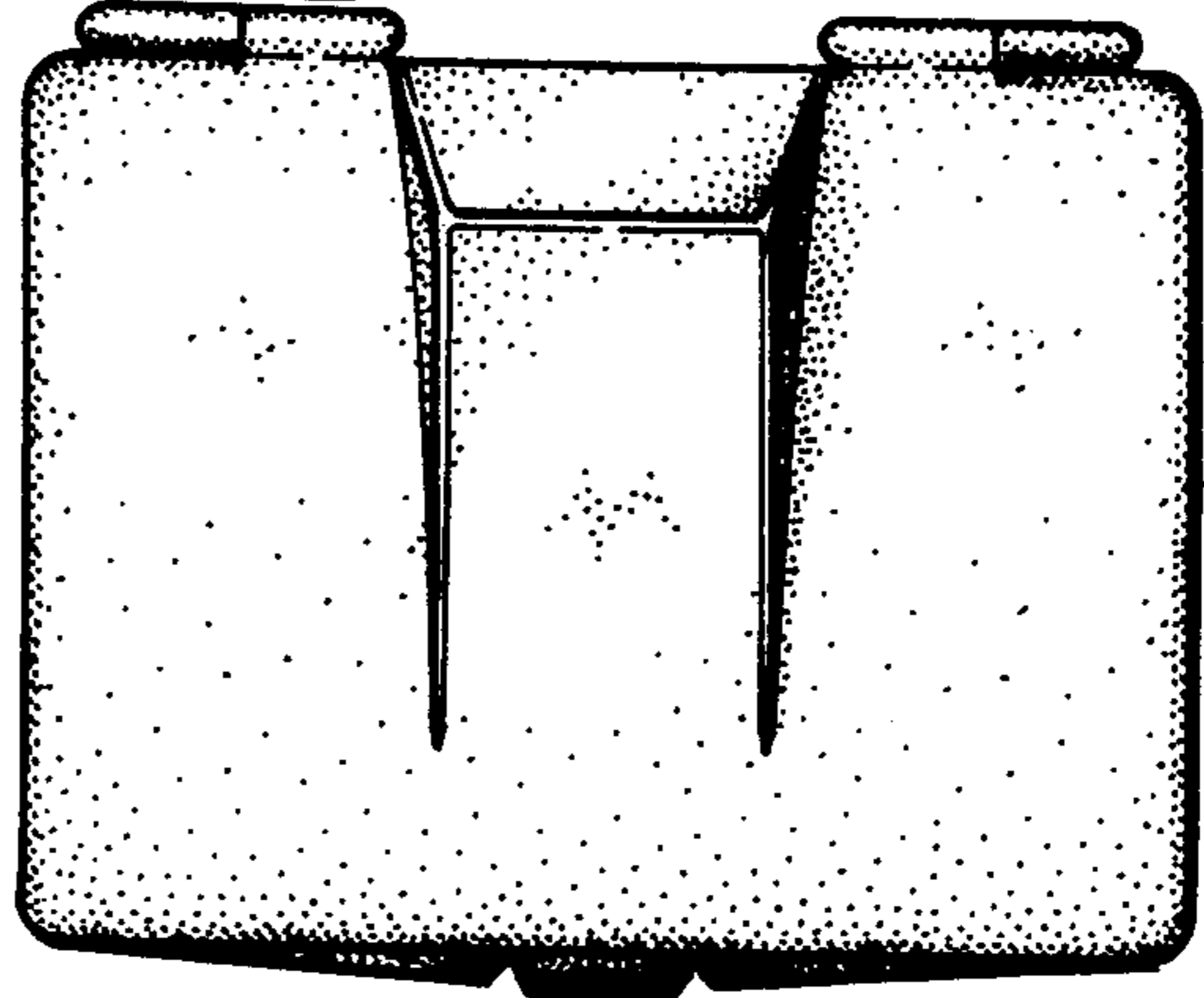


FIG-3

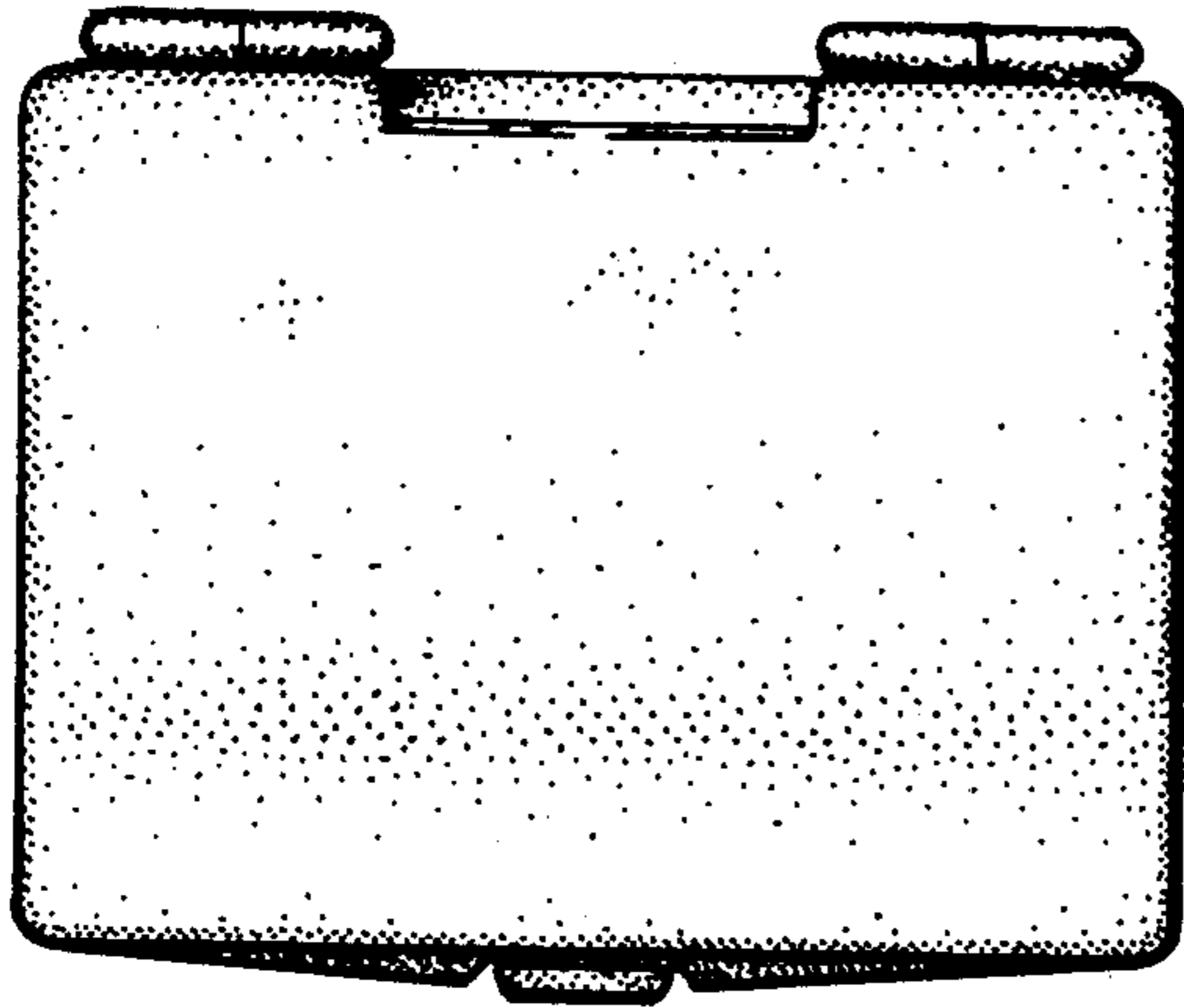


FIG-4

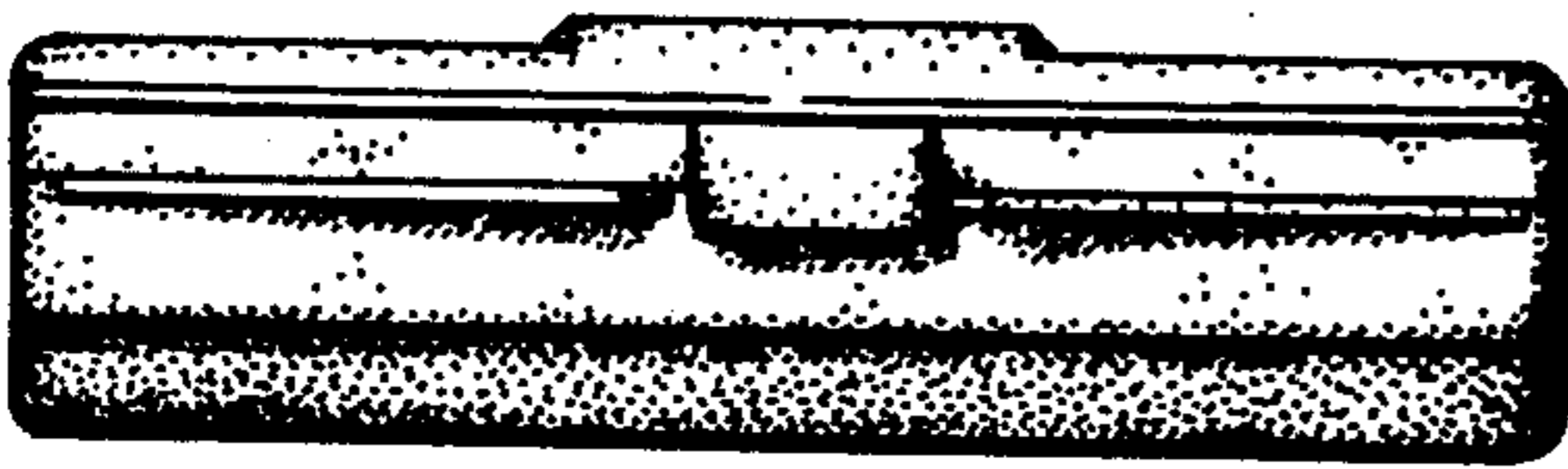


FIG-5

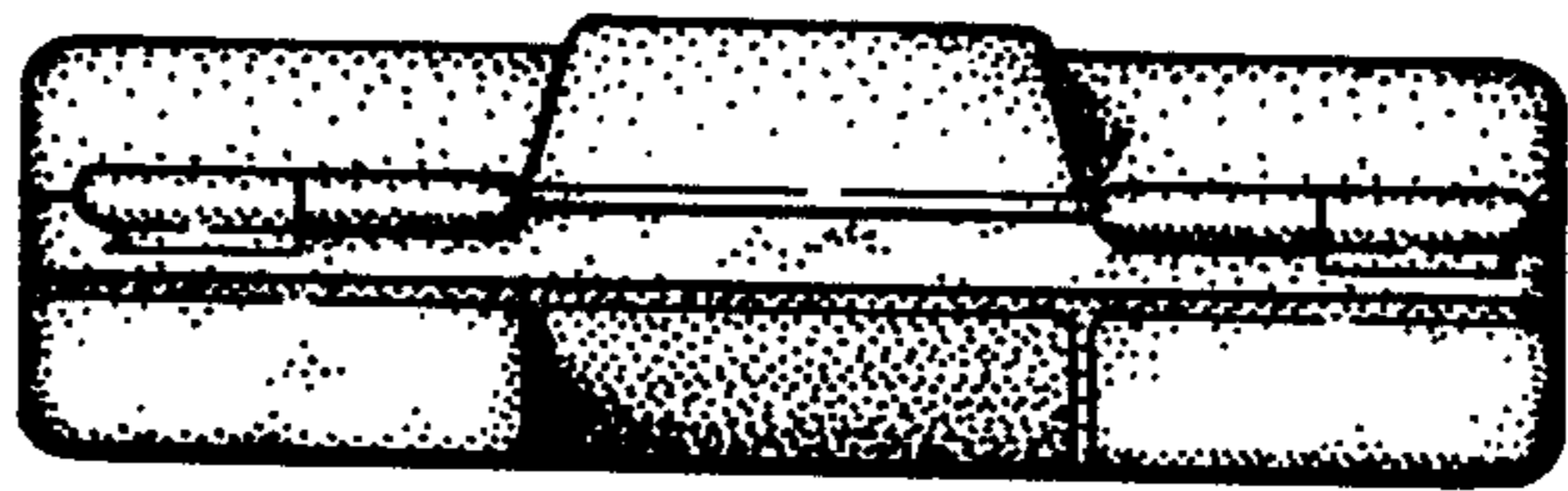


FIG-6

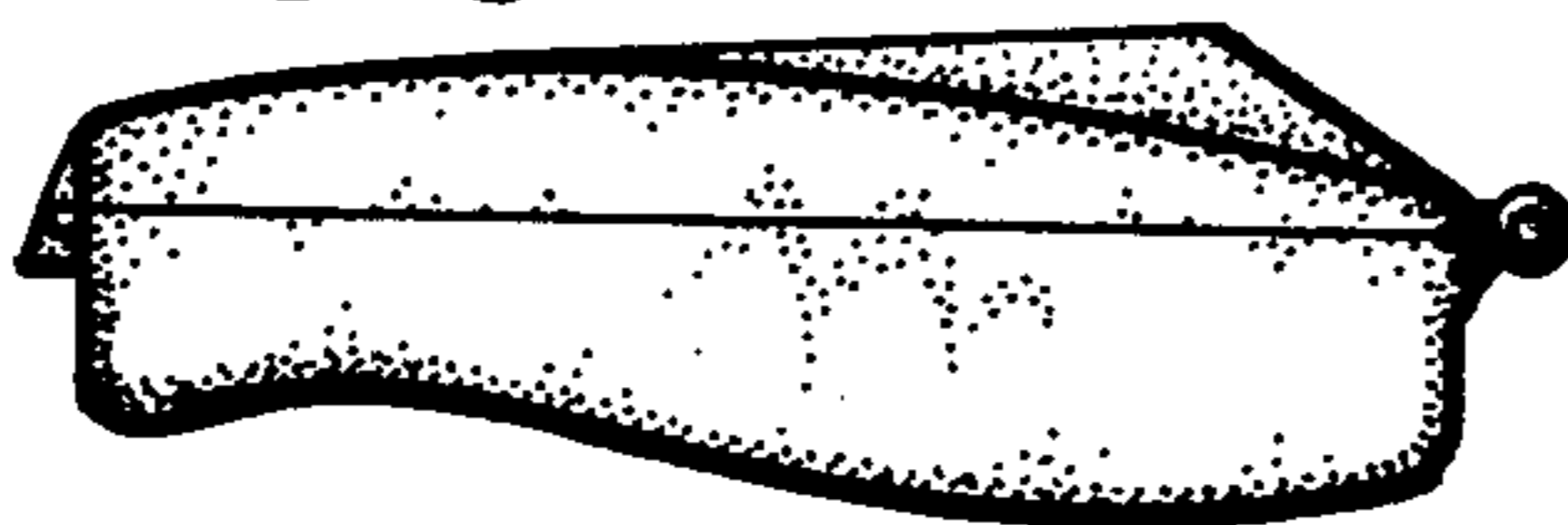


FIG-7

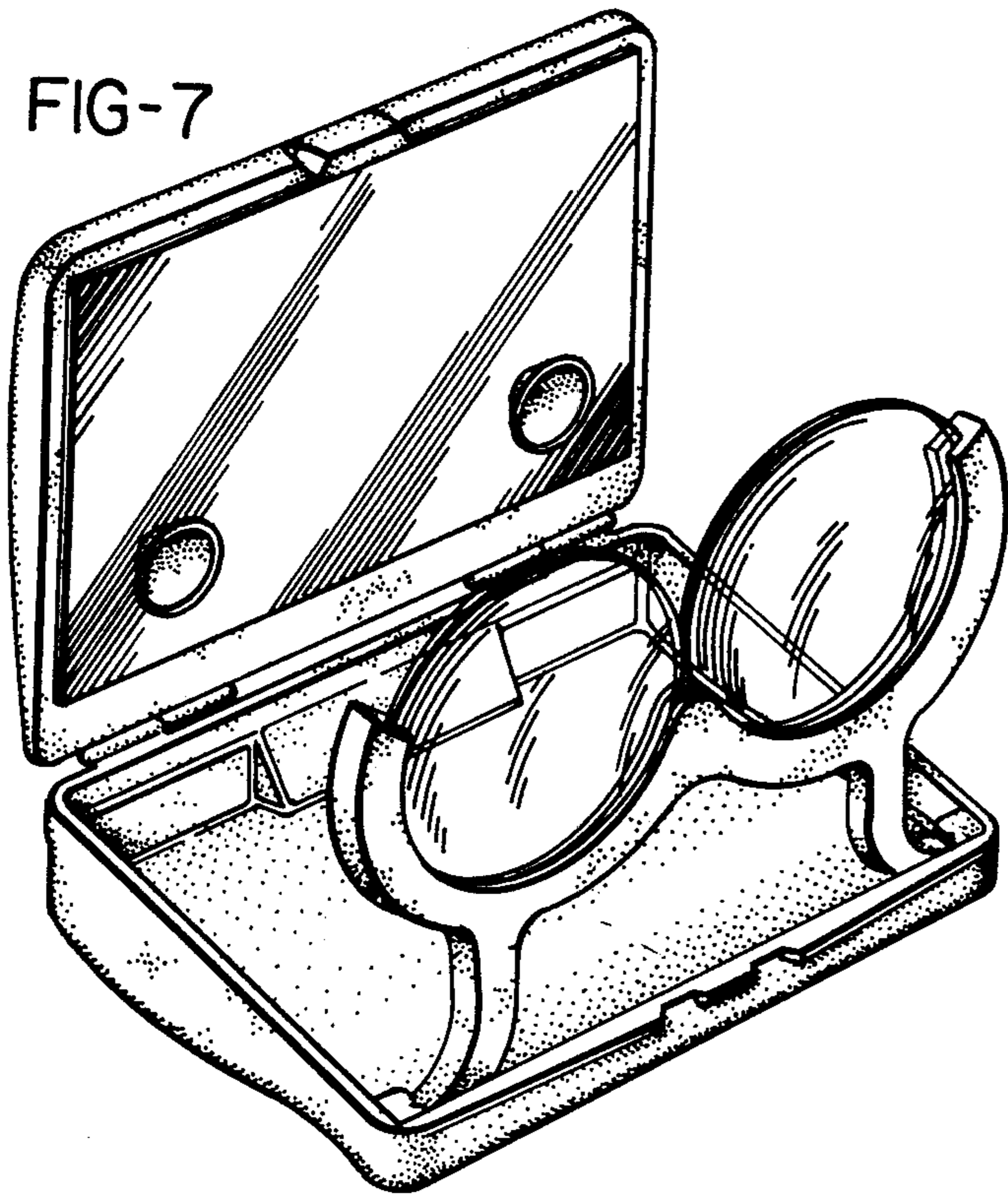


FIG-9

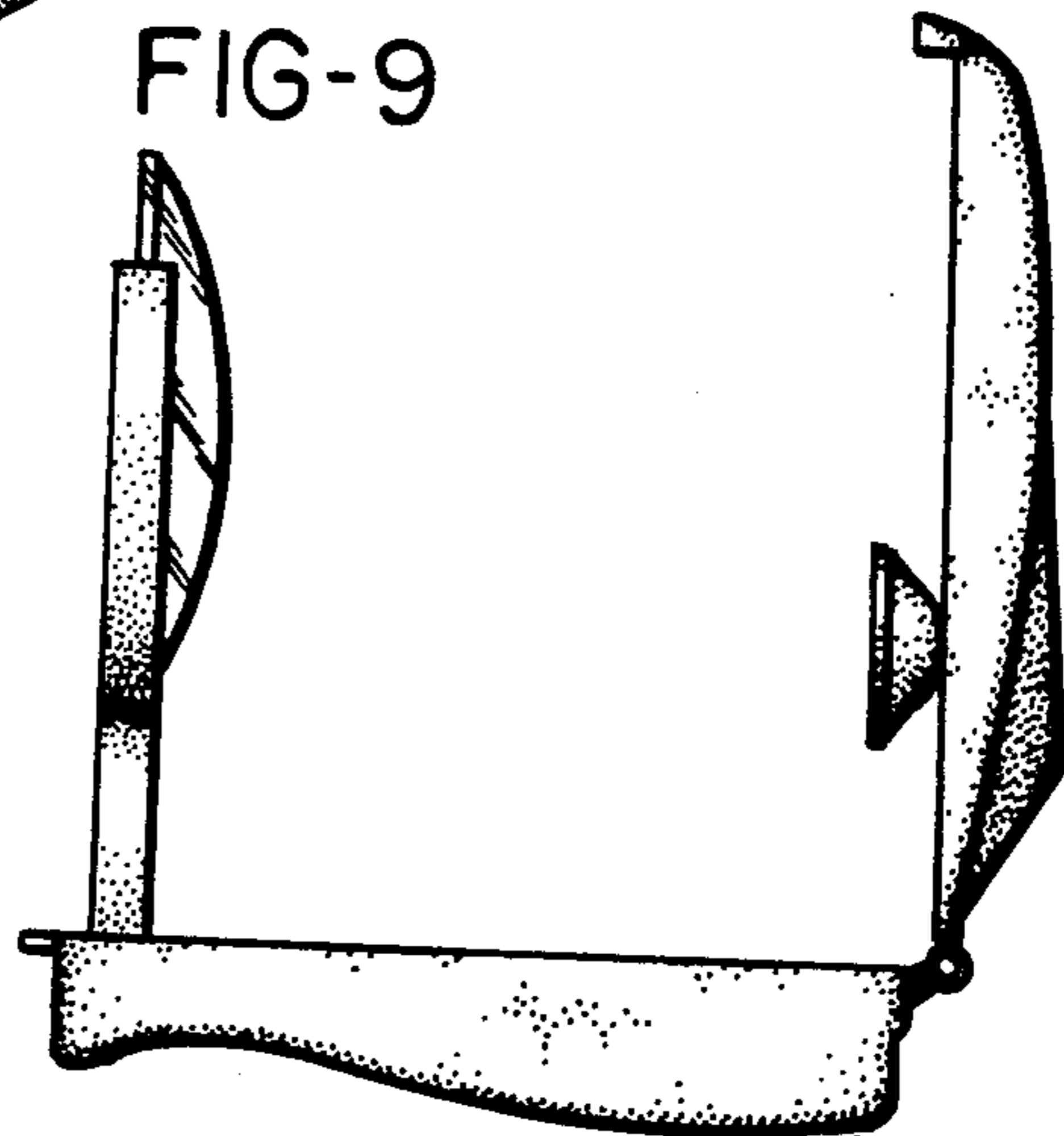


FIG-8

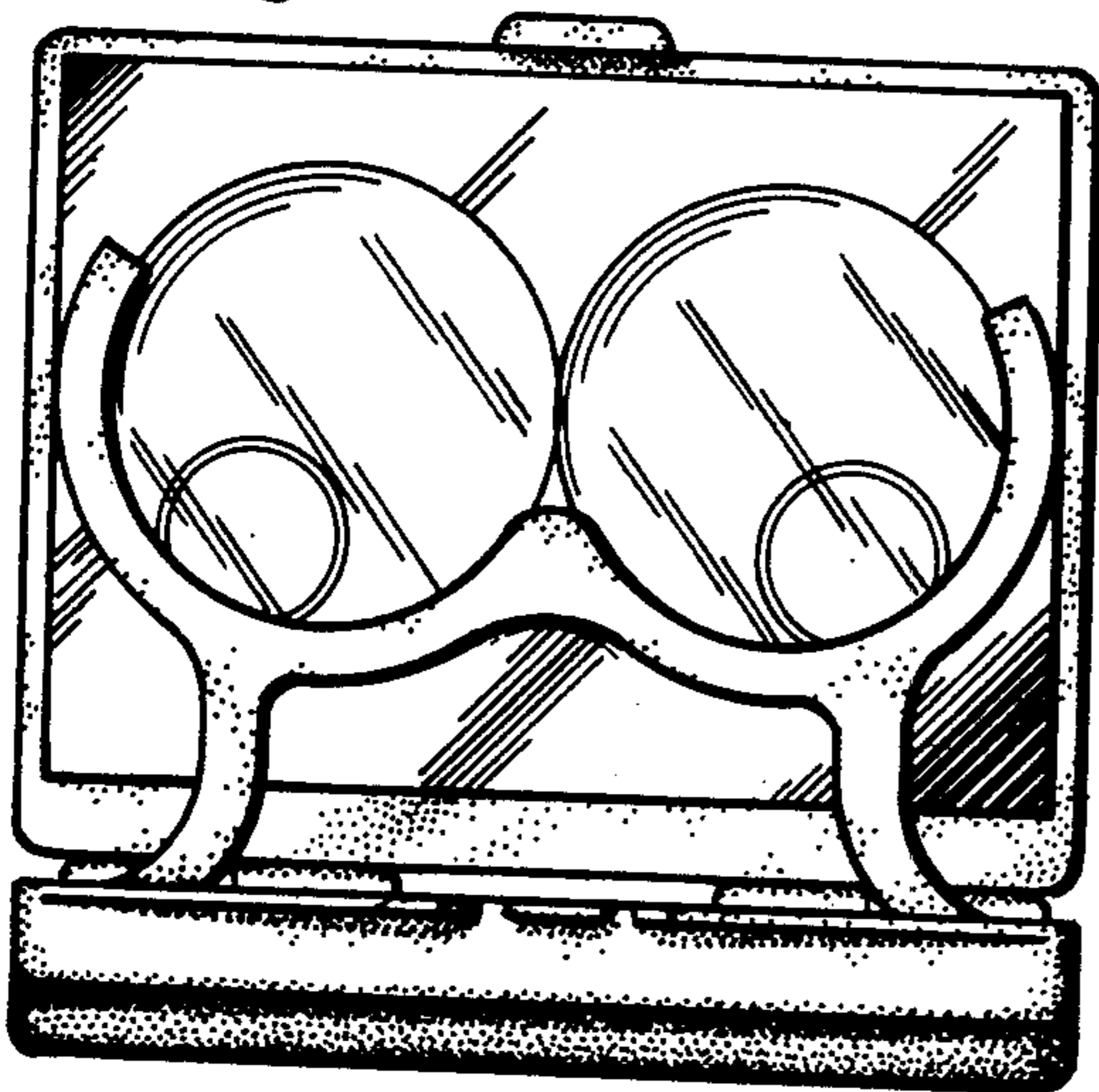


FIG-10

