

[54] VERTICALLY ADJUSTABLE BALL COCK

[76] Inventor: Adolf Schoepe, 1620 N. Raymond Ave., Fullerton, Calif. 92631

[\*\*] Term: 14 Years

[21] Appl. No.: 706,524

[22] Filed: July 19, 1976

[51] Int. Cl. .... D23-01

[52] U.S. Cl. .... D23/40

[58] Field of Search ..... D23/33-47, D23/41, 67 R; 137/426, 429, 430, 432, 433

[56] References Cited

U.S. PATENT DOCUMENTS

3,194,070	7/1965	Grant .....	137/432
3,554,219	1/1971	Hudson .....	137/432
3,584,644	6/1971	Morken .....	137/426
3,693,649	9/1972	Gordon et al. ....	137/432

D. 108,228	2/1938	Arbogast .....	D23/40
D. 119,583	3/1940	Arbogast .....	D23/40
D. 195,807	7/1963	Goldtrap .....	D23/40
D. 206,850	1/1967	Schoepe et al. ....	D23/40
D. 208,185	7/1967	McLarty .....	D23/33
D. 214,050	5/1969	Hudson .....	D23/40

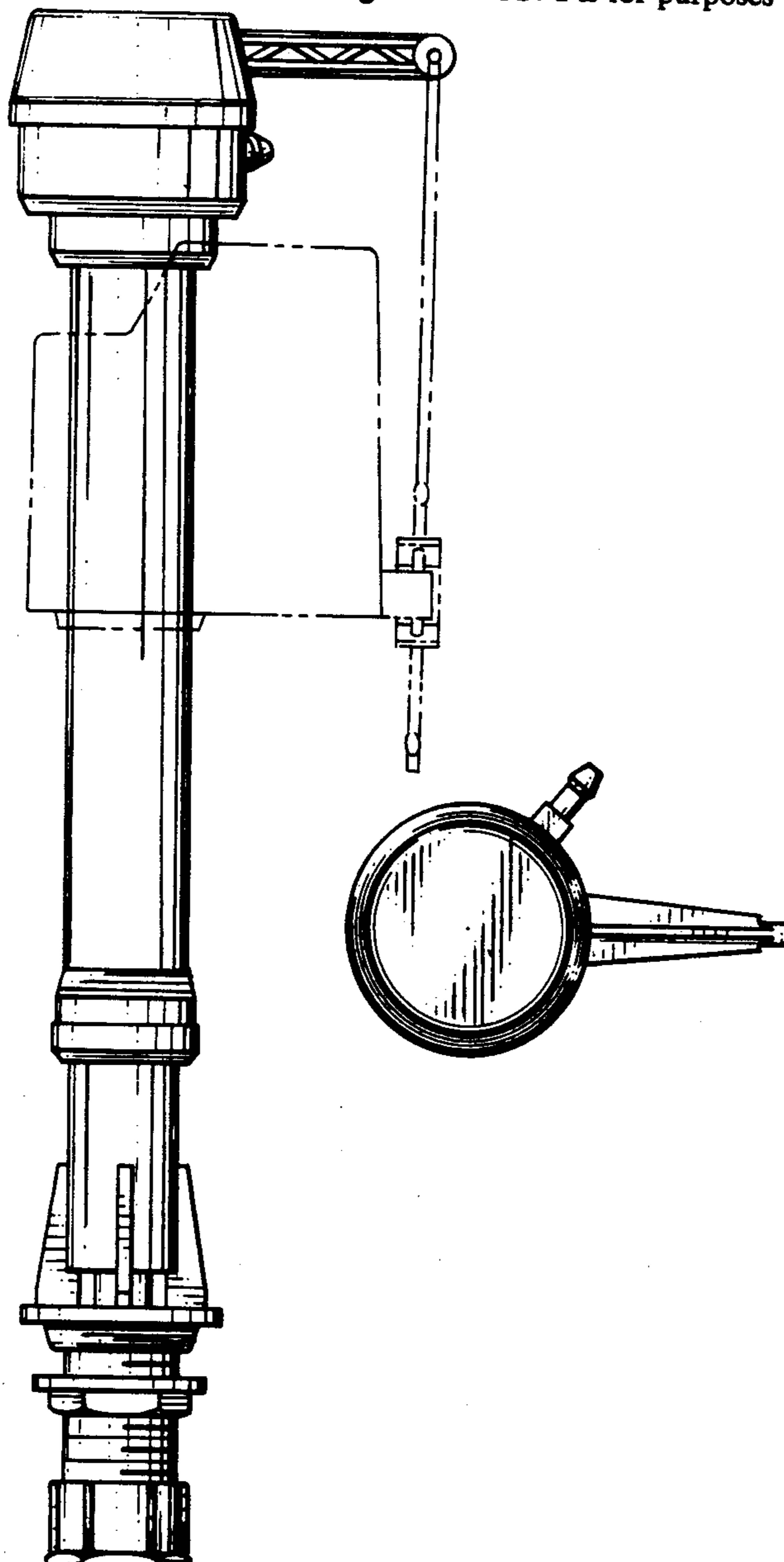
Primary Examiner—James R. Largen  
Attorney, Agent, or Firm—Thomas P. Mahoney

[57] CLAIM

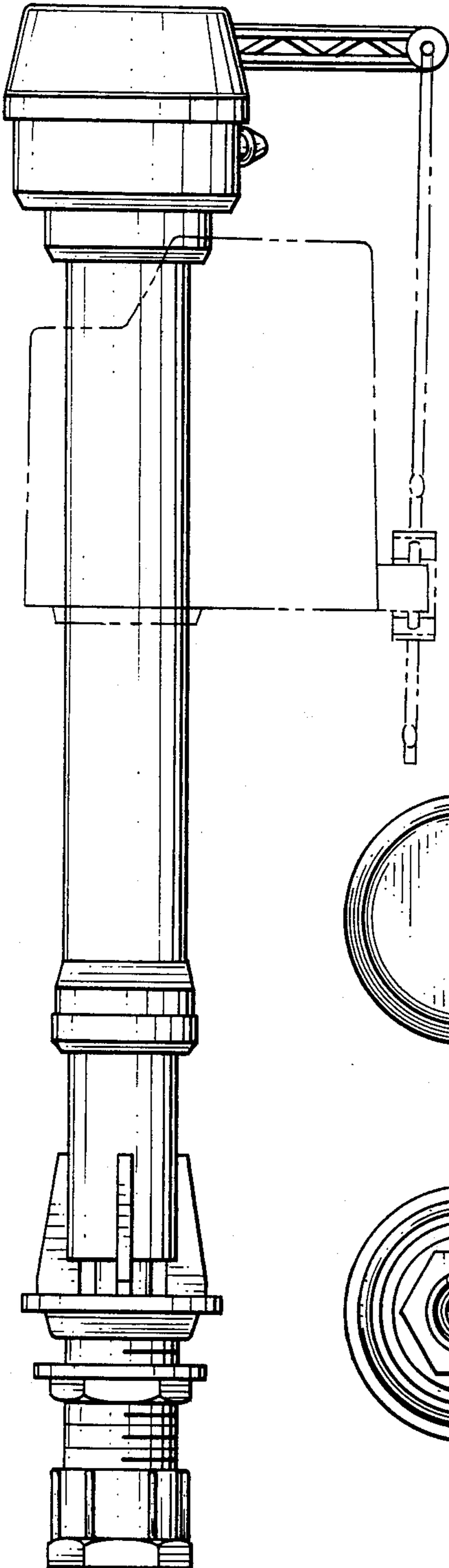
The ornamental design for vertically adjustable ball cock, as shown and described.

DESCRIPTION

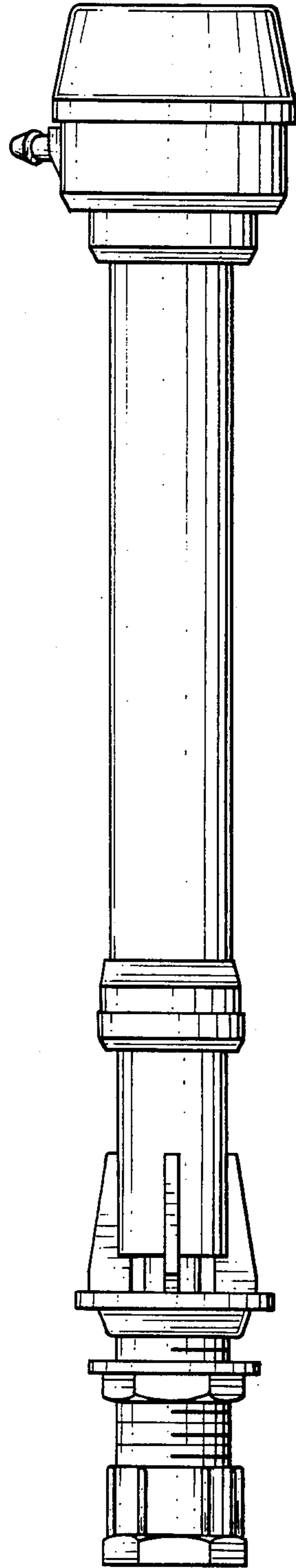
FIG. 1 is a front elevational view of a vertically adjustable ball cock showing my new design; FIG. 2 is a top plan view thereof; FIG. 3 is a bottom plan view thereof; FIG. 4 is a left side elevational view thereof; FIG. 5 is a rear elevational view thereof; and FIG. 6 is a right side elevational view thereof. The broken line representation of a float and its connecting rod in FIG. 1 is for purposes of illustration only.



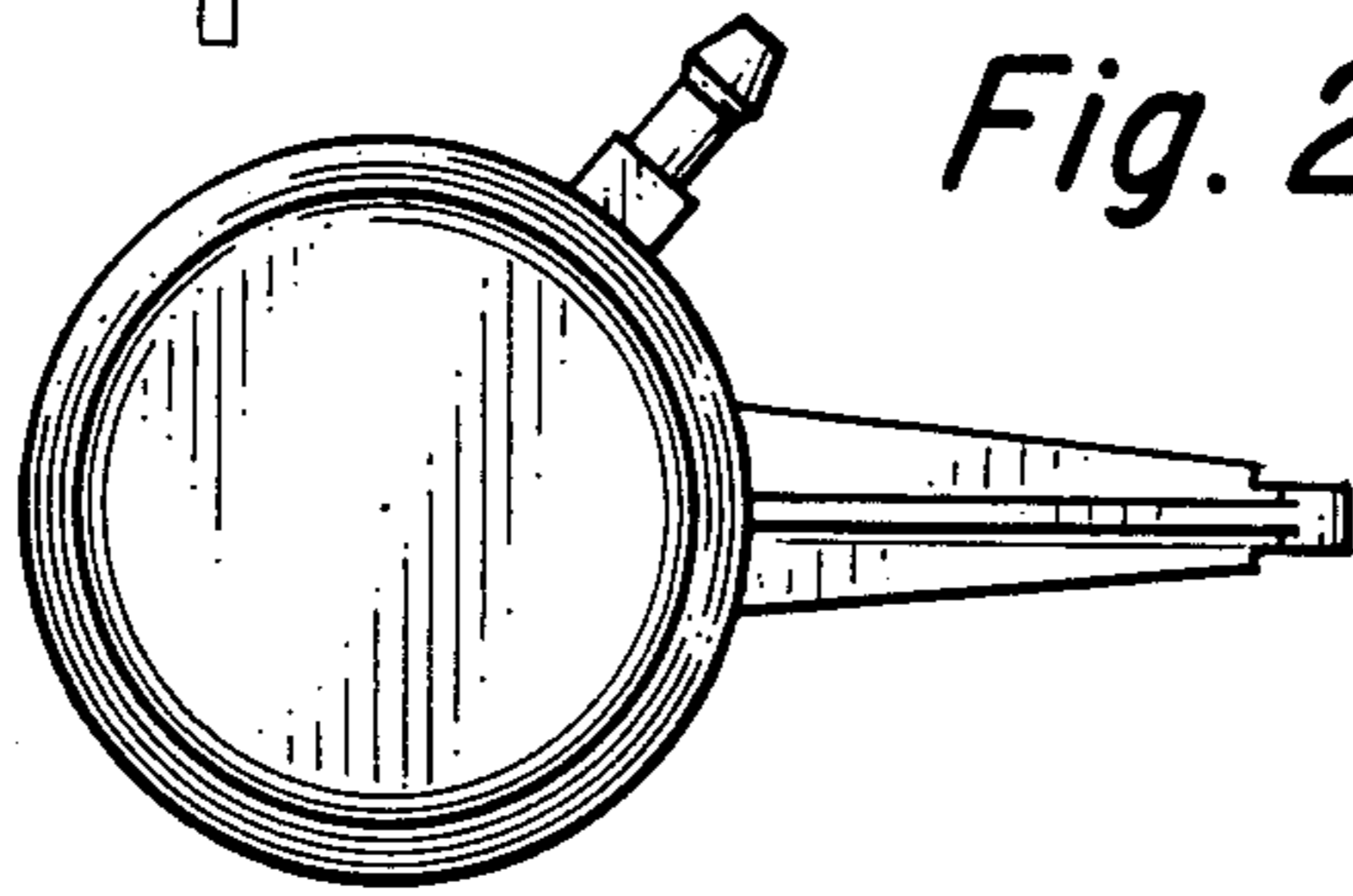
*Fig. 1*



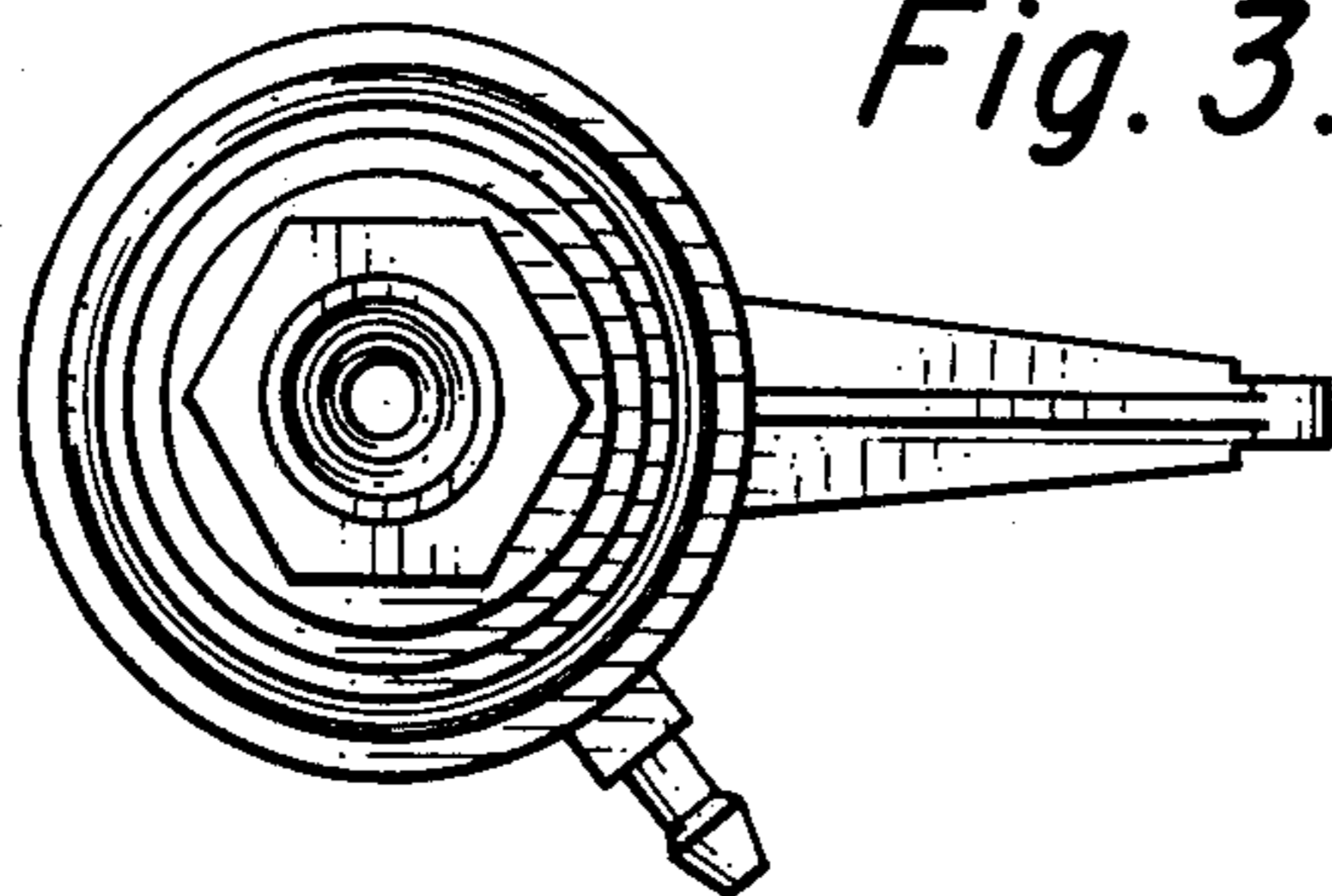
*Fig. 4.*



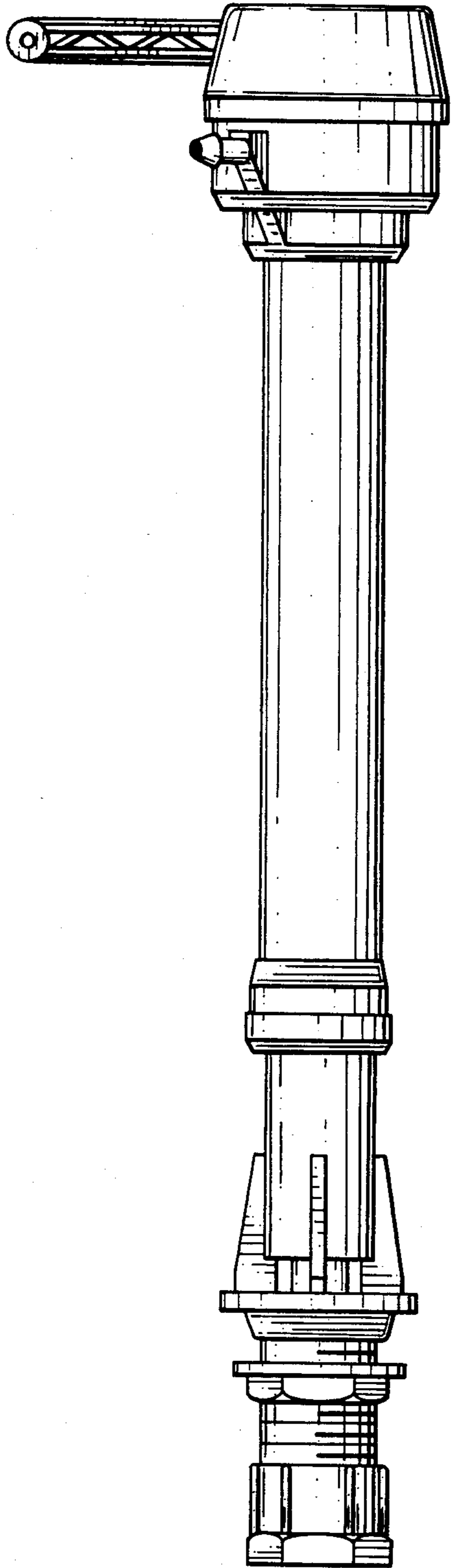
*Fig. 2.*



*Fig. 3.*



*Fig. 5.*



*Fig. 6.*

