

[54] LIST FINDER

[75] Inventor: Mel Evenson, Santa Monica, Calif.

[73] Assignee: Eldon Industries, Inc., Hawthorne, Calif.

[\*\*] Term: 14 Years

[21] Appl. No.: 708,417

[22] Filed: July 26, 1976

Related U.S. Application Data

[62] Division of Ser. No. 541,425, Jan. 16, 1975, Pat. No. Des. 243,604.

[51] Int. Cl. .... D19-02

[52] U.S. Cl. .... D19/76

[58] Field of Search ..... D19/76, 20, 65, 75, D19/92; 40/102, 104.02

[56] References Cited

U.S. PATENT DOCUMENTS

D. 114,090	4/1939	Meier .....	D19/76
D. 191,931	12/1961	Kamp .....	D19/76
D. 198,957	8/1964	Hegemann .....	D19/76
D. 213,301	2/1969	Macowski .....	D19/76

Primary Examiner—Robert C. Spangler  
Assistant Examiner—George P. Word  
Attorney, Agent, or Firm—Edward D. O'Brian

[57] CLAIM

The ornamental design for a list finder, as shown and described.

DESCRIPTION

FIG. 1 is a perspective view of a list finder showing my new design;  
FIG. 2 is a front elevational view;  
FIG. 3 is a rear elevational view;  
FIG. 4 is a right elevational view;  
FIG. 5 is a bottom plan view; and  
FIG. 6 is a perspective view of a modified form of the list finder.

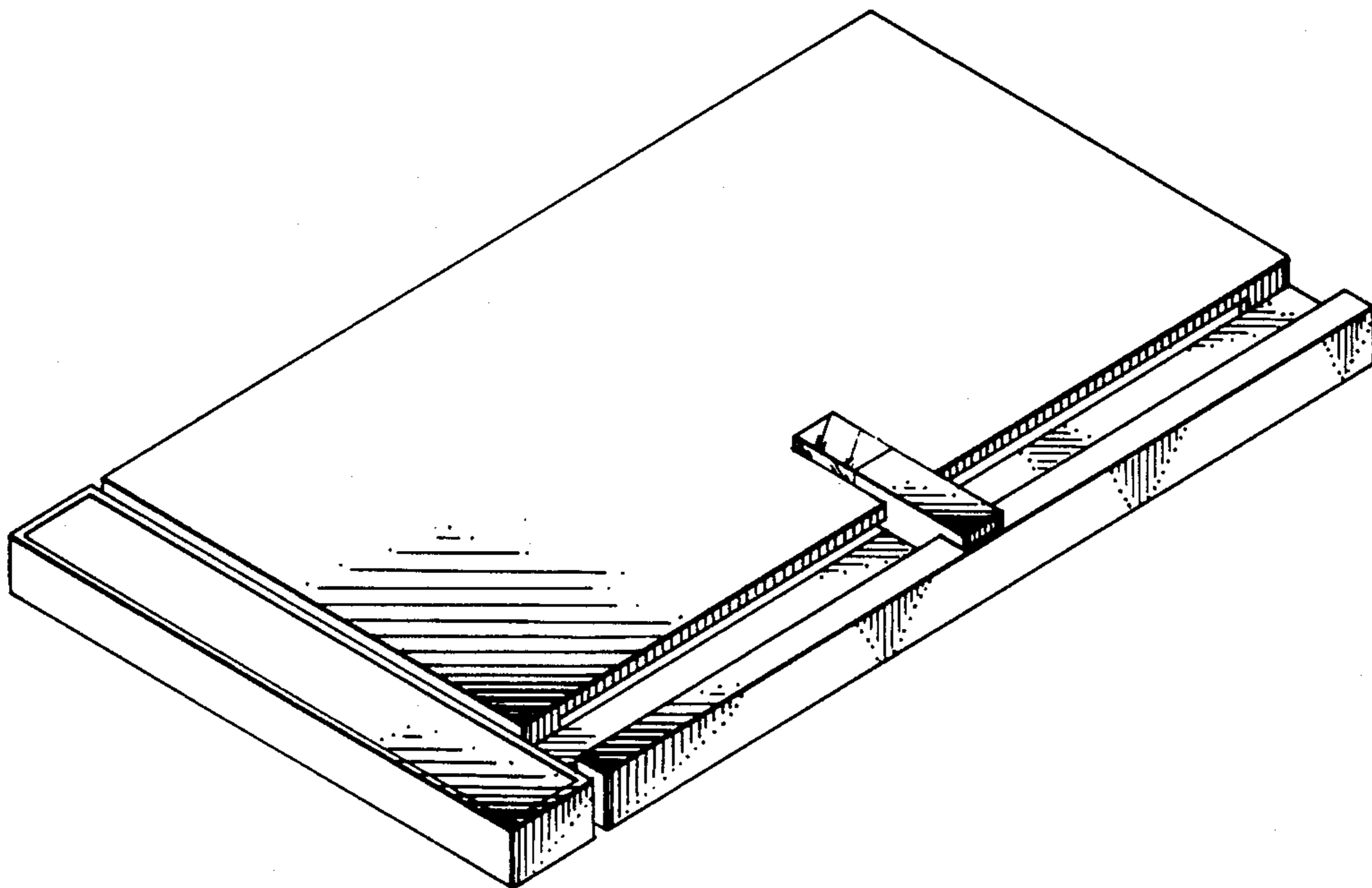


FIG. 1

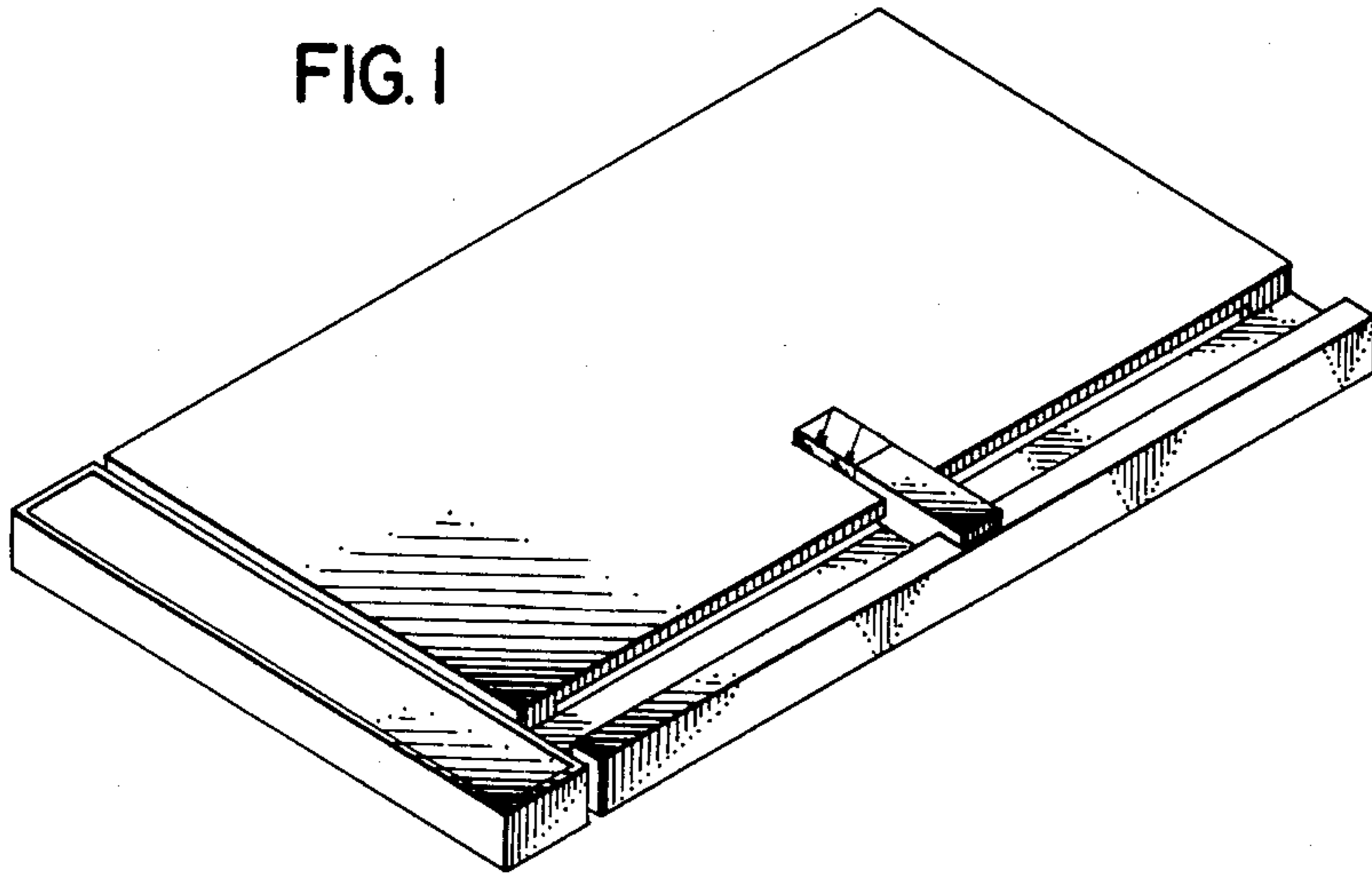


FIG. 2



FIG. 3

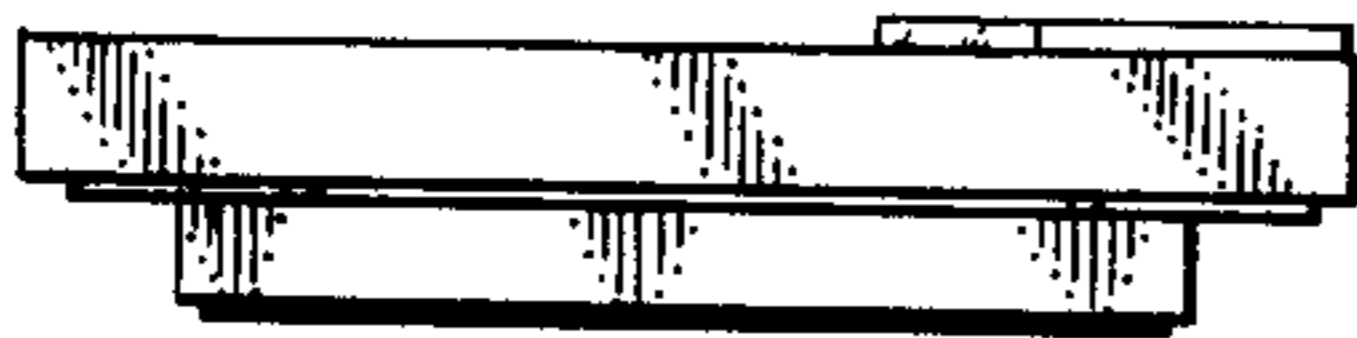


FIG. 4

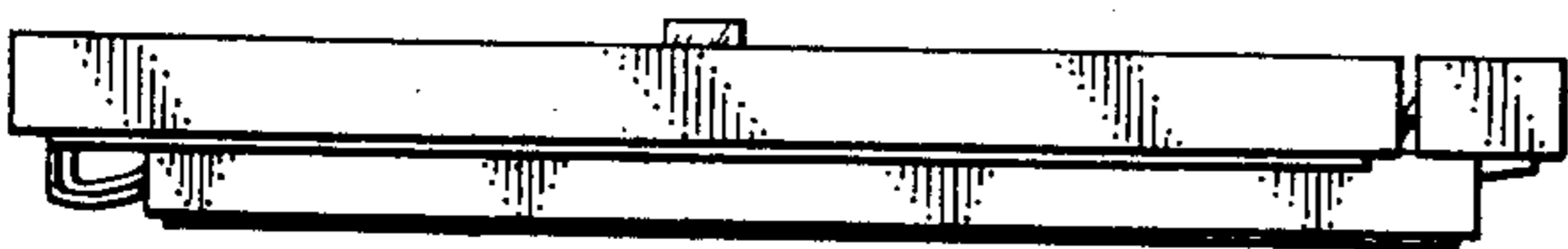
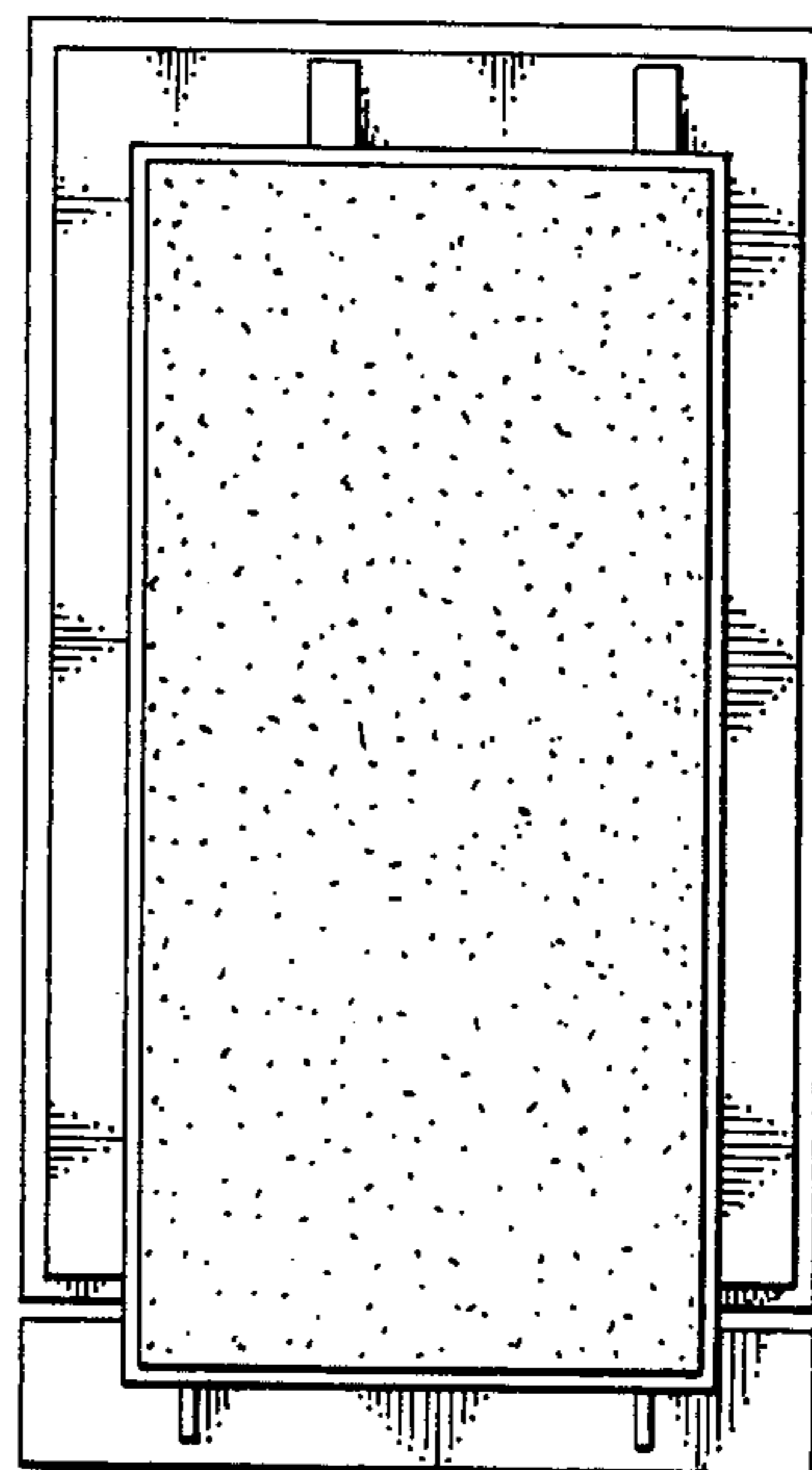


FIG. 5



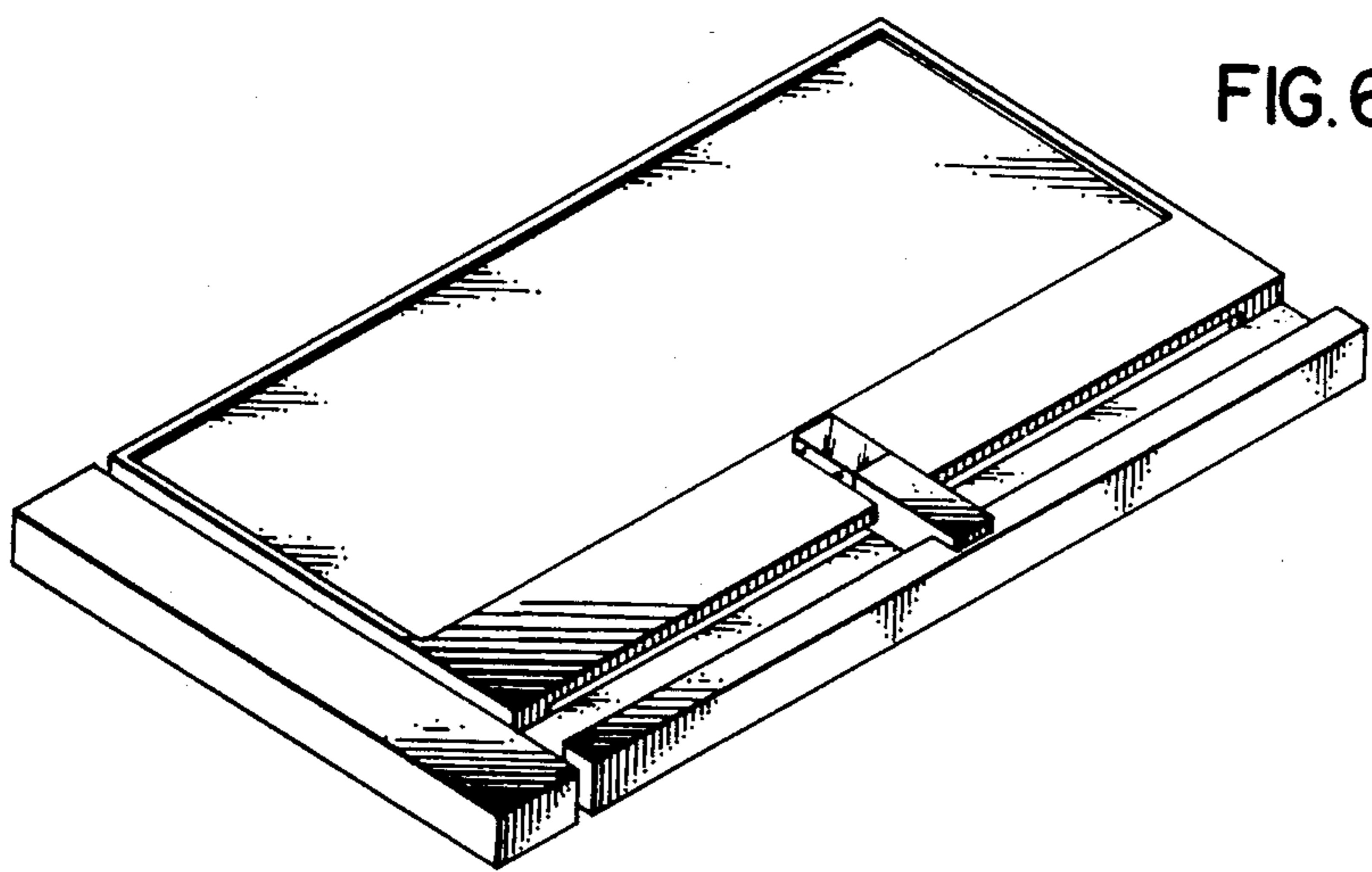


FIG. 6