

[54] HEAD FOR AN OVERHEAD PROJECTOR

[75] Inventor: Gerald E. Drake, Lucas Township, Dunn County, Minn.

[73] Assignee: Minnesota Mining and Manufacturing Company

[\*\*] Term: 14 Years

[21] Appl. No.: 642,479

[22] Filed: Dec. 19, 1975

[51] Int. Cl. .... D16-05

[52] U.S. Cl. .... D16/26

[58] Field of Search ..... D16/14-18, D16/24, 28; 353/11, 22, 23, 24, 25, 27, 39, 74, 75, 77, 119, 122

[56] References Cited

U.S. PATENT DOCUMENTS

- D. 179,047 10/1956 Wolk ..... D16/18
- D. 215,034 8/1969 Steinbach ..... D16/17

OTHER PUBLICATIONS

3M Overhead Projector Flier, 4-1968, p. 5, Model 88.

Primary Examiner—Robert C. Spangler

Assistant Examiner—C. A. Rademaker

Attorney, Agent, or Firm—Cruzan Alexander

[57] CLAIM

The ornamental design for a head for an overhead projector, substantially as shown.

DESCRIPTION

FIG. 1 is a front top and right side perspective view of a head for an overhead projector showing my new design;

FIG. 2 is a left side elevational view thereof;

FIG. 3 is a front elevational view thereof;

FIG. 4 is a top plan view thereof;

FIG. 5 is a right side elevational view thereof;

FIG. 6 is a bottom plan view thereof;

FIG. 7 is a rear elevational view thereof.

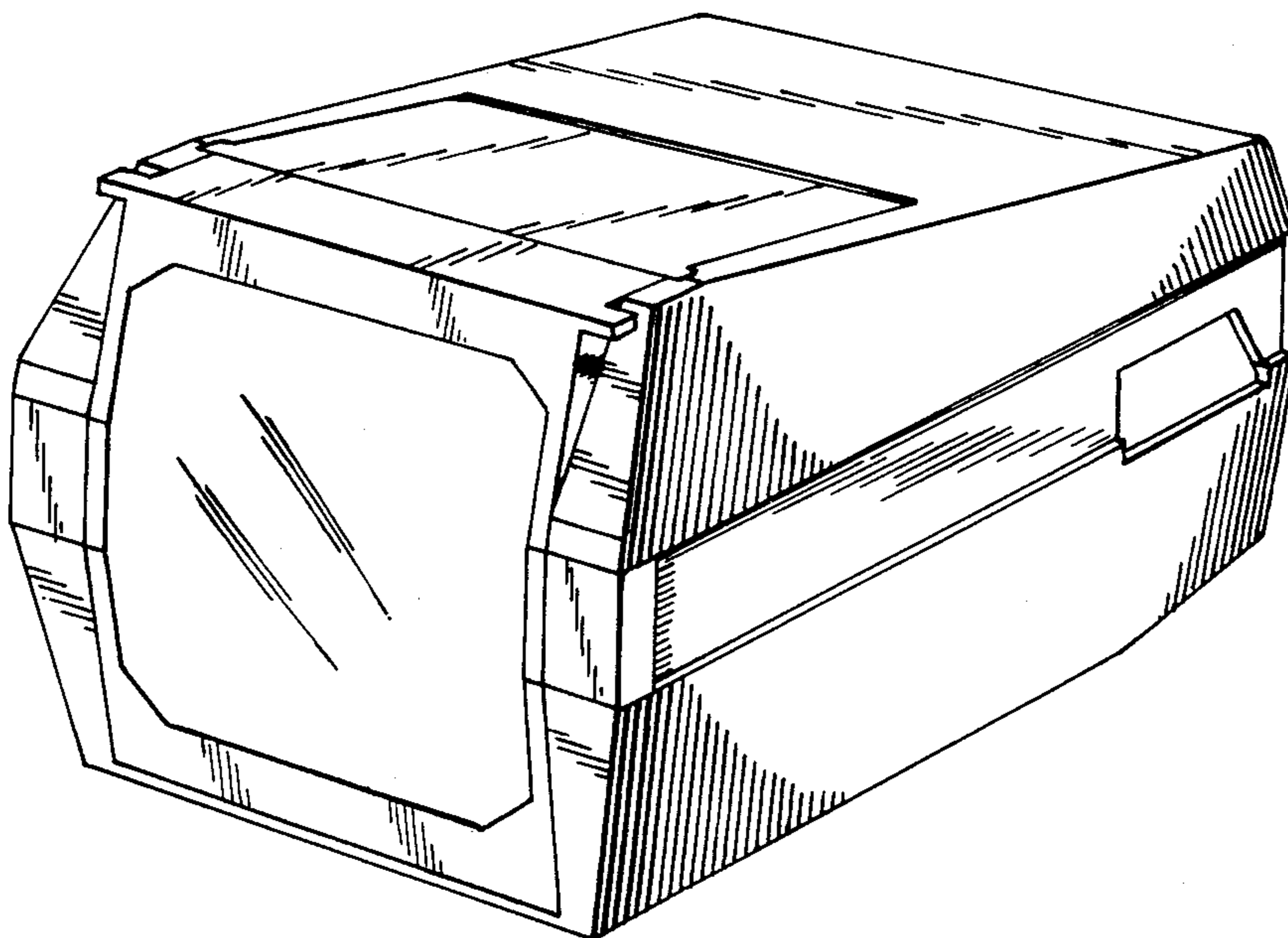


FIG. 1

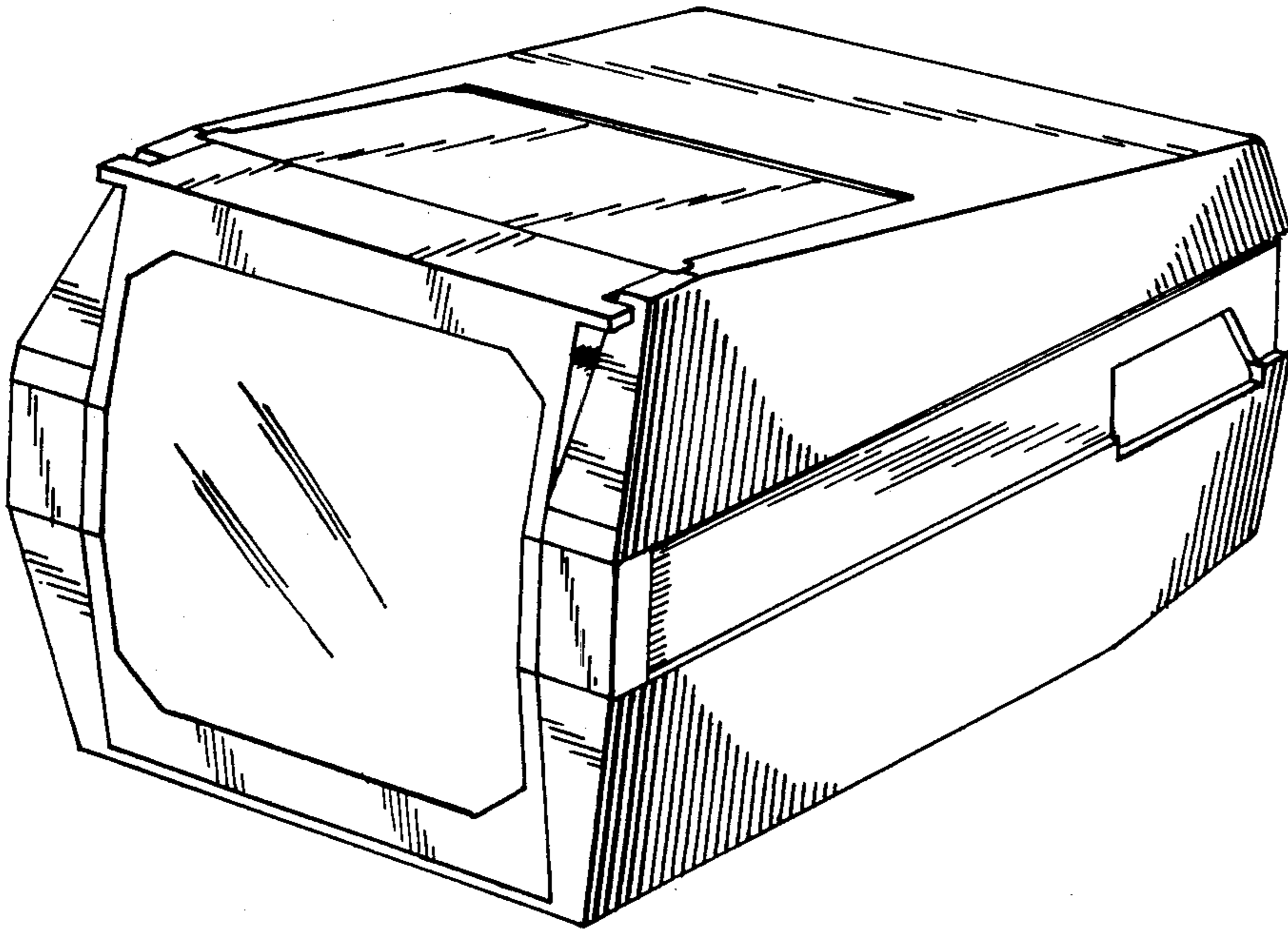


FIG. 2

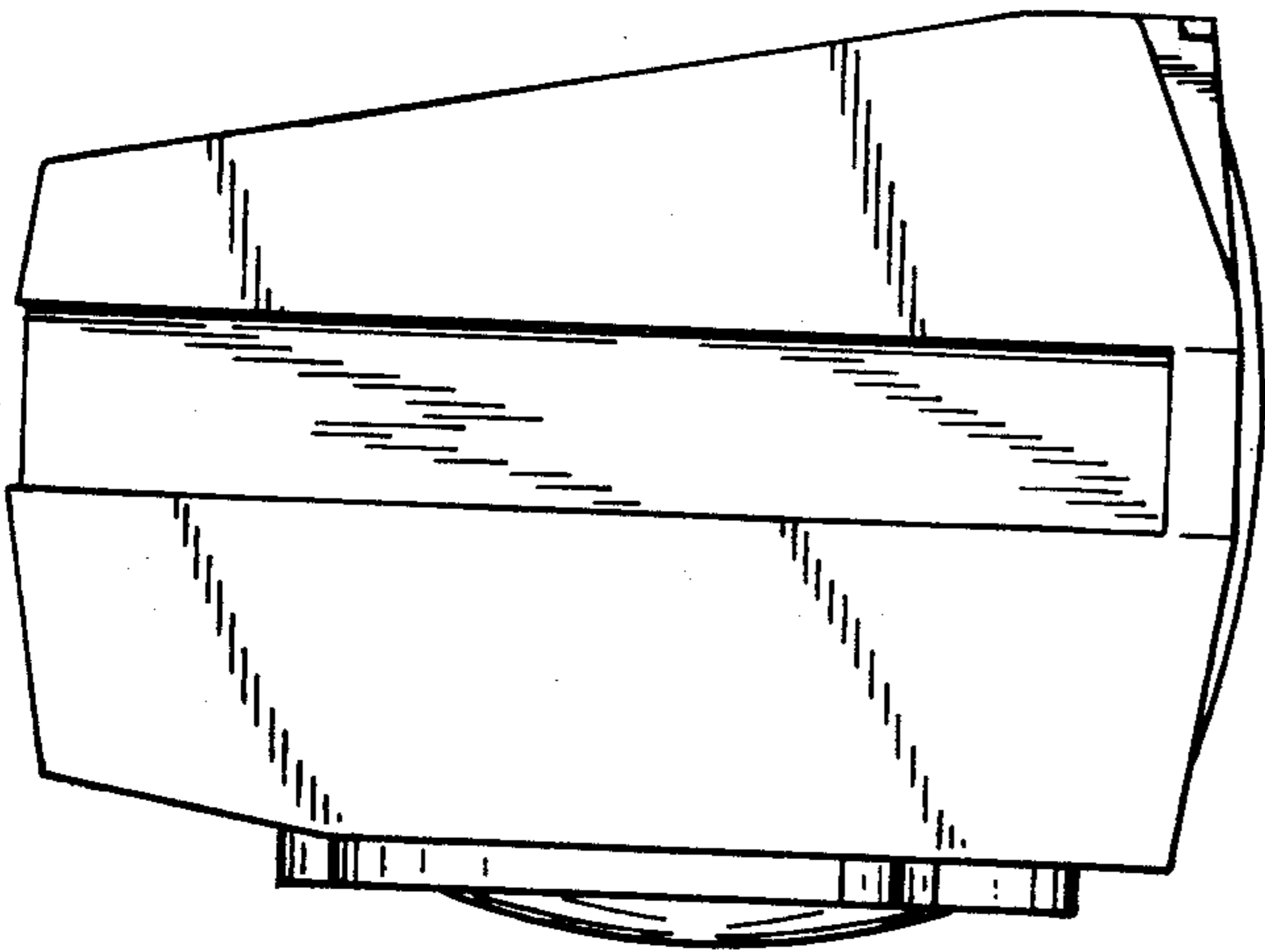
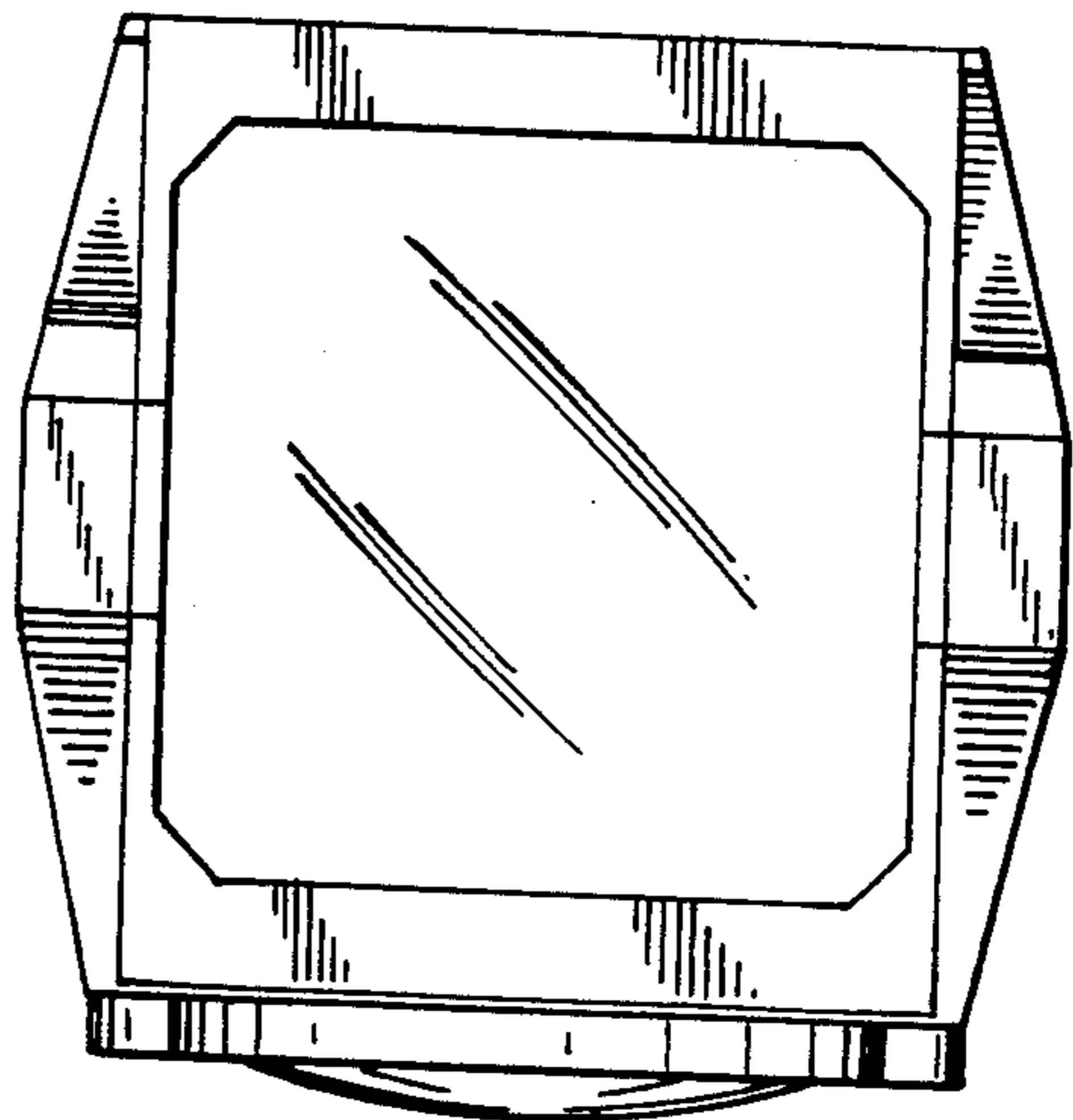


FIG. 3



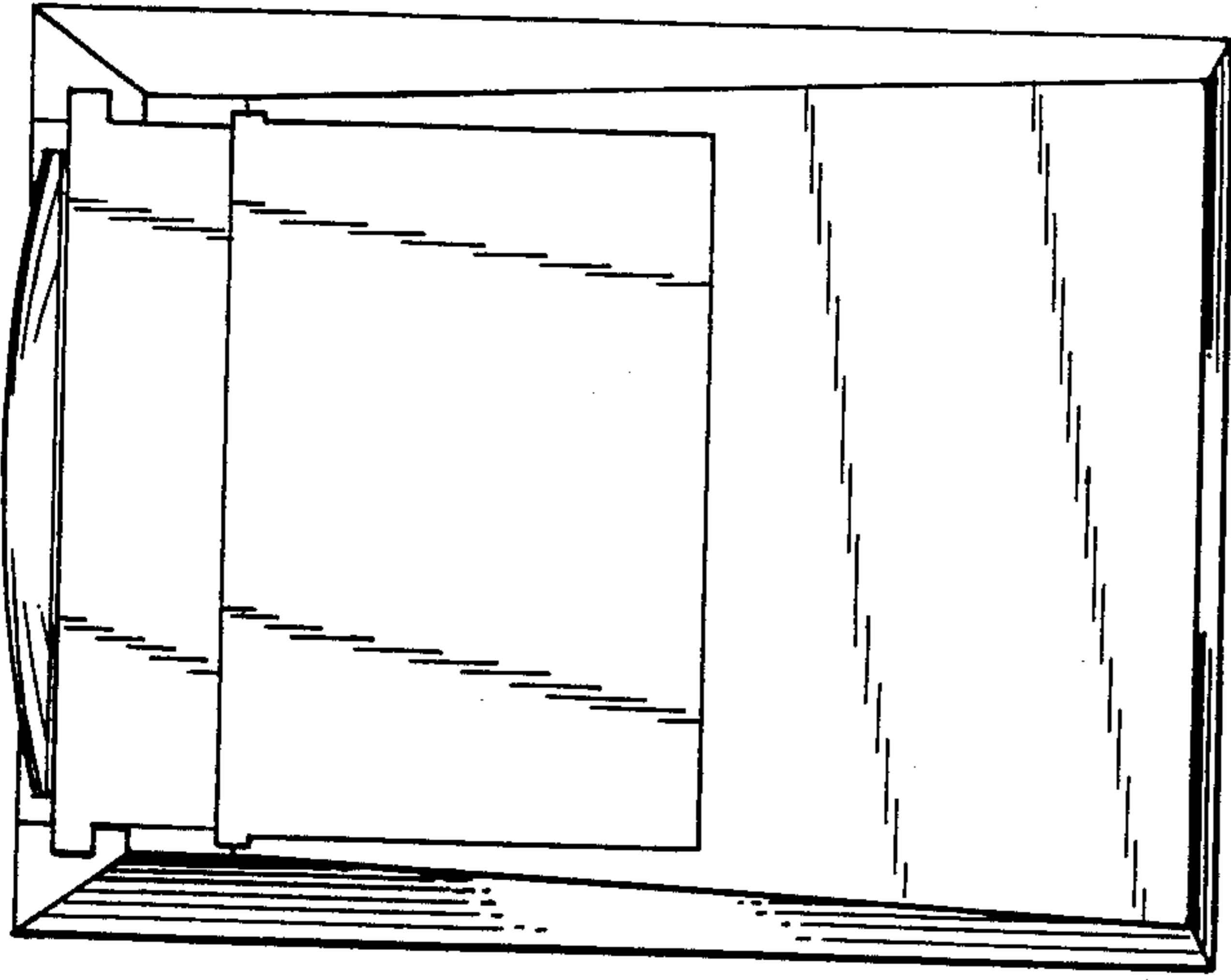


FIG. 4

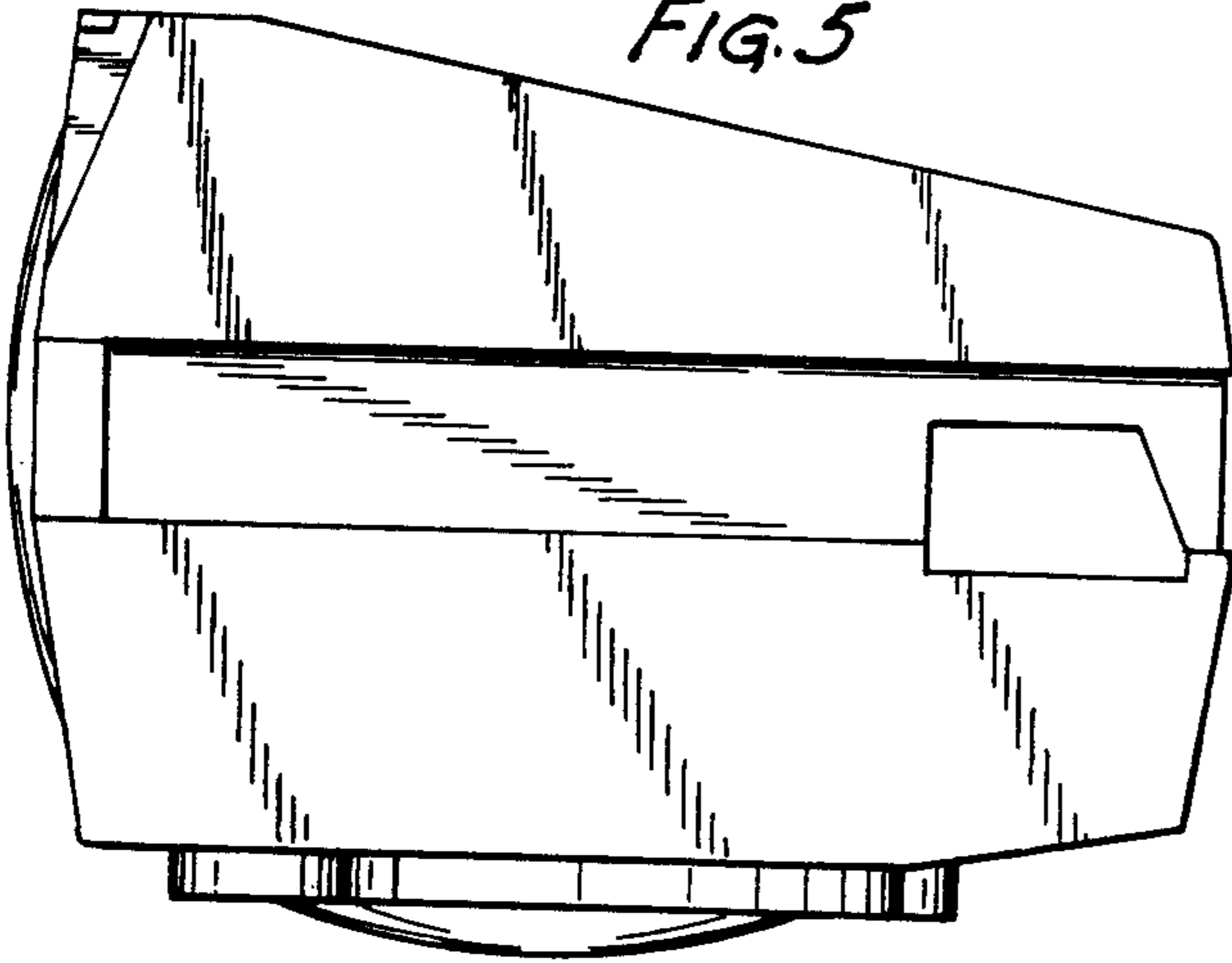


FIG. 5

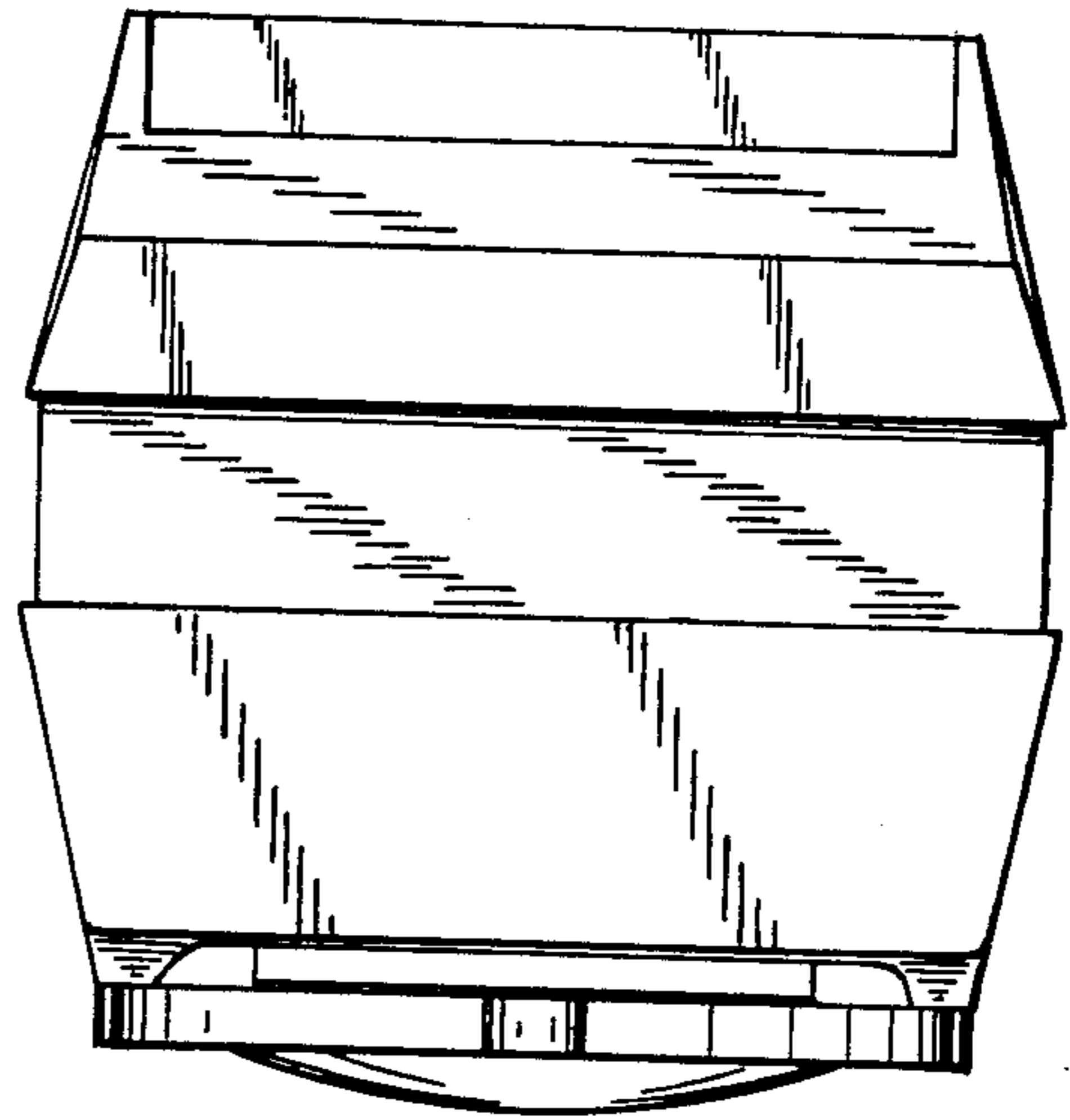


FIG. 7

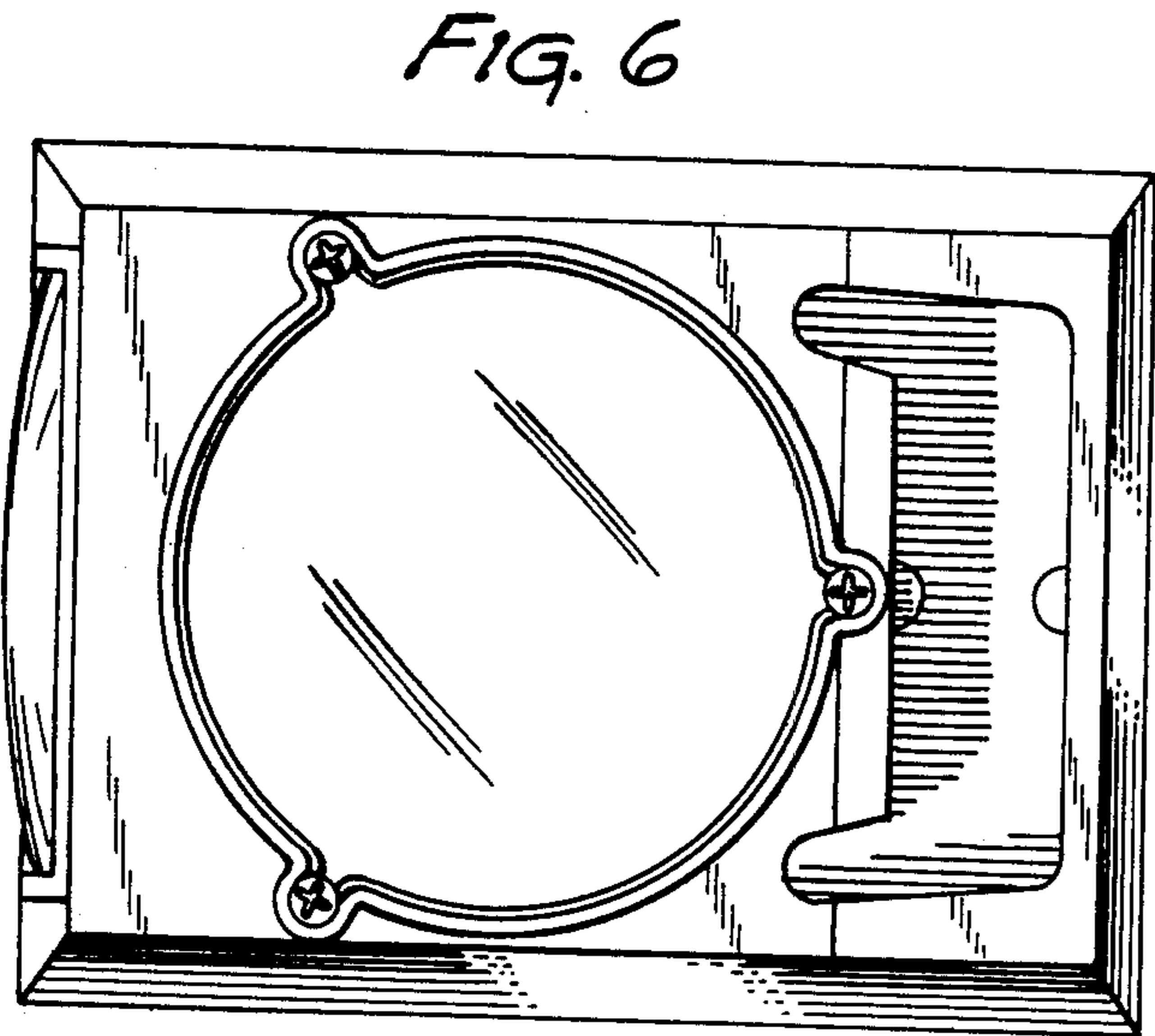


FIG. 6