

[54] CAM PUNCH UNIT

[75] Inventors: James E. Persik; Gerald E. Persik,
both of Menomonee Falls, Wis.

[73] Assignee: J. J. & M.

[**] Term: 14 Years

[21] Appl. No.: 684,883

[22] Filed: May 10, 1976

[51] Int. Cl. D15-09

[52] U.S. Cl. D15/128

[58] Field of Search D15/128; 83/628

[56]

References Cited

U.S. PATENT DOCUMENTS

3,387,525 6/1968 Funke 83/628 X
D. 233,911 12/1974 Marsh et al. D15/128 X

Primary Examiner—Alan P. Douglas
Attorney, Agent, or Firm—Thad F. Kryshak

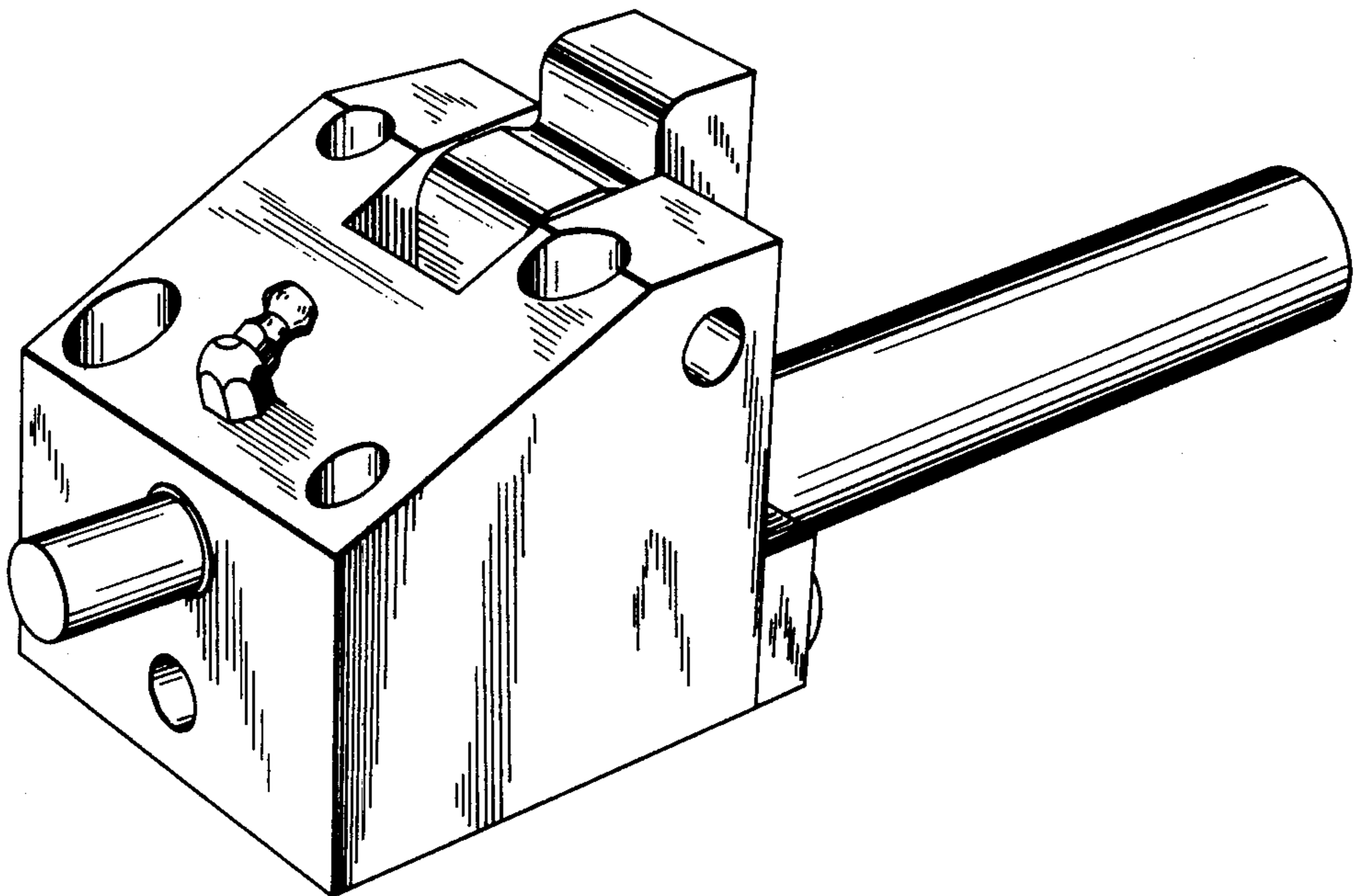
[57]

CLAIM

The ornamental design for a cam punch unit, as shown.

DESCRIPTION

FIG. 1 is a perspective view of a cam punch unit showing our new design;
FIG. 2 is a front elevational view thereof;
FIG. 3 is a rear elevational view thereof;
FIG. 4 is a side elevational view thereof;
FIG. 5 is a top plan view thereof; and
FIG. 6 is a bottom plan view thereof.



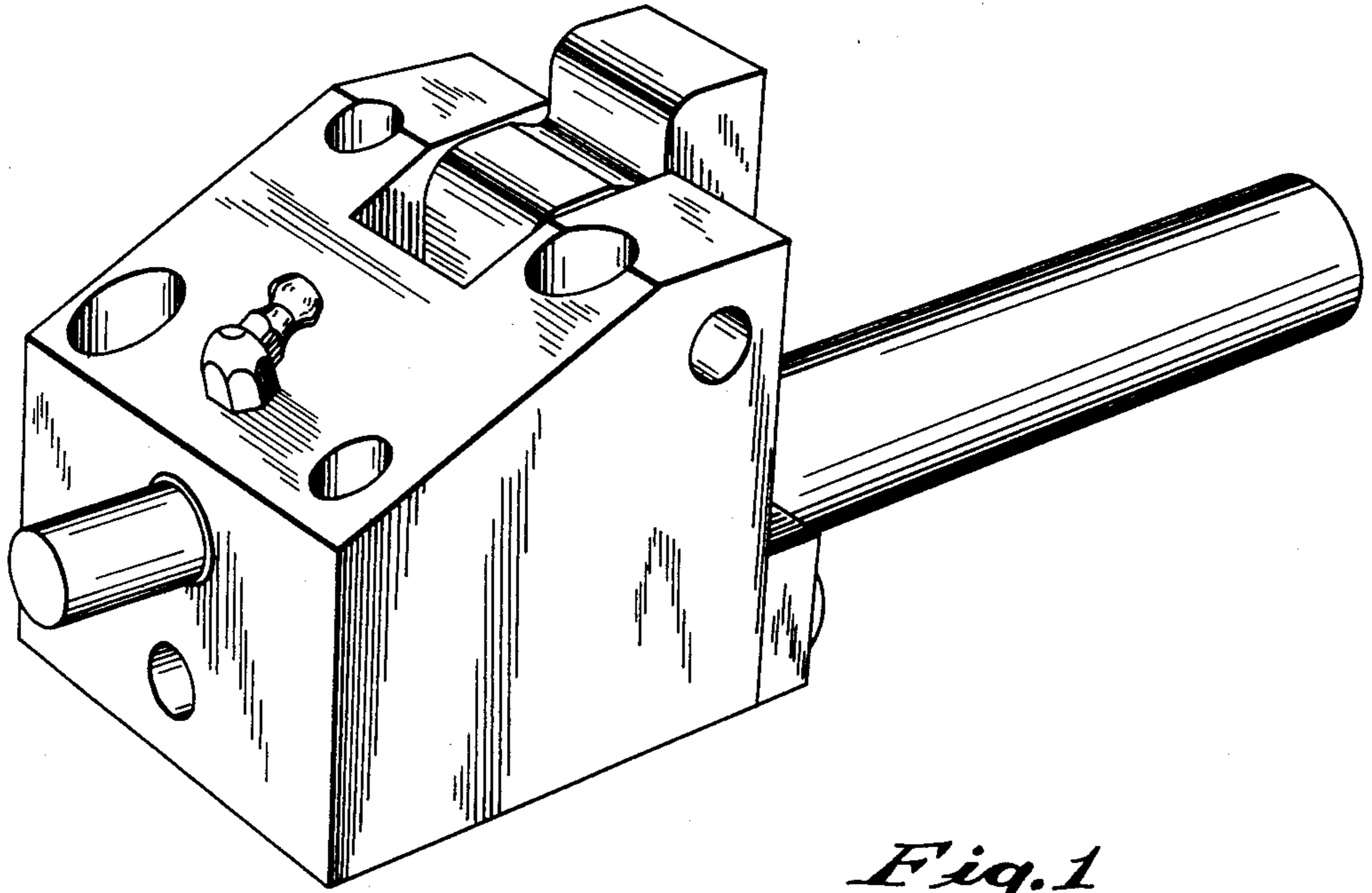


Fig. 1

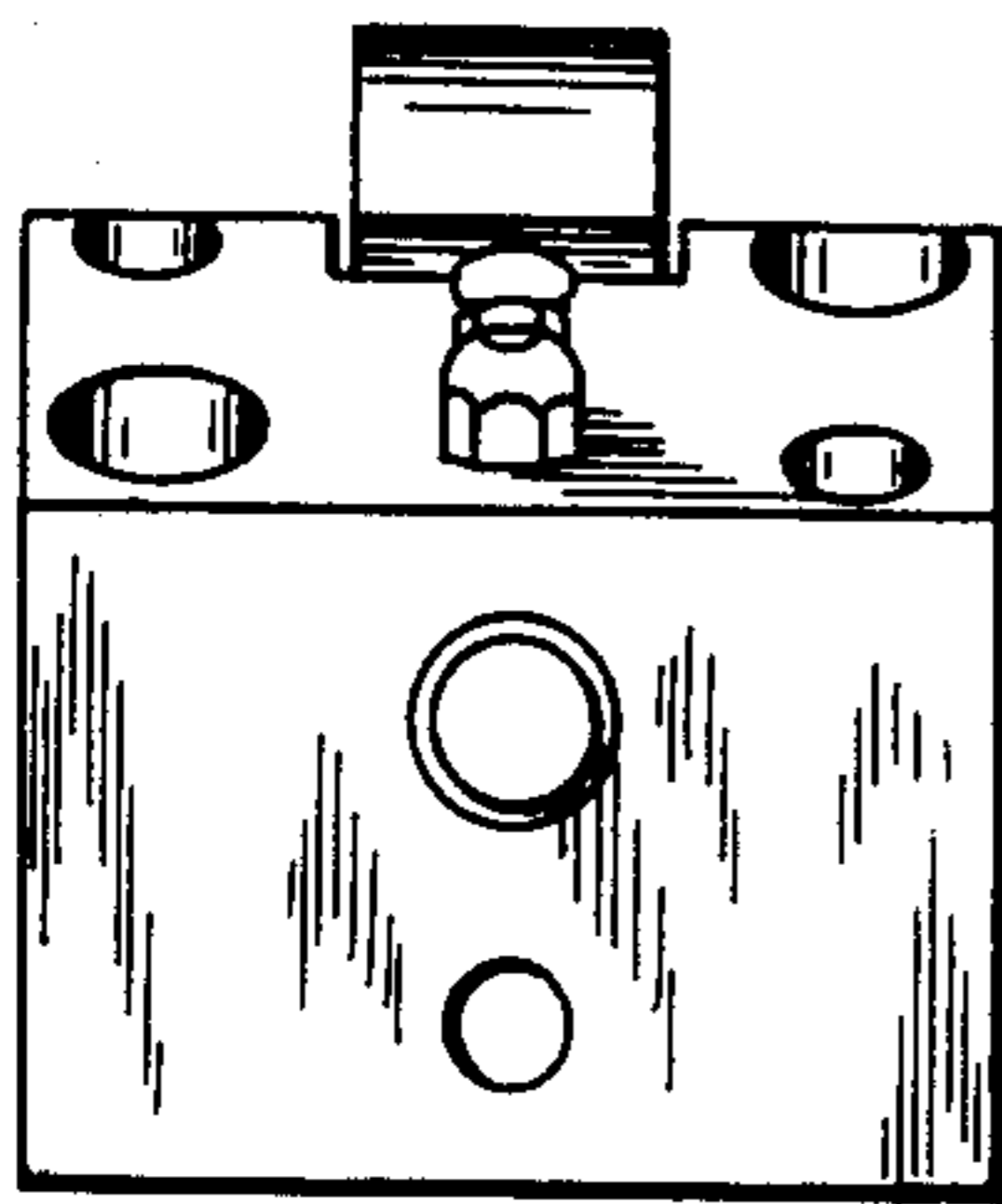


Fig. 2

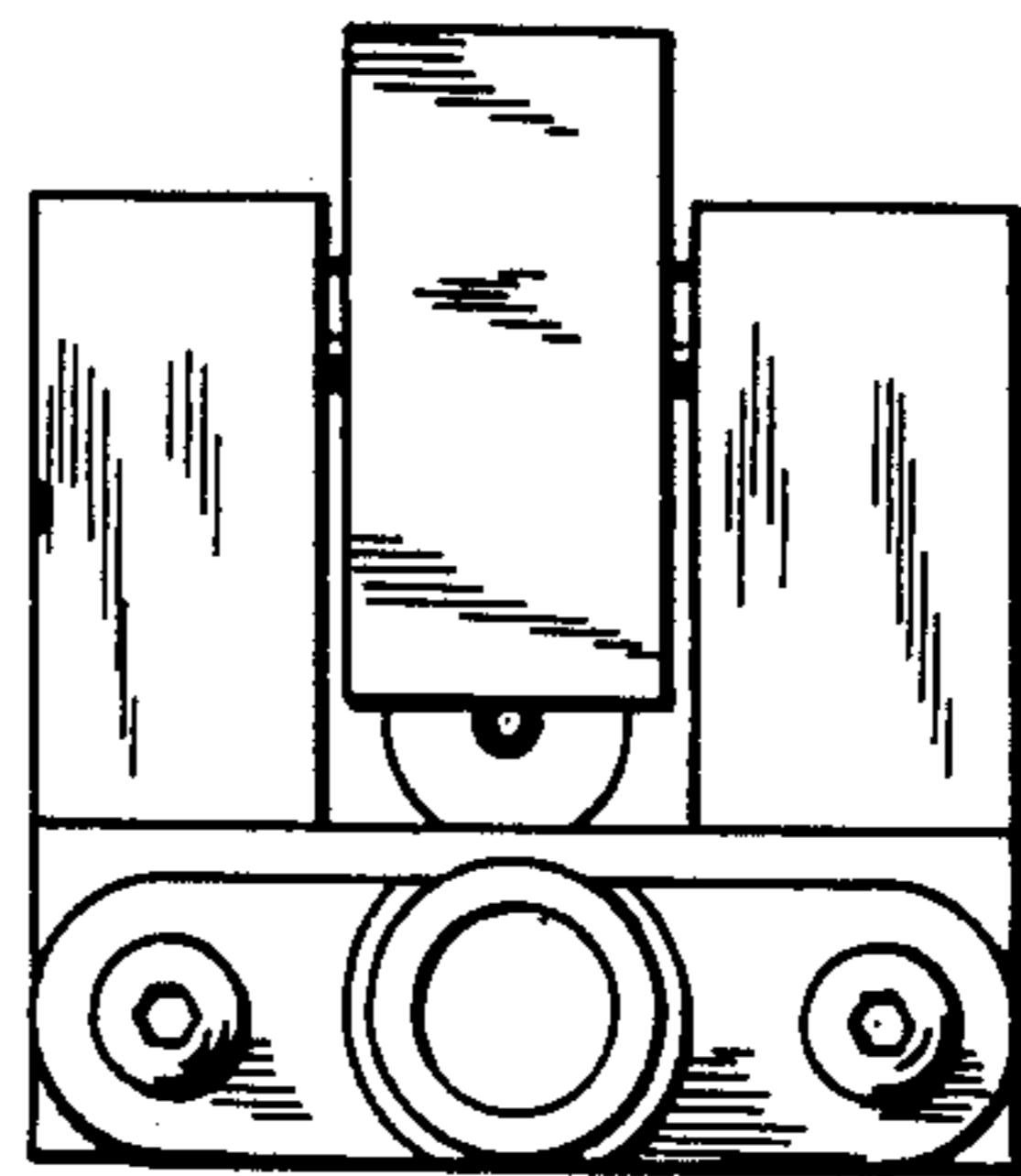


Fig. 3

Fig. 4

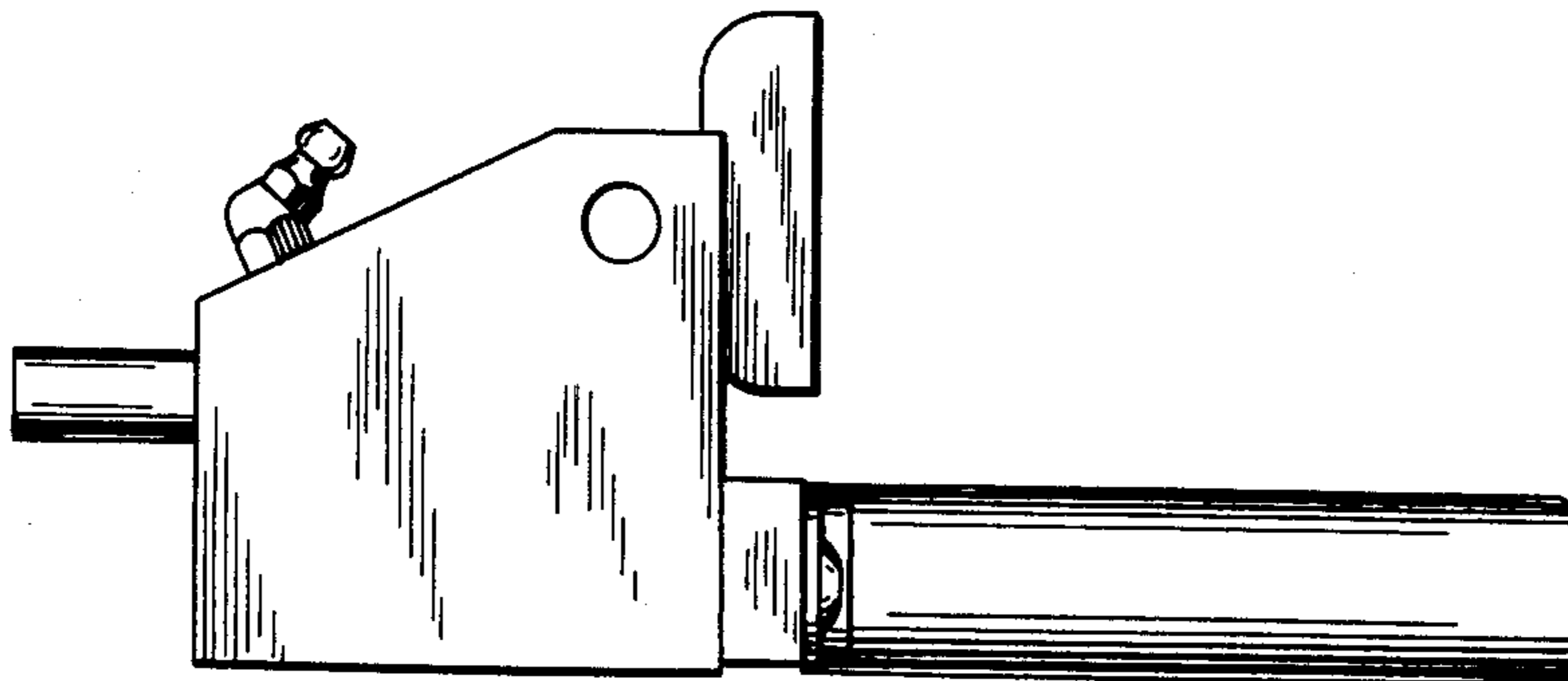


Fig. 5

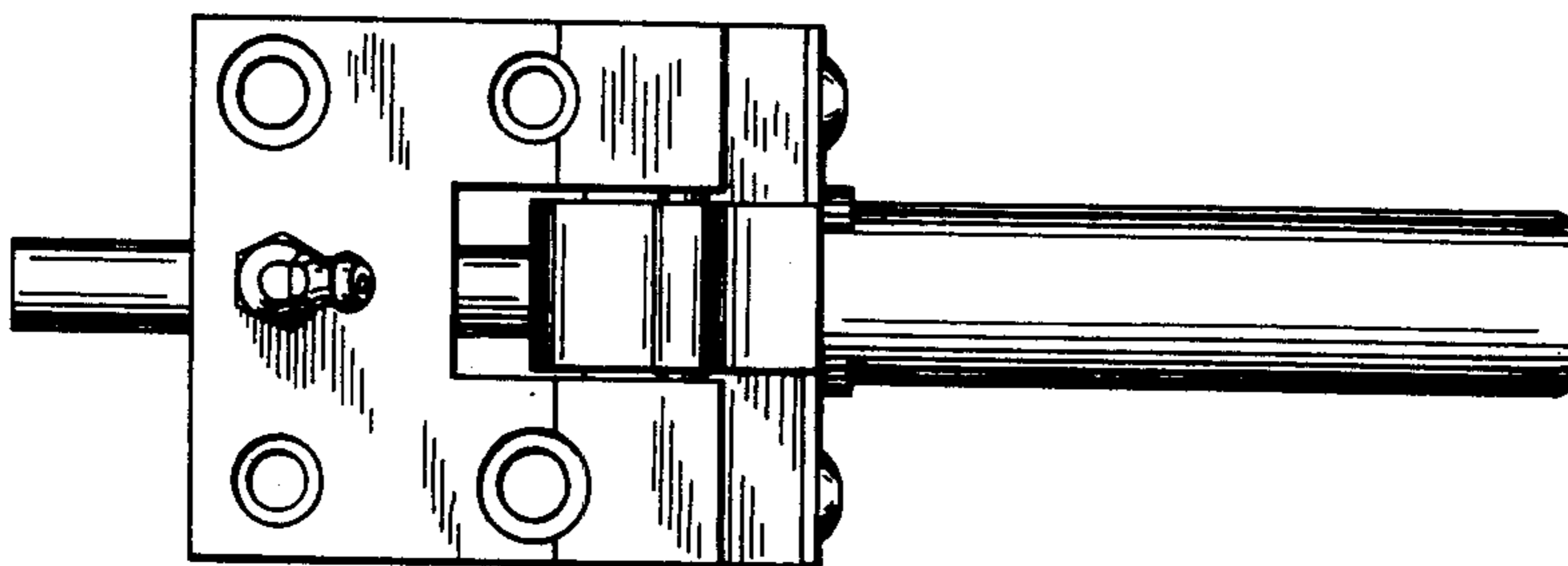


Fig. 6

