

[54] BEER MUG CHILLER

[76] Inventor: Timothy Perkins, 17 Greene Ave., Brooklyn, N.Y. 11238

[**] Term: 14 Years

[21] Appl. No.: 588,676

[22] Filed: June 20, 1975

[51] Int. Cl. D7-01

[52] U.S. Cl. D15/79

[58] Field of Search D7/70, 16, 77, 78; D9/170; D67/2 R, 4; D15/79

[56] References Cited

U.S. PATENT DOCUMENTS

- D. 199,329 10/1964 Kellum et al. D94/3 B
- D. 237,856 12/1975 Madson et al. D7/110

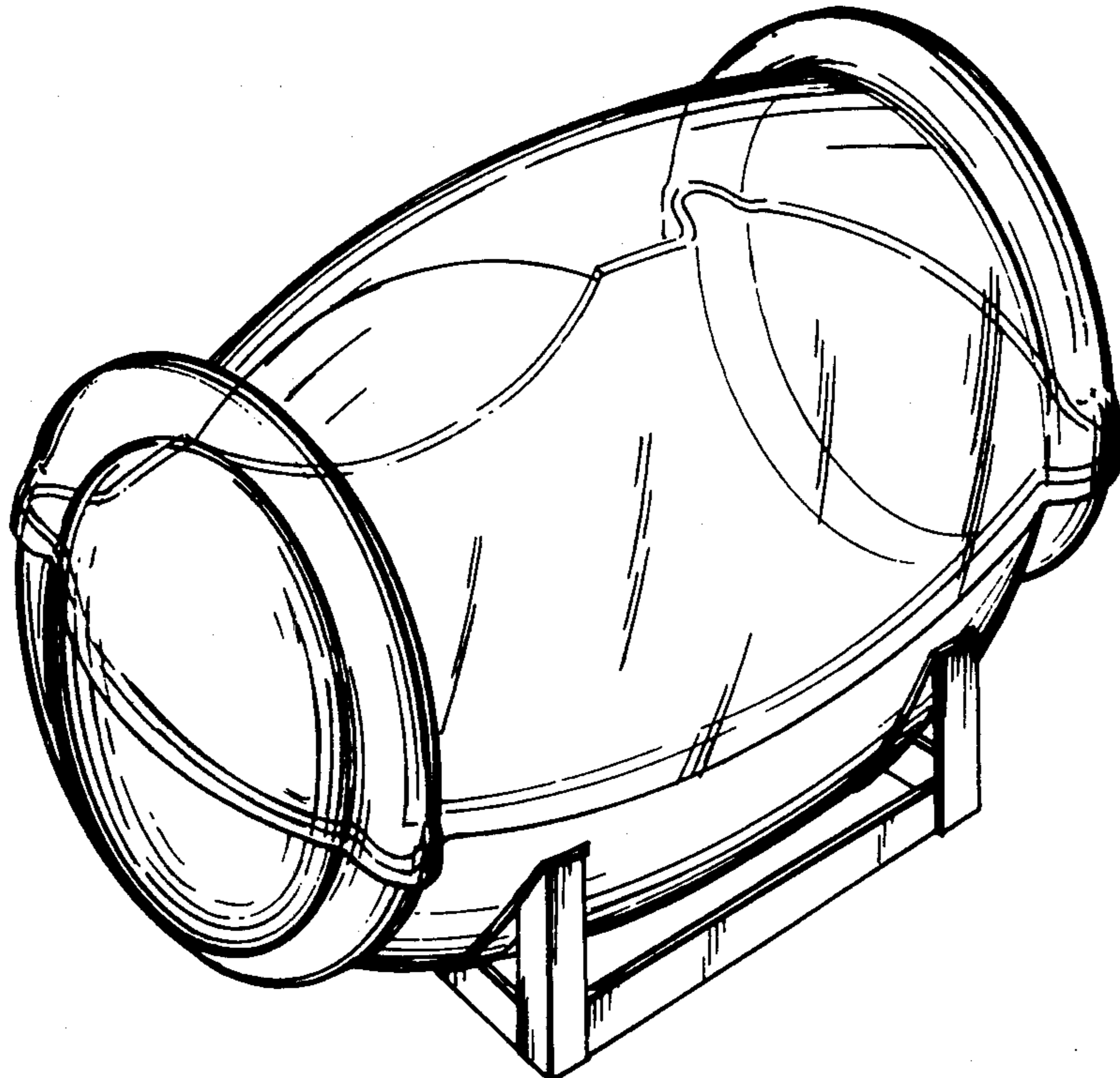
Primary Examiner—Joel Stearman
Assistant Examiner—Josephine Lloyd
Attorney, Agent, or Firm—Abraham Friedman

[57] CLAIM

The ornamental design for a beer mug chiller, substantially as shown and described.

DESCRIPTION

FIG. 1 is a perspective view of a beer mug chiller showing my new design;
FIG. 2 is a rear elevational view;
FIG. 3 is a right side elevational view;
FIG. 4 is a perspective view of a modified form of the beer mug chiller shown in FIG. 1 provided with a transparent cover;
FIG. 5 is a rear elevational view; and
FIG. 6 is a right side elevational view.



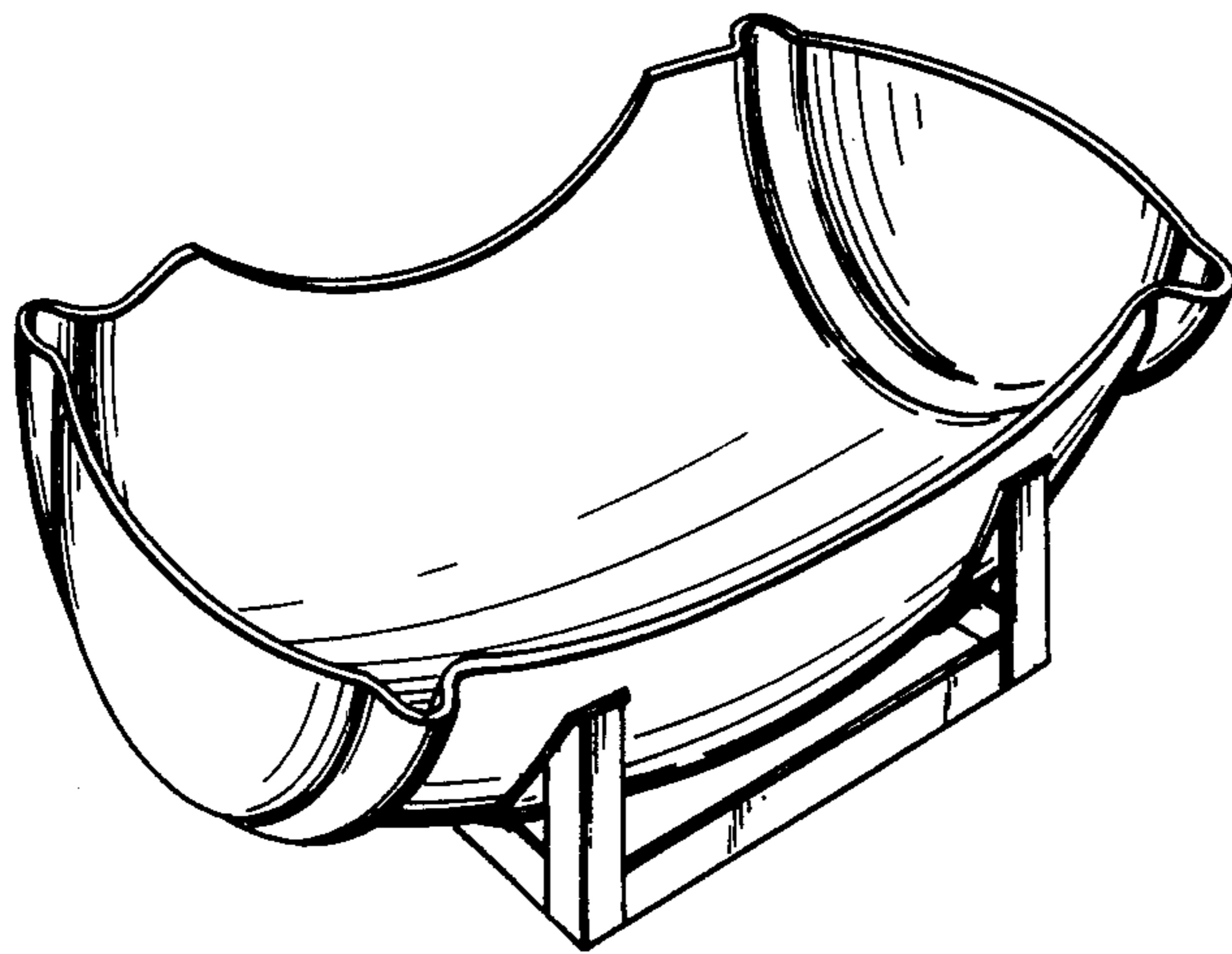


FIG. 1

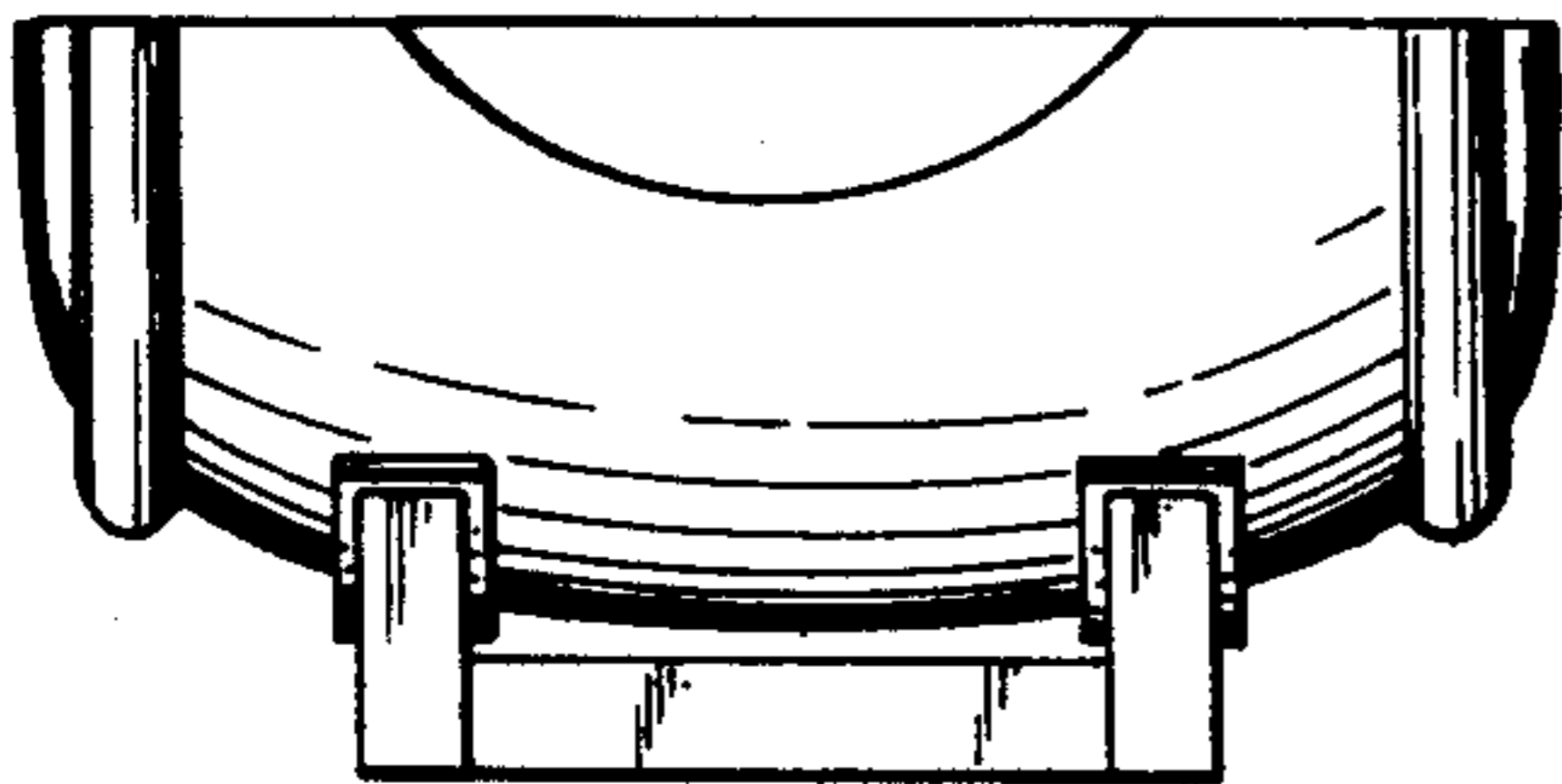


FIG. 2

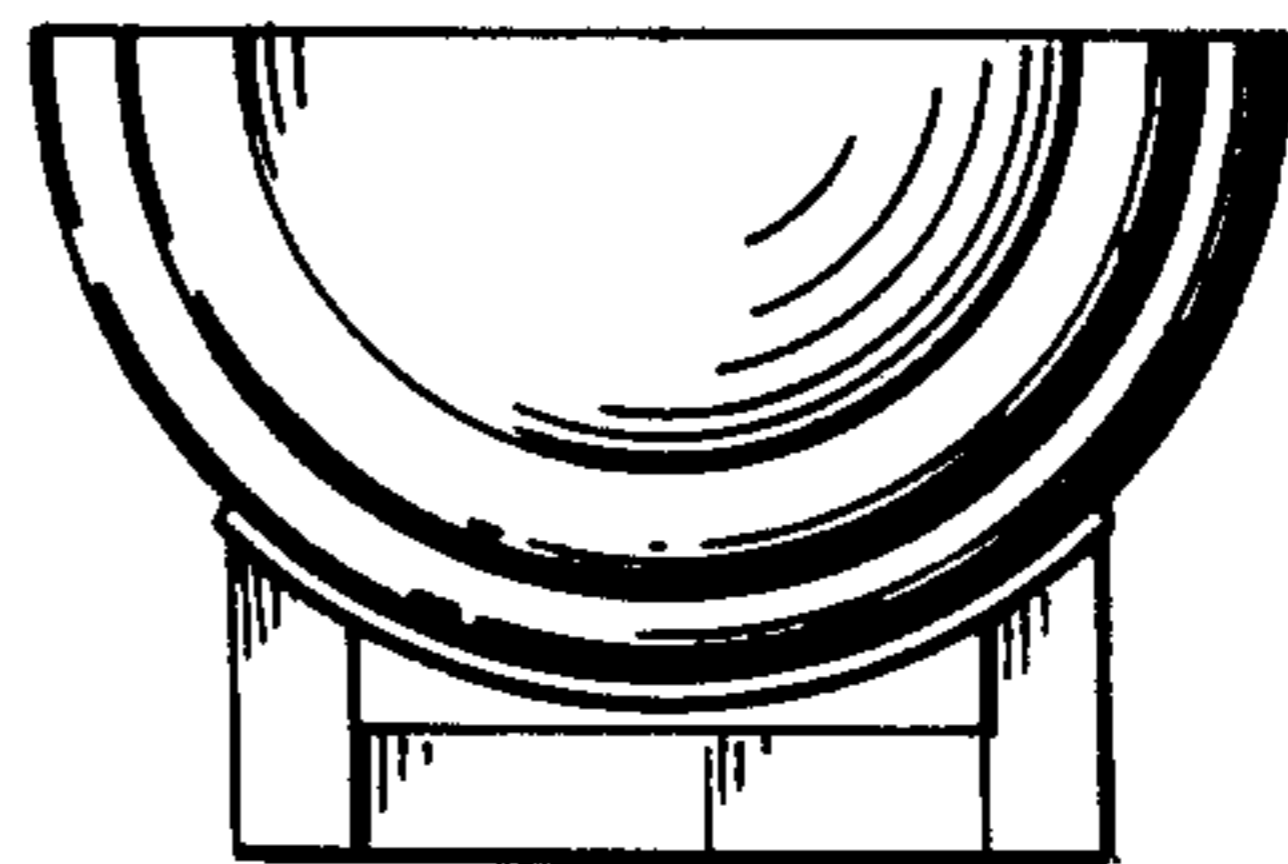


FIG. 3

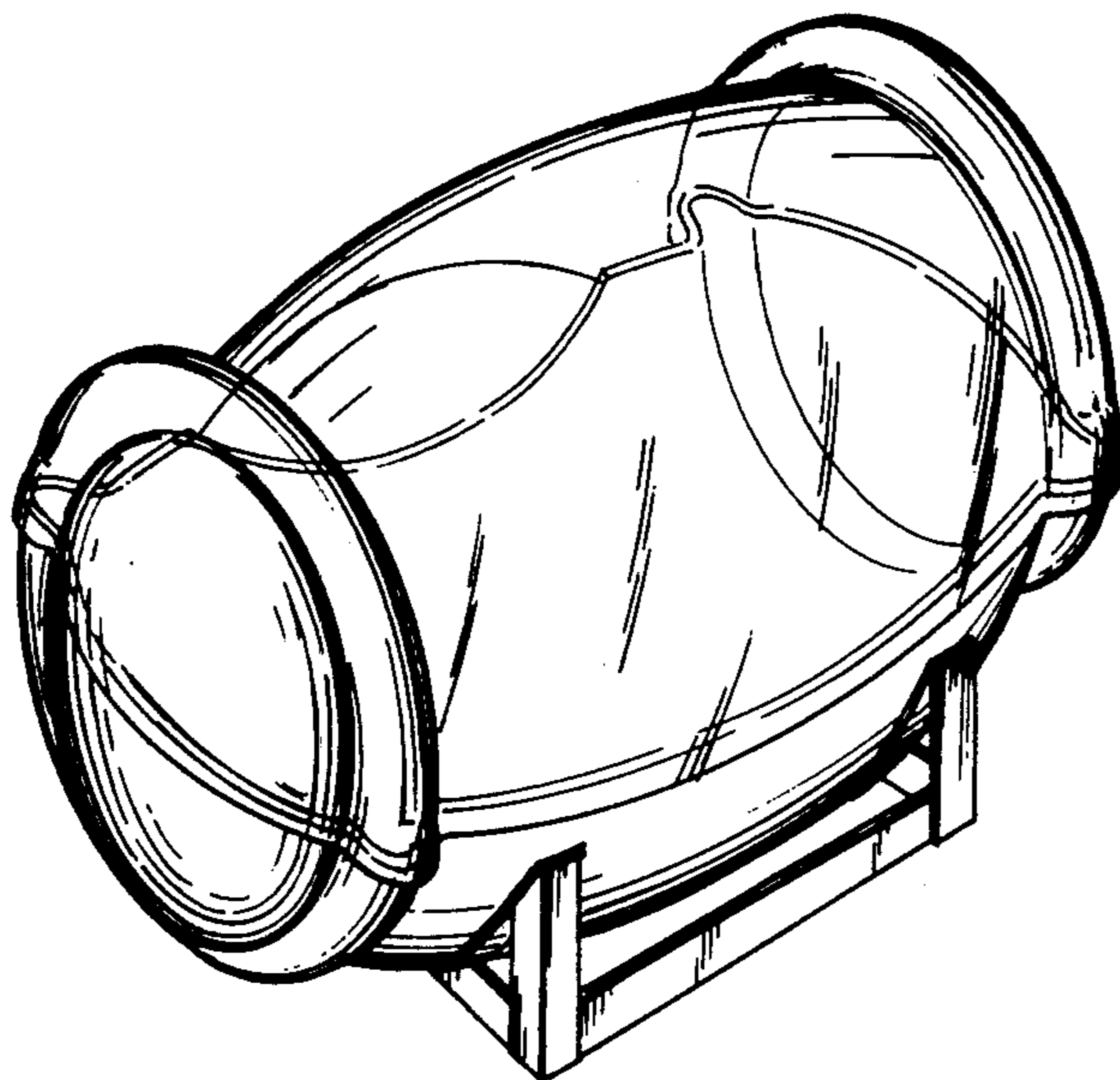


FIG. 4

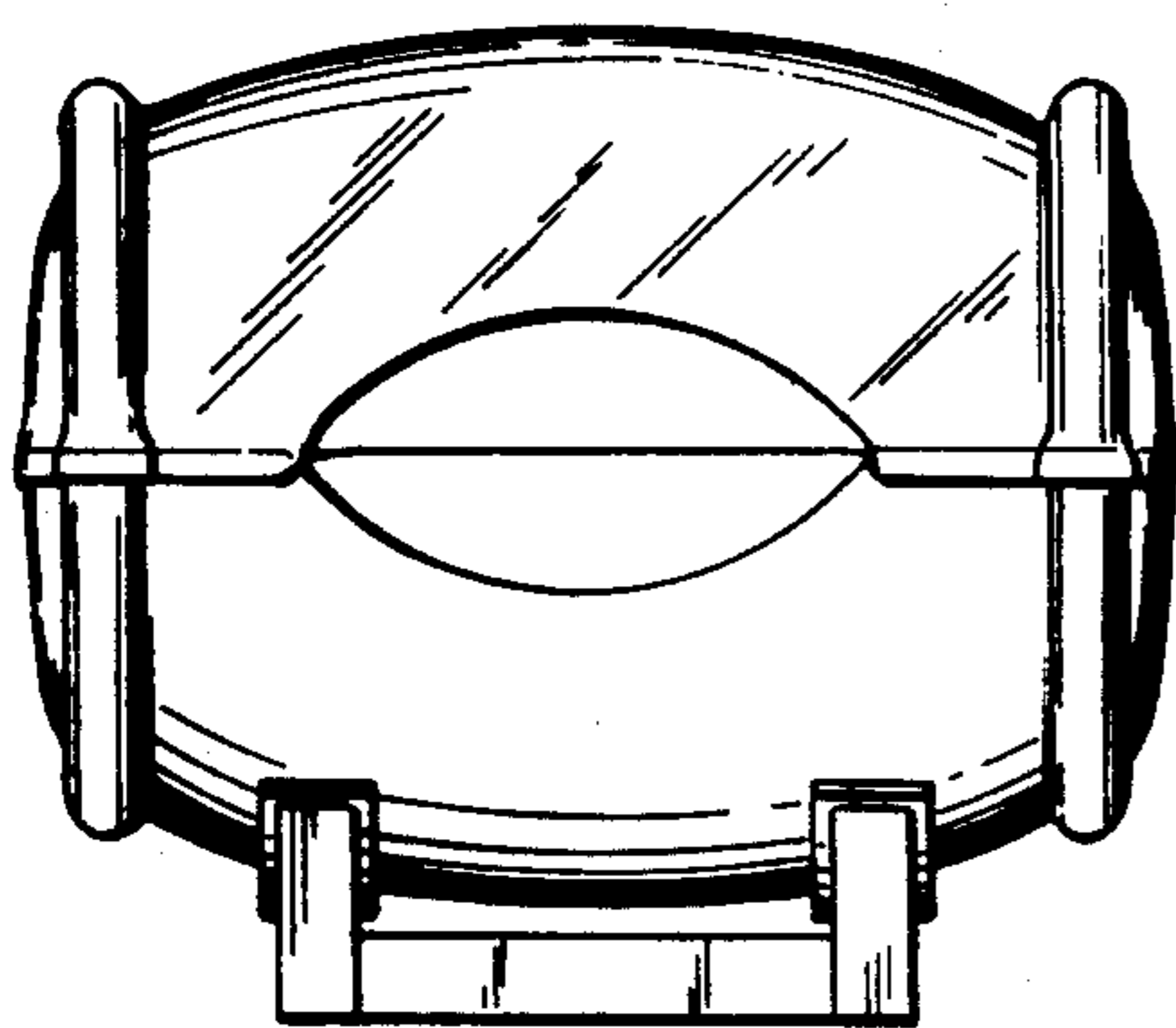


FIG. 5

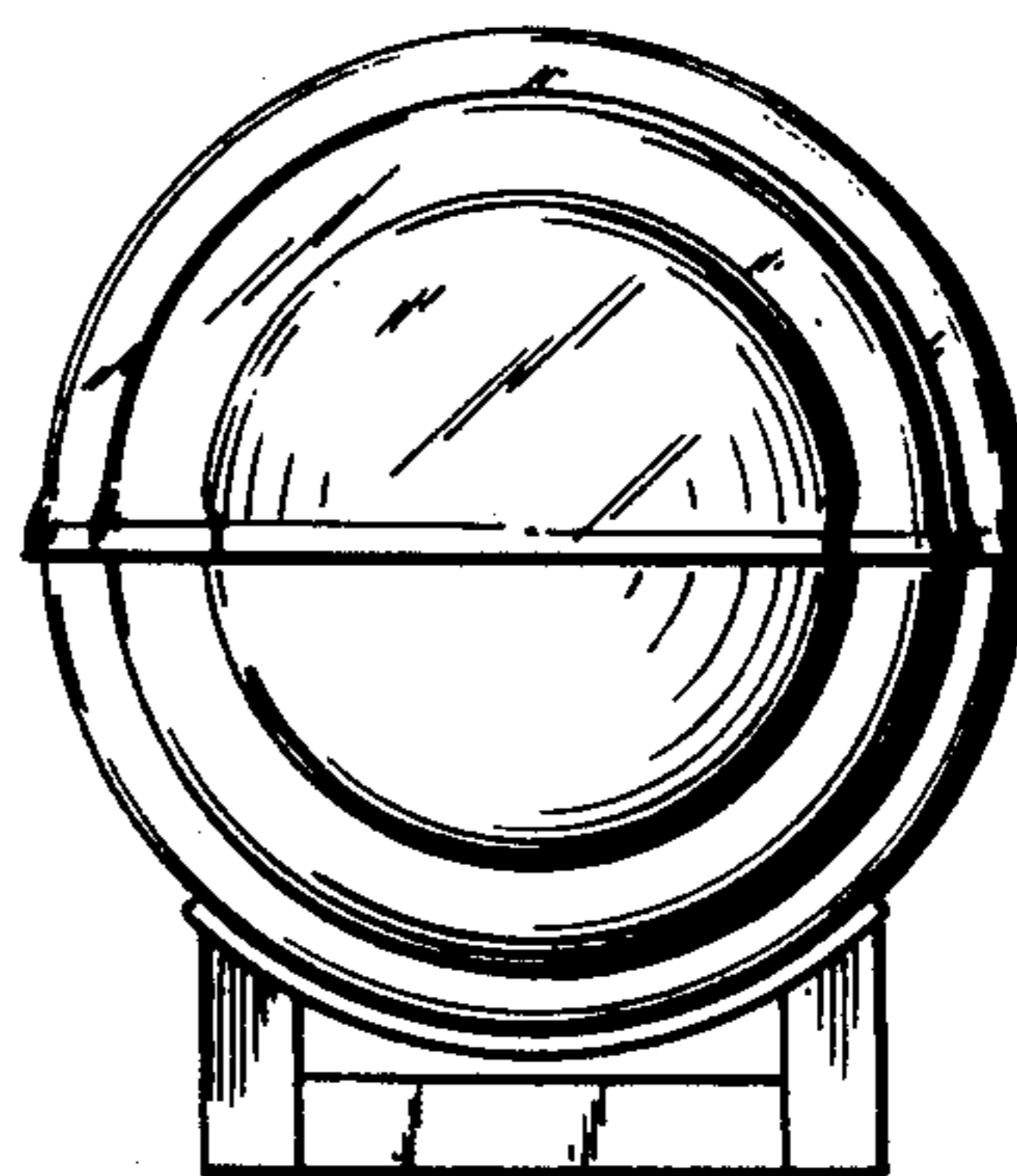


FIG. 6