

[54] **ARMoured VEHICLE BODY**

[75] Inventor: **Jacques Longeau, Suresnes, France**

[73] Assignee: **Societe Anonyme de Vehicules Industriels et d'Equipements Mecaniques Saviem, Suresnes, France**

[\*\*] Term: **14 Years**

[21] Appl. No.: **620,779**

[22] Filed: **Oct. 8, 1975**

[30] **Foreign Application Priority Data**  
 Apr. 10, 1975 France ..... 73.780

[51] Int. Cl. .... **D12-13**  
 [52] U.S. Cl. .... **D12/12**  
 [58] Field of Search ..... **D12/12; D34/15 SS; 89/36 H, 40 B; 115/1 R; 180/24; 46/219**

[56] **References Cited**

**U.S. PATENT DOCUMENTS**

3,395,672	8/1968	Ruf .....	89/36 H
3,566,742	3/1971	Bemiss .....	89/40 B

**FOREIGN PATENT DOCUMENTS**

1,522,614	3/1968	France .....	89/36 H
-----------	--------	--------------	---------

*Primary Examiner*—Wallace R. Burke  
*Assistant Examiner*—James M. Gandy  
*Attorney, Agent, or Firm*—Martin Fleit

[57] **CLAIM**

The ornamental design for a armoured vehicle body, as shown and described.

**DESCRIPTION**

FIG. 1 is a left side perspective view of an armoured vehicle body showing my new design; FIG. 2 is a top, right, rear perspective view thereof; FIG. 3 is a front perspective view thereof; and FIG. 4 is a rear perspective view thereof. The broken lines in the drawing are for illustrative purposes only. The undisclosed bottom surfaces are substantially unornamented.

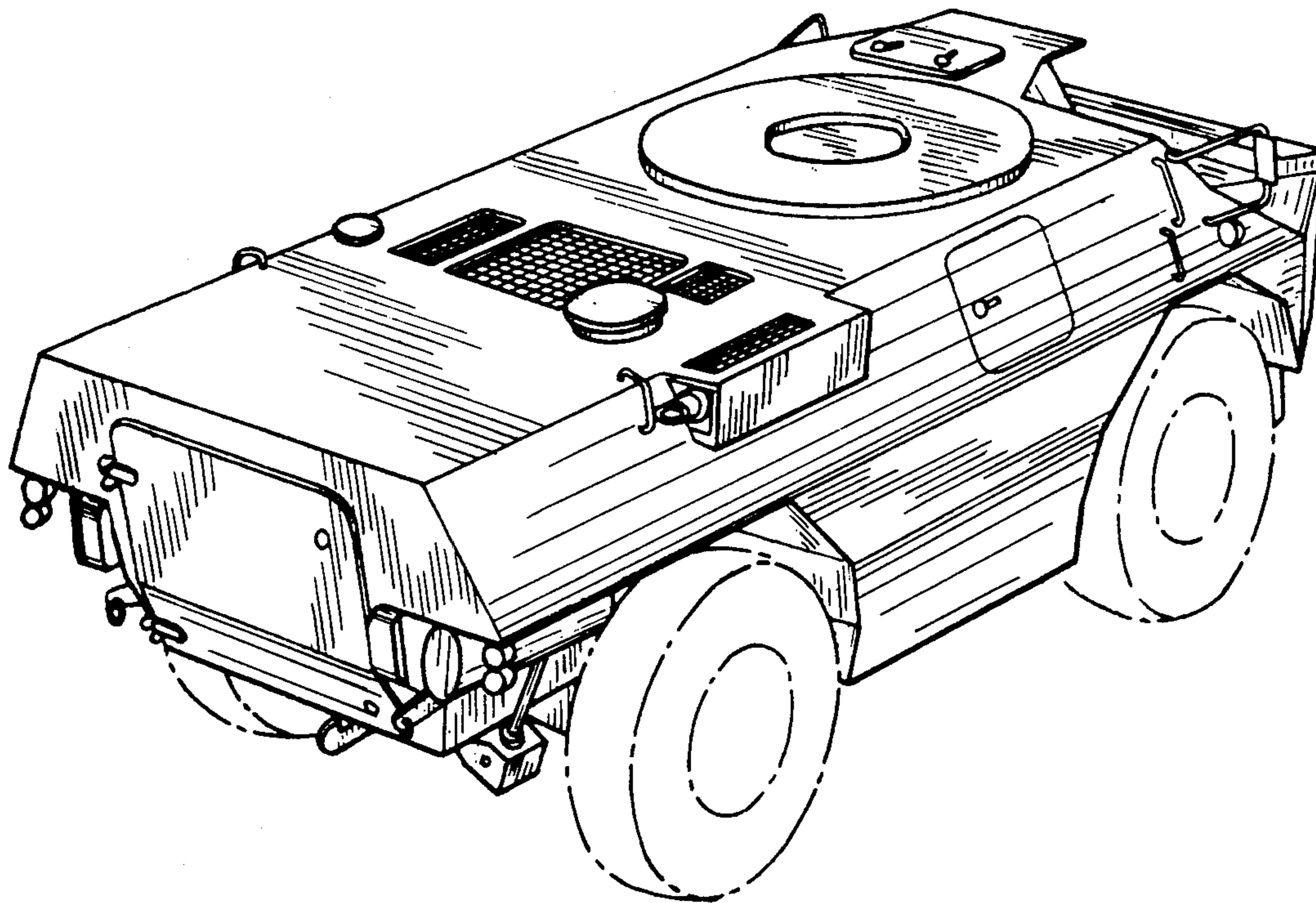


Fig- 1

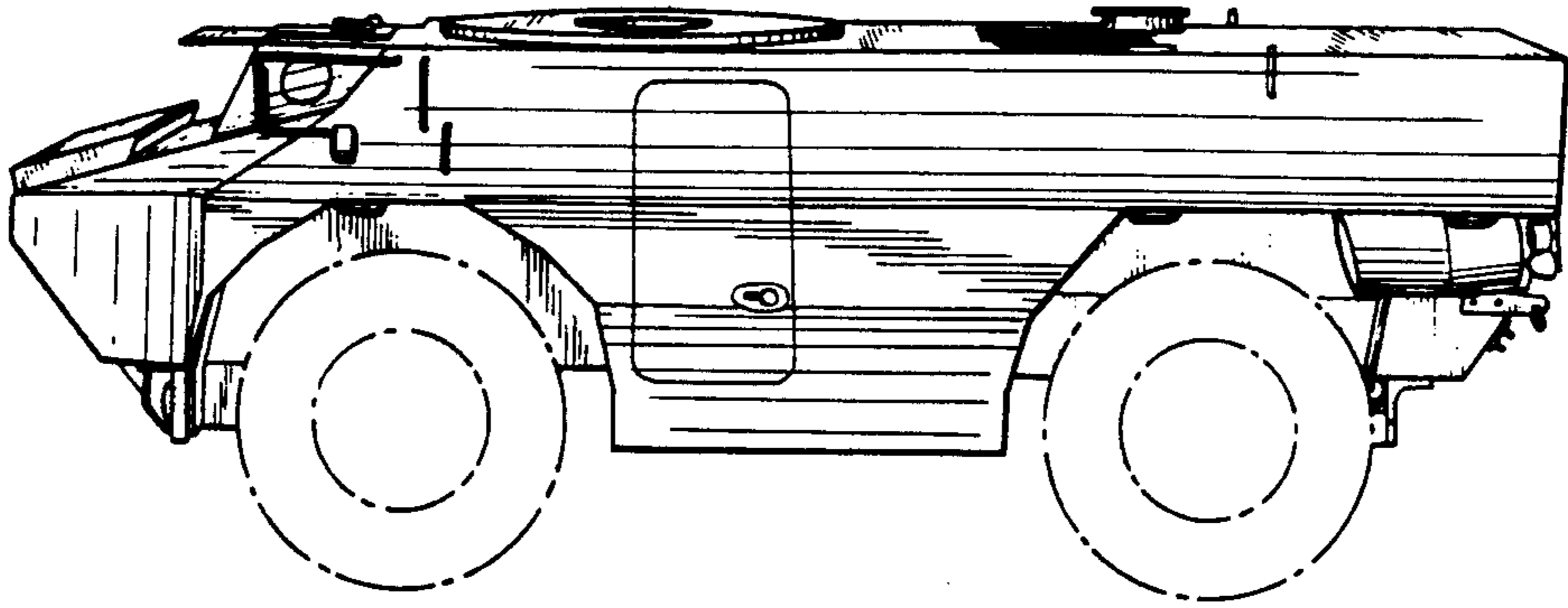


Fig- 2

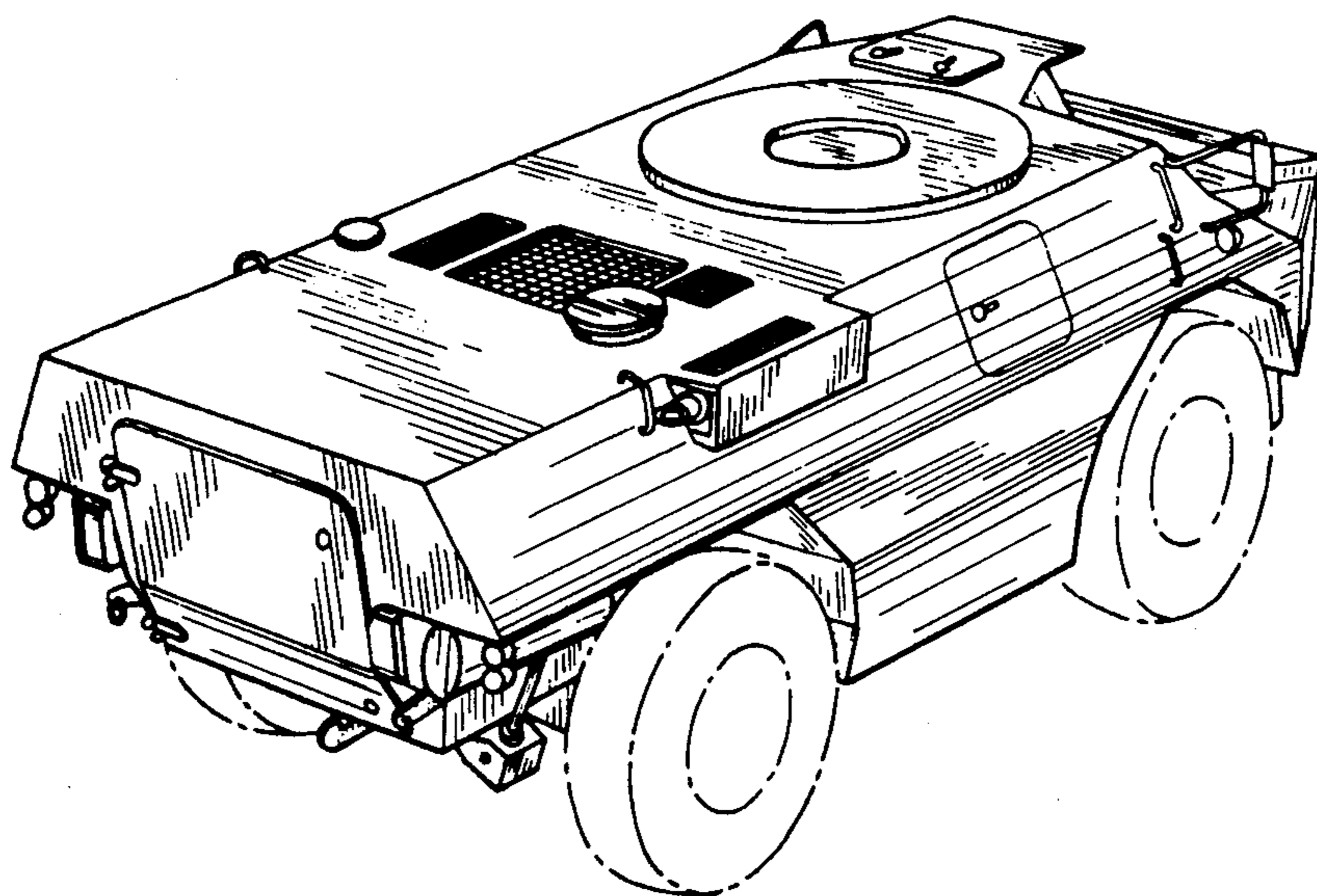


Fig- 3

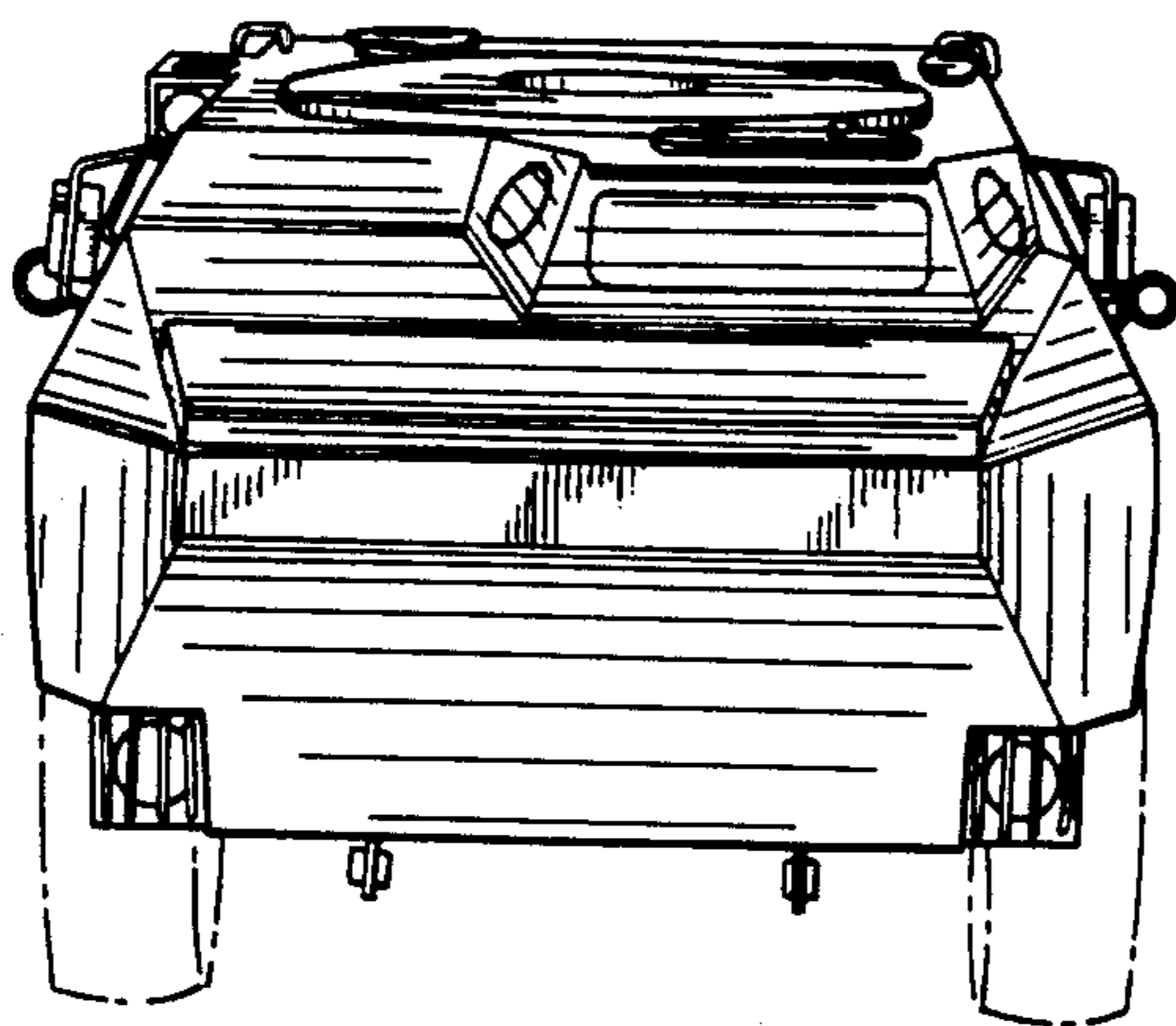


Fig- 4

