

[54] **RIGHT ANGLE DRILLING APPARATUS FOR DRILLING WIRING HOLES AND THE LIKE THROUGH BUILDING STUDS, JOISTS, RAFTERS AND THE LIKE**

[76] Inventors: **Karman H. Simms**, Rte. 39, Box 100, Canvas, W. Va. 26662; **Nathan O. Sanders**, Box 65, Summersville, W. Va. 26651

[\*\*] Term: **14 Years**

[21] Appl. No.: **686,991**

[22] Filed: **May 13, 1976**

[51] Int. Cl. .... **D8-05**

[52] U.S. Cl. .... **D8/70**

[58] Field of Search ..... **D8/70; 173/40; 408/95, 408/103, 102, 109**

[56] **References Cited**

**U.S. PATENT DOCUMENTS**

518,195	4/1894	Miner .....	408/95
1,034,288	7/1912	Oslund .....	408/95
2,814,219	11/1957	Zern .....	408/95 X

D. 191,539 10/1961 Keesling ..... D8/70

*Primary Examiner*—Alan P. Douglas  
*Attorney, Agent, or Firm*—Thomas B. Van Poole

[57] **CLAIM**

The ornamental design for a right angle drilling apparatus for drilling wiring holes and the like through building studs, joists, rafters and the like, as shown and described.

**DESCRIPTION**

FIG. 1 is a side elevation view of a right angle drilling apparatus for drilling wiring holes and the like through building studs, joists, rafters and the like, embodying our new design, the opposite side being substantially the mirror image thereof;

FIG. 2 is a top plan view thereof, viewed from above FIG. 1;

FIG. 3 is an end elevation thereof, viewed from the left of FIG. 1;

FIG. 4 is an end elevation thereof, viewed from the right of FIG. 1;

FIG. 5 is a bottom view thereof, viewed from below FIG. 1.

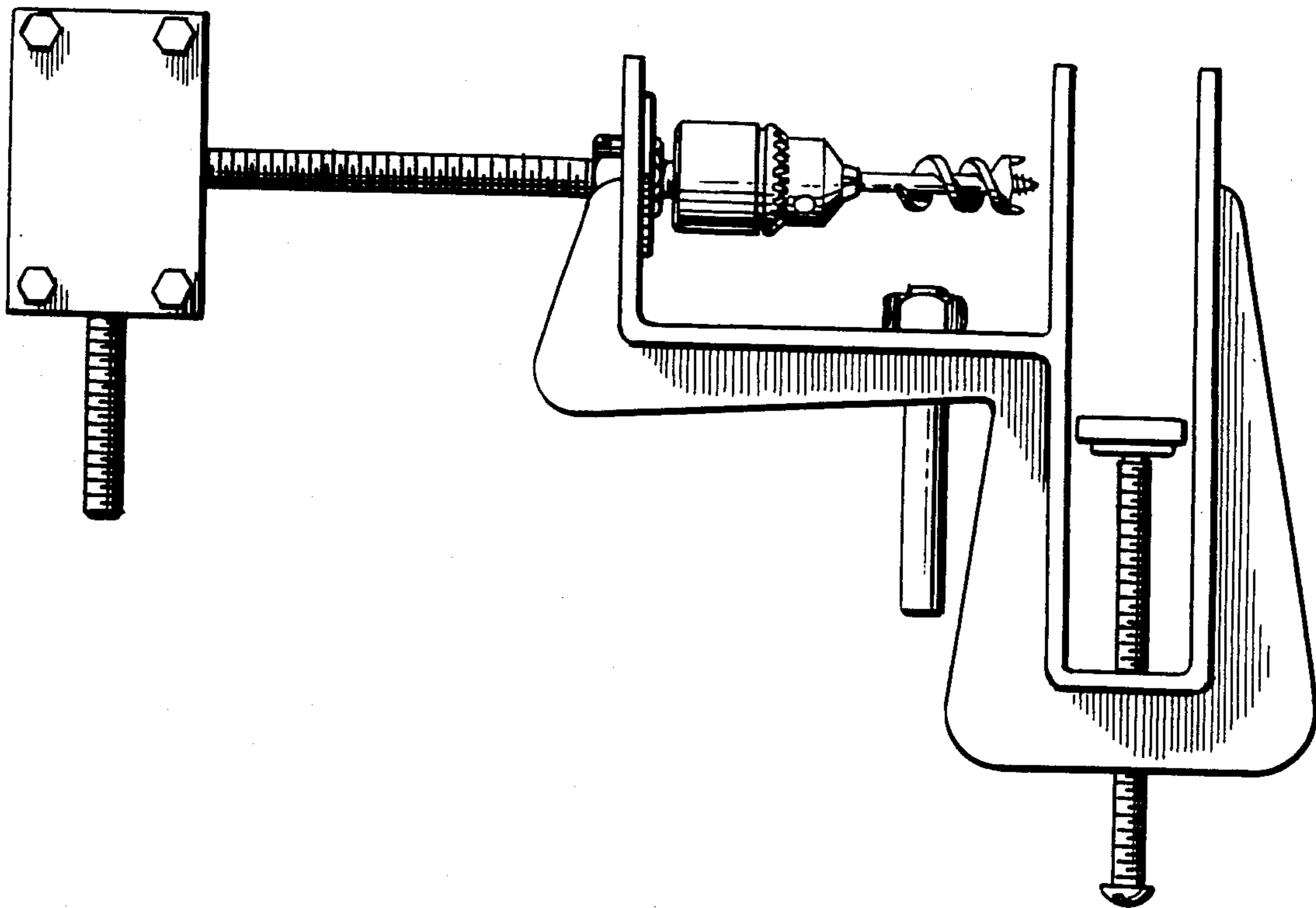


FIG-2

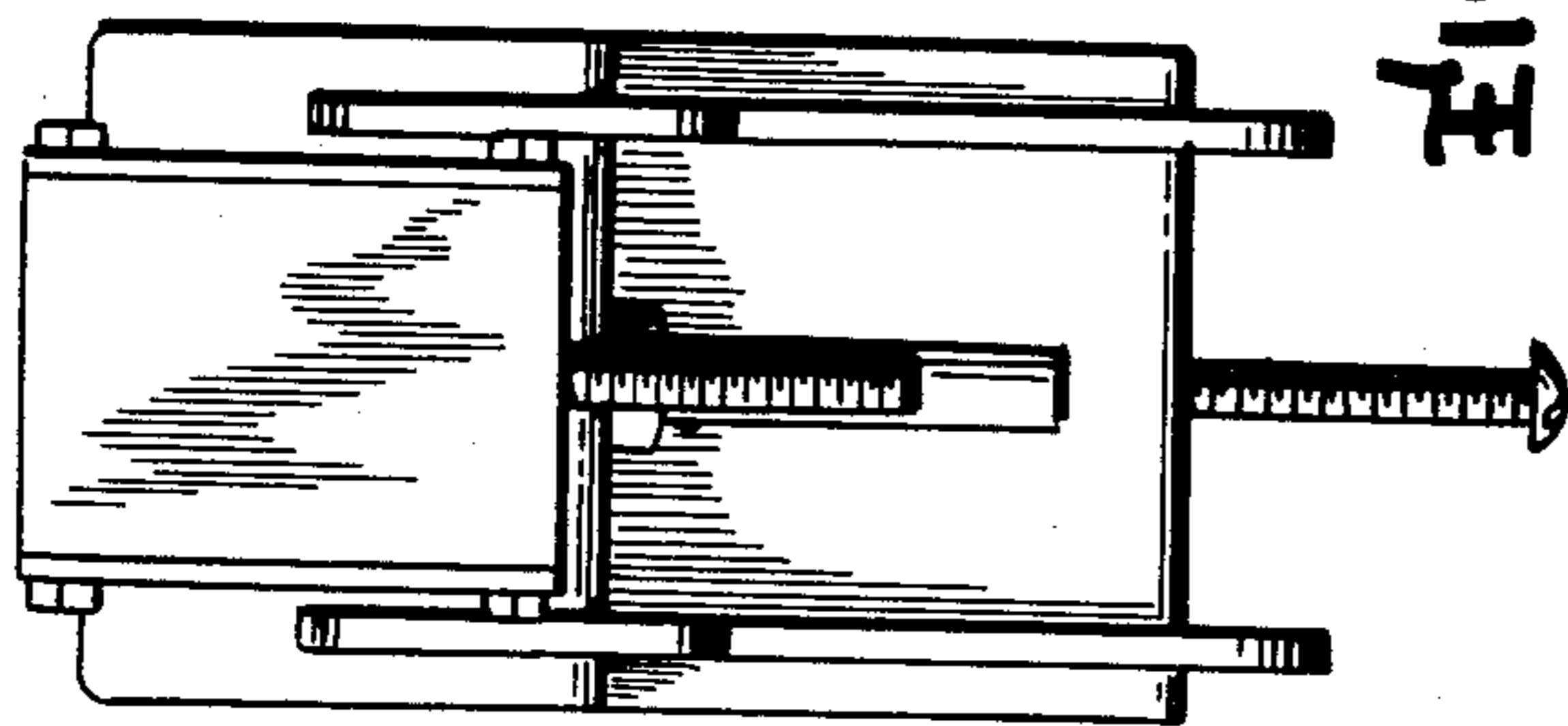
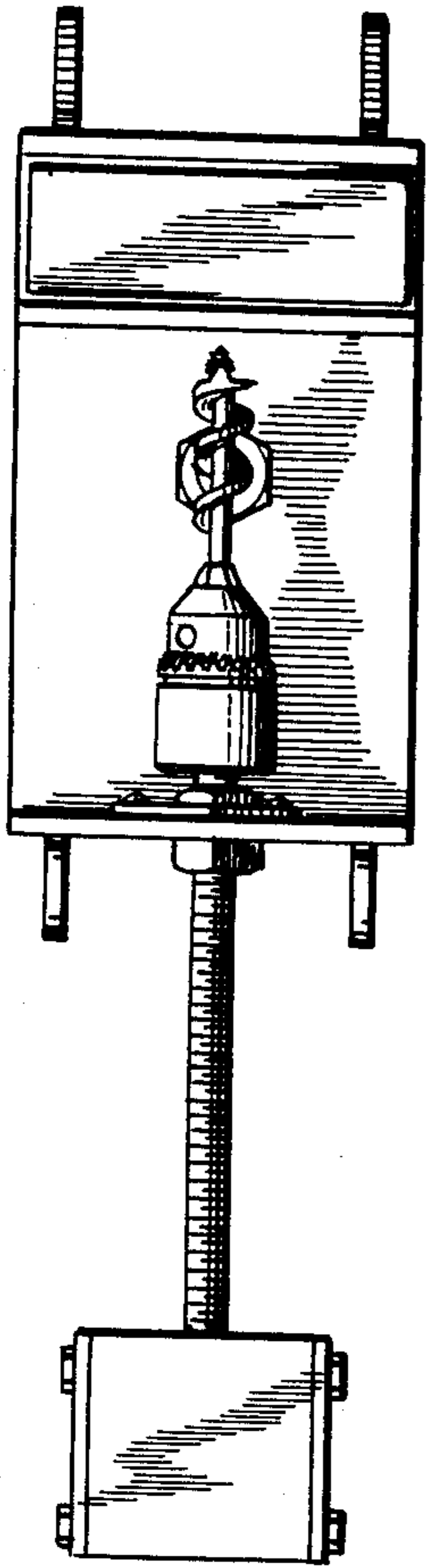


FIG-3

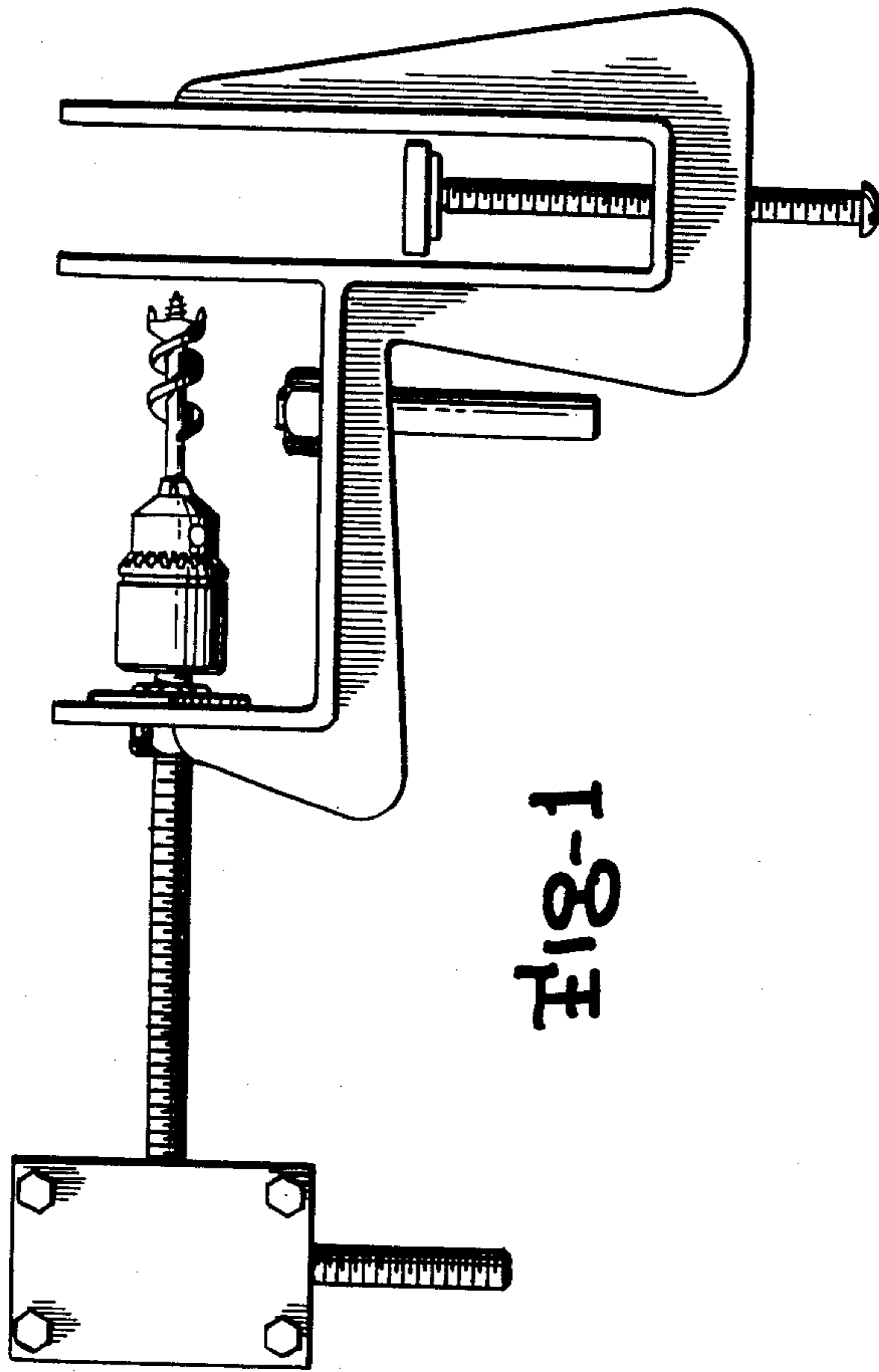


FIG-1

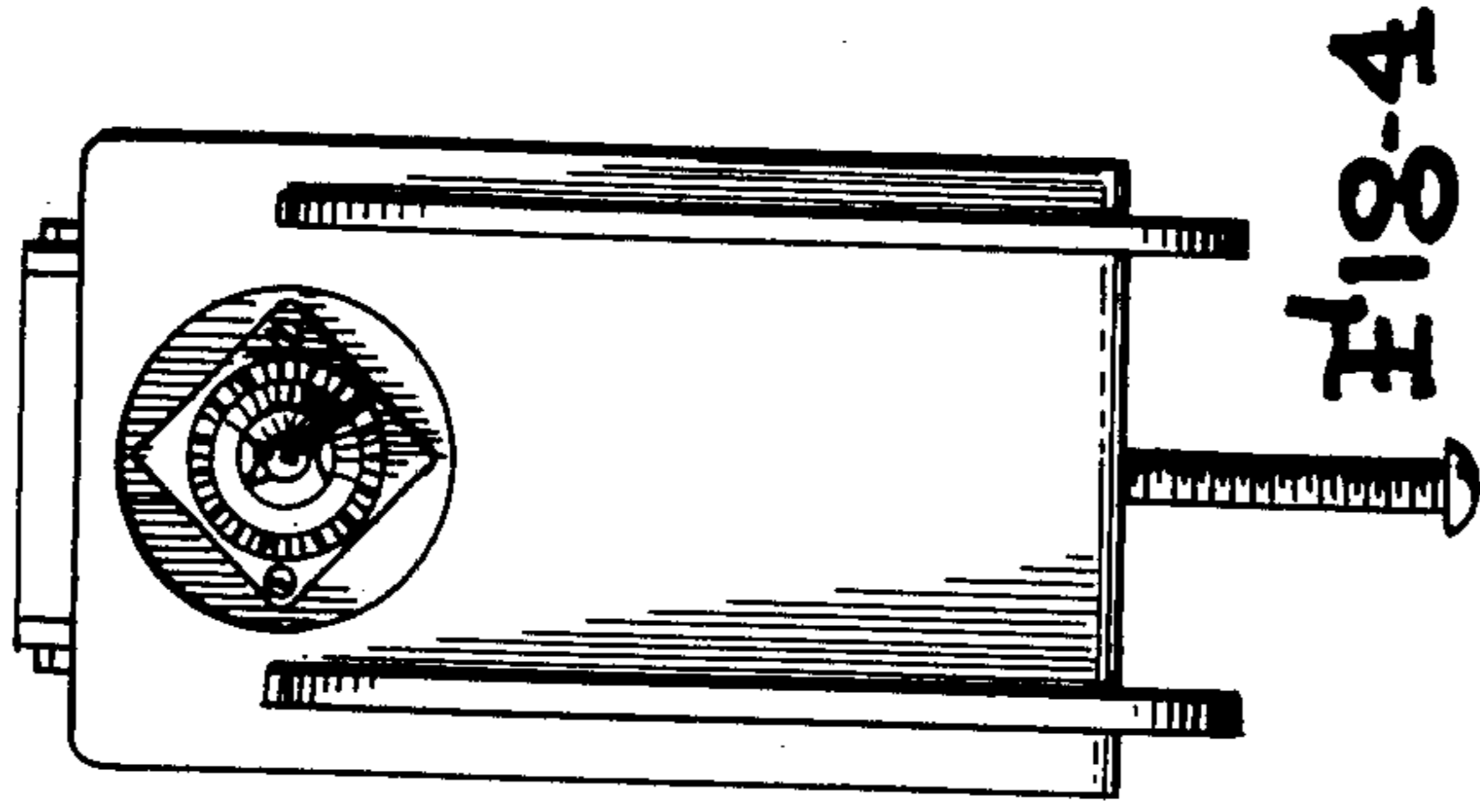


FIG-4

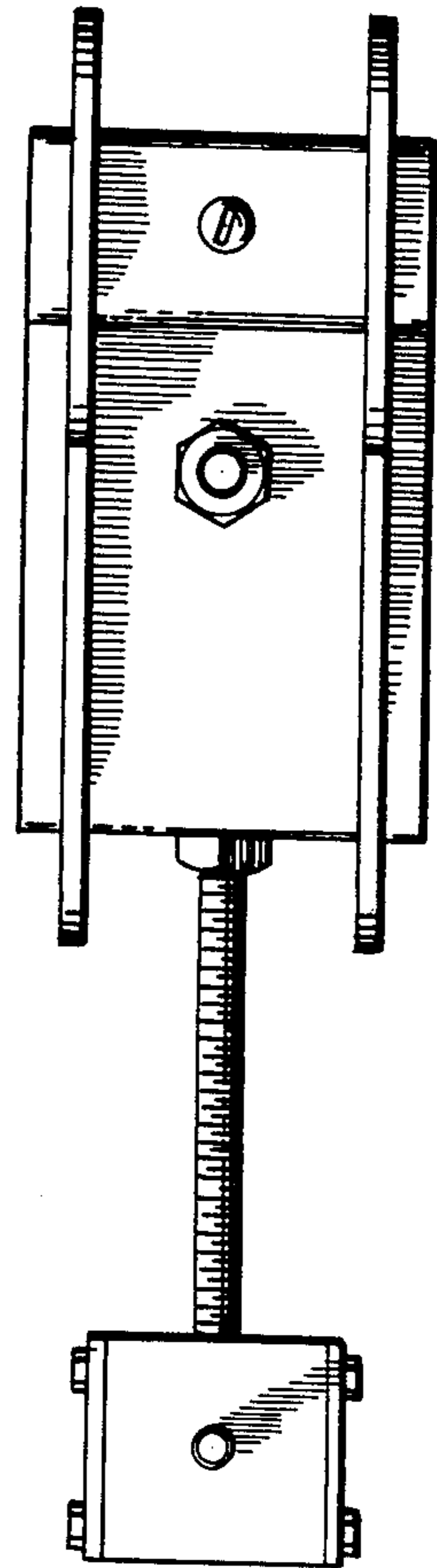


FIG-5