

[54] BUTTER BASTER

[76] Inventor: William E. Benson, 17351 Lakeview Drive, Morgan Hill, Calif. 95037

[\*\*] Term: 14 Years

[21] Appl. No.: 595,695

[22] Filed: July 14, 1975

[51] Int. Cl. .... D7-04

[52] U.S. Cl. .... D7/99

[58] Field of Search ..... 401/79, 12; 118/13, 118/76, 77, 78; D25/73, 74, 75, 79; D1/22, 99; D54/7

[56]

References Cited

U.S. PATENT DOCUMENTS

2,627,192	2/1953	Jenney, Jr. et al. ....	D15/139 X
2,980,247	4/1961	Giantomasso .....	D7/99 X
3,374,048	3/1968	Koskinen .....	401/12 X
3,459,296	8/1969	Berg .....	D1/22 X

Primary Examiner—Winifred E. Herrmann  
Attorney, Agent, or Firm—Thomas E. Schatzel

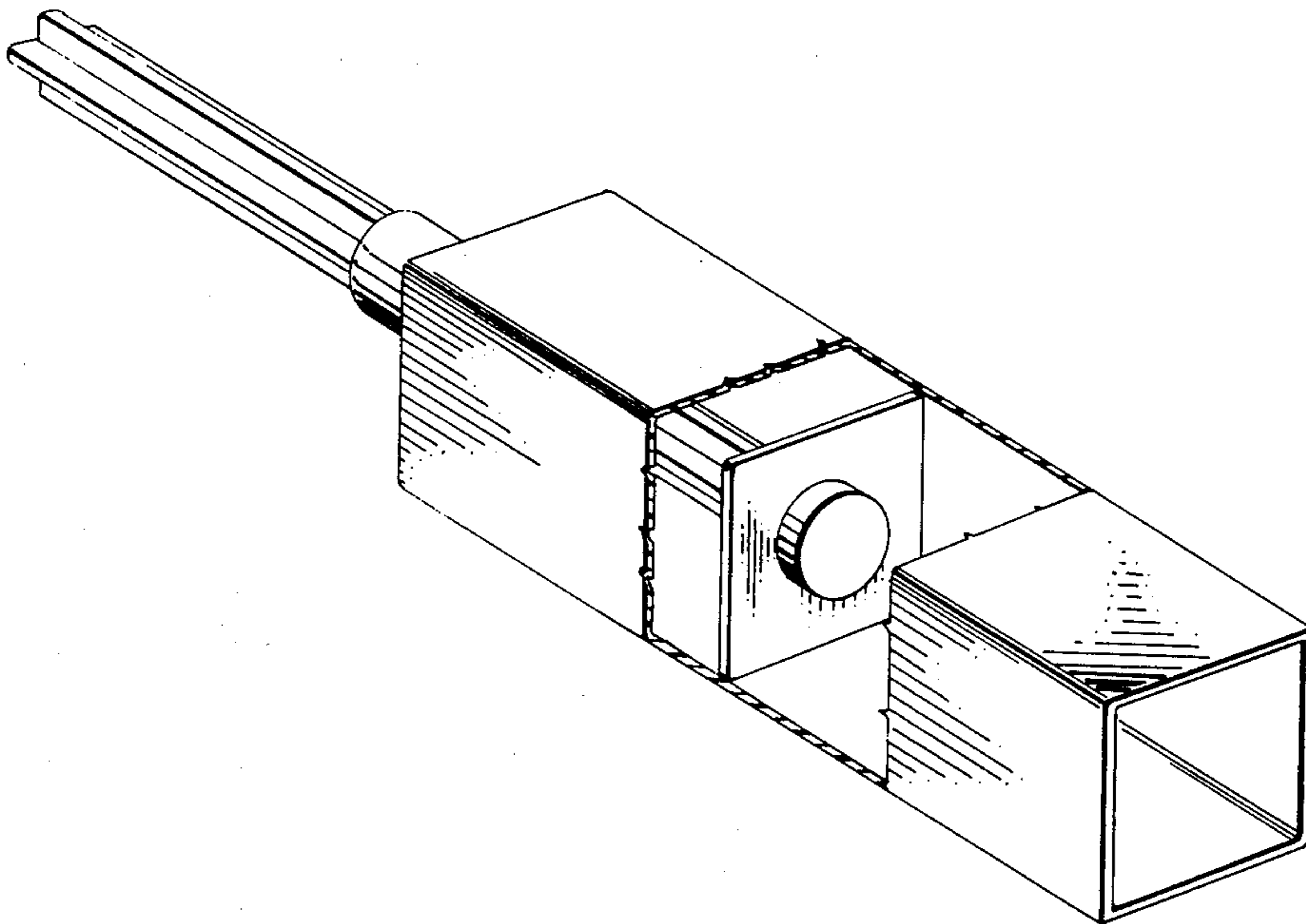
[57]

CLAIM

The ornamental design for a butter baster, substantially as shown and described.

DESCRIPTION

FIG. 1 is a perspective view of a butter baster showing my new design with portions broken away for clarity; FIG. 2 is a side elevational view thereof; FIG. 3 is a front elevational view thereof; and FIG. 4 is a rear elevational view thereof.



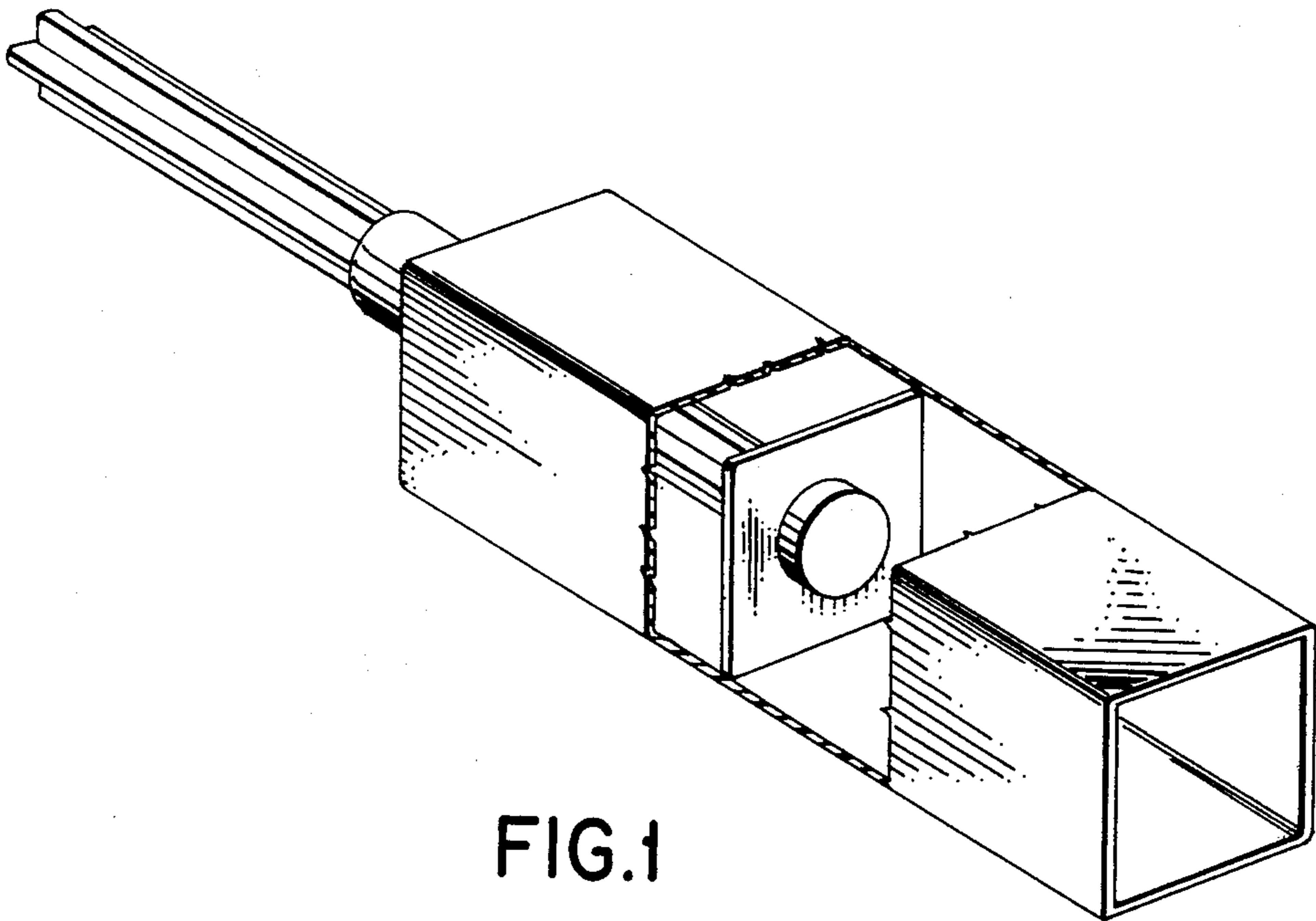


FIG. 1

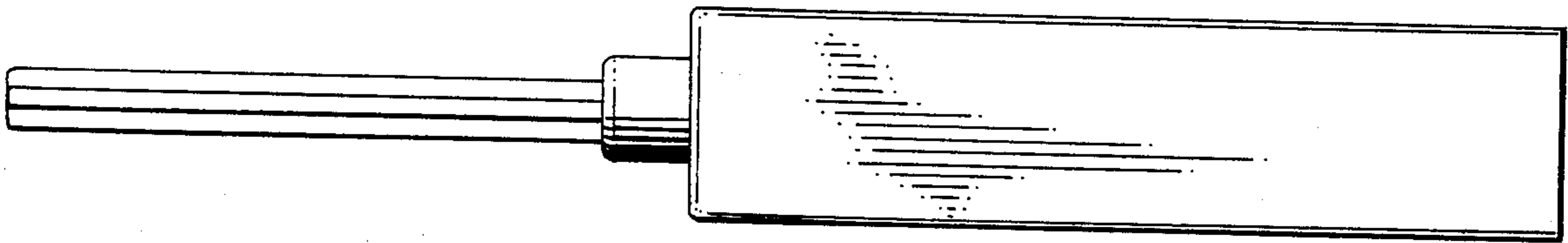


FIG. 2

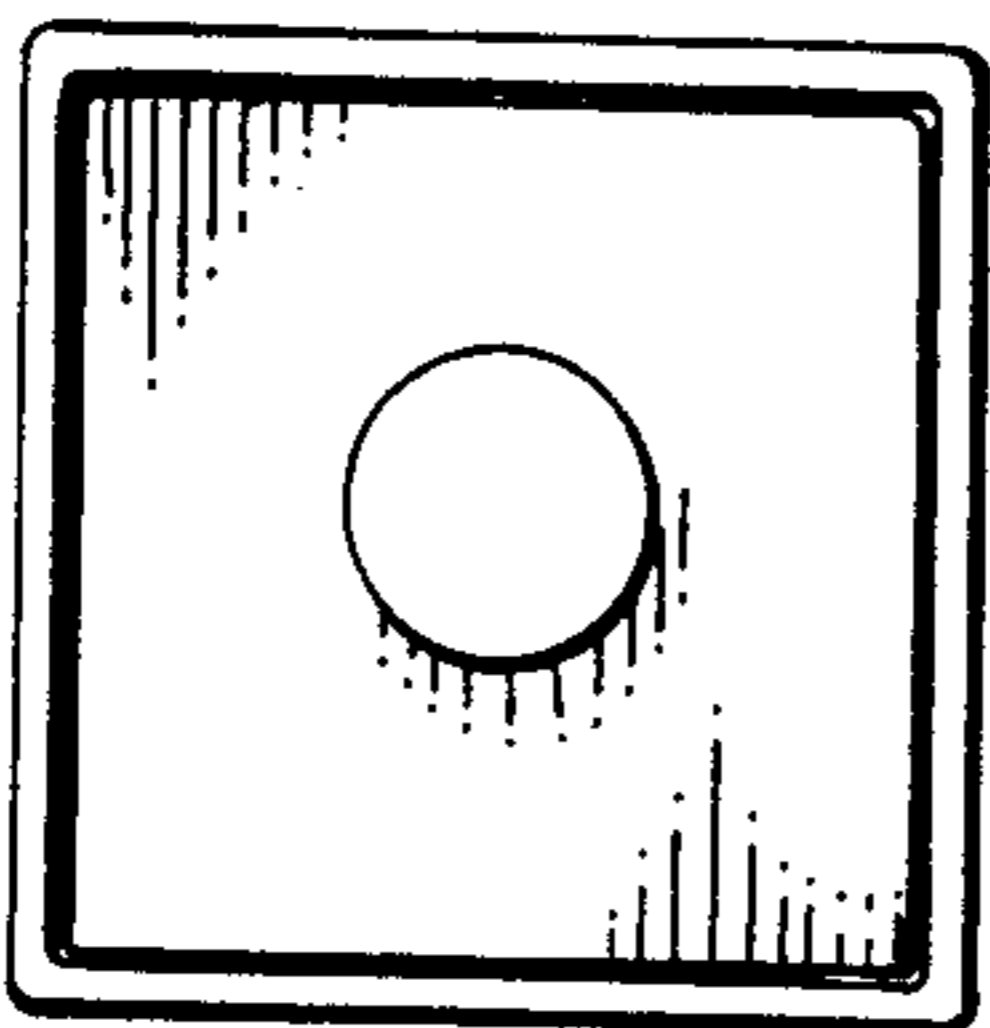


FIG. 3

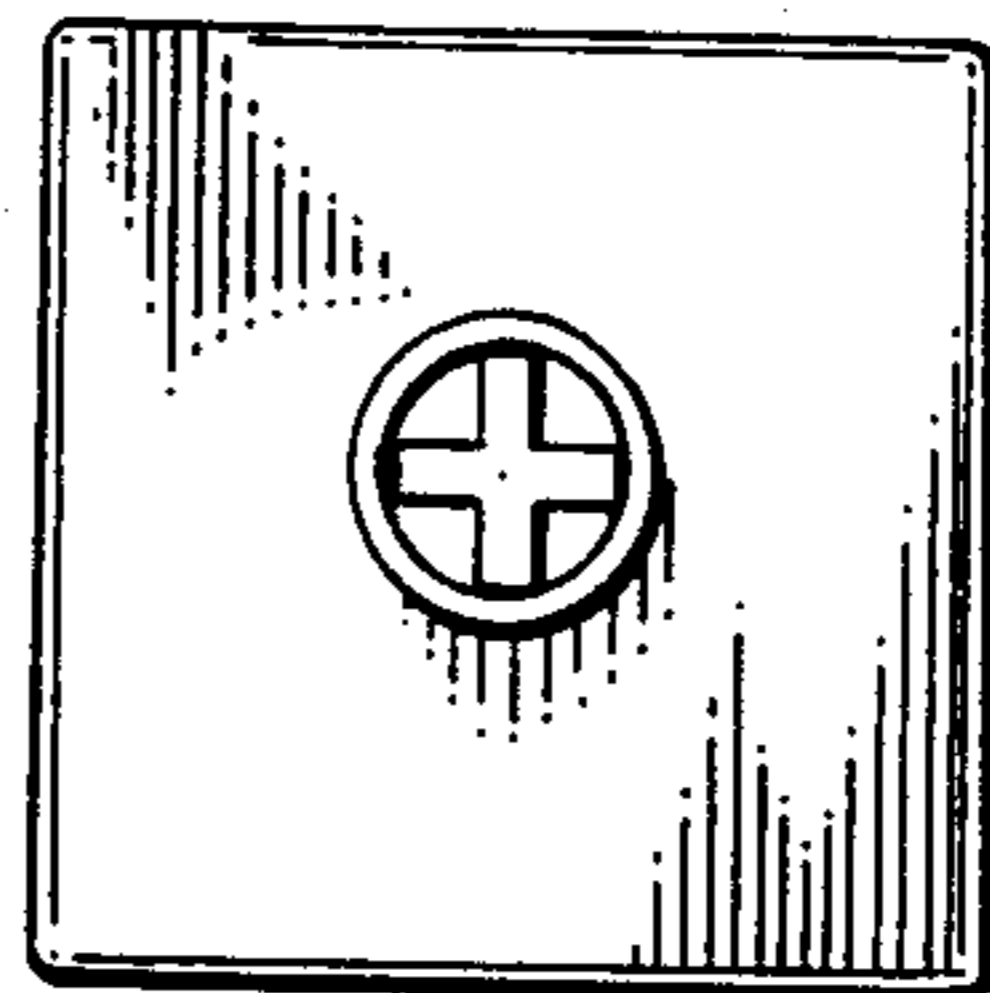


FIG. 4