

[54] NOVELTY CUP

[76] Inventor: Makoto M. Iwashita, 1222 Glenmorie Drive, Lake Oswego, Oreg. 97034

[**] Term: 14 Years

[21] Appl. No.: 598,677

[22] Filed: July 23, 1975

[51] Int. Cl. D7-01

[52] U.S. Cl. D7/8

[58] Field of Search D7/6-15, D7/20, 22, 39, 50, 132

[56] References Cited

U.S. PATENT DOCUMENTS

- D. 4,921 5/1871 Fowle D7/8
- D. 7,180 2/1874 Nottbeck D87/1 R
- D. 165,336 12/1951 Kinkade D7/29 X

FOREIGN PATENT DOCUMENTS

- 12,250 5/1906 United Kingdom D59/2 R

OTHER PUBLICATIONS

The Country Gourmet, © 1973, rec'd. 2-13-74, p. 53, "Frog-in-a-Mug" No. 5434, bottom middle.

Monongah Glass, Apr. 1st, 1920, Cat. No. 6, p. 62, item No. 1572, beer mug at top left.

Primary Examiner—Winifred E. Herrmann
Attorney, Agent, or Firm—Eugene M. Eckelman

[57] CLAIM

The ornamental design for a novelty cup, as shown and described.

DESCRIPTION

FIG. 1 is a top plan view of a novelty cup showing a first embodiment of my new design;

FIG. 2 is a bottom plan view thereof;

FIG. 3 is an elevational view of one side of the novelty cup;

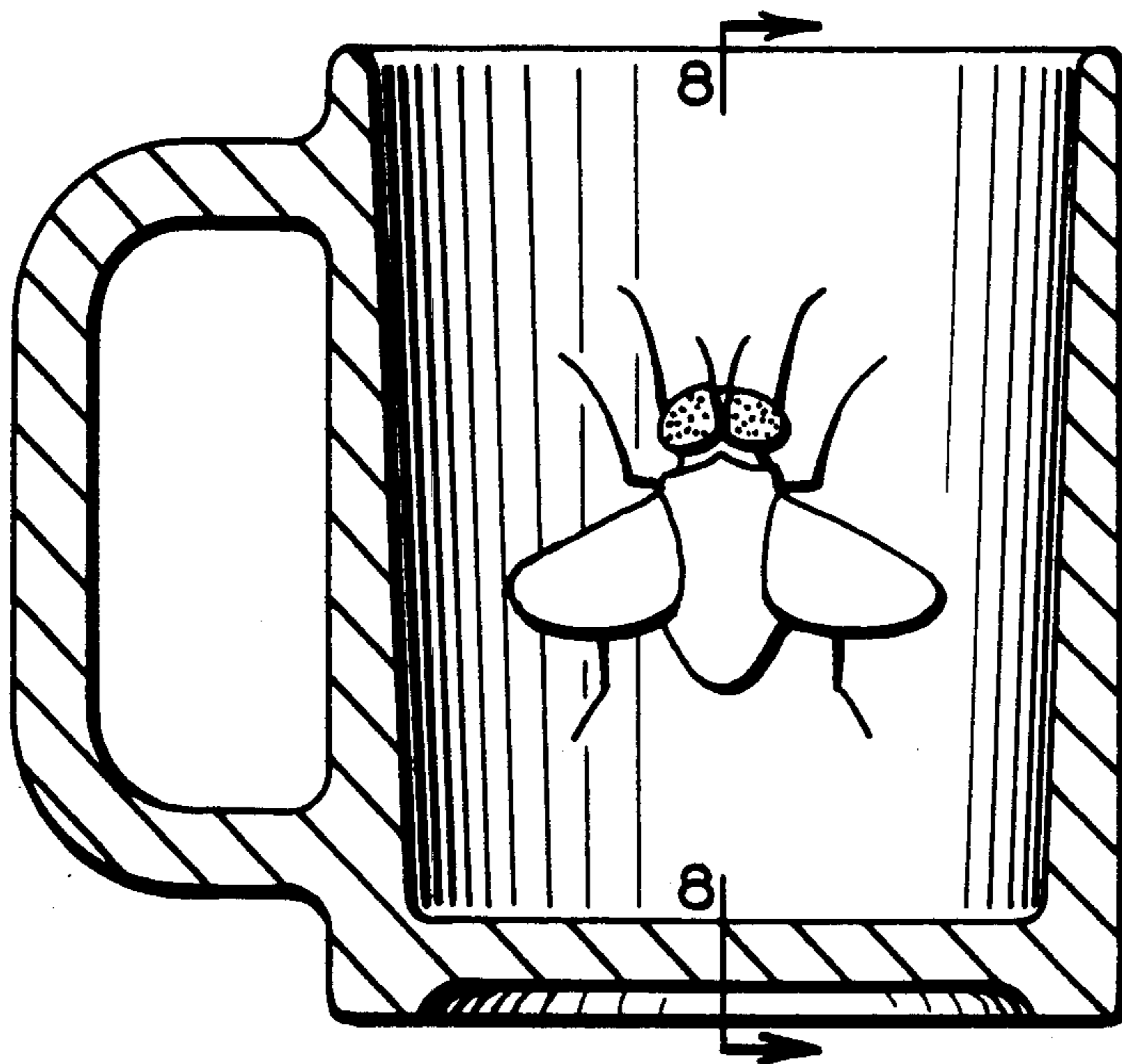
FIG. 4 is an elevational view of the other side of the novelty cup;

FIG. 5 is a sectional view taken on the line 5-5 of FIG. 1;

FIG. 6 is a sectional view taken on the line 6-6 of FIG. 1;

FIG. 7 is a sectional view taken on a line similar to FIG. 5 and showing a second form of my novelty cup, this cup being the same as the FIG. 1 embodiment with the exception that the fly is on the bottom wall rather than on the side wall; and

FIG. 8 is a sectional view taken on the line 8-8 of FIG. 7.



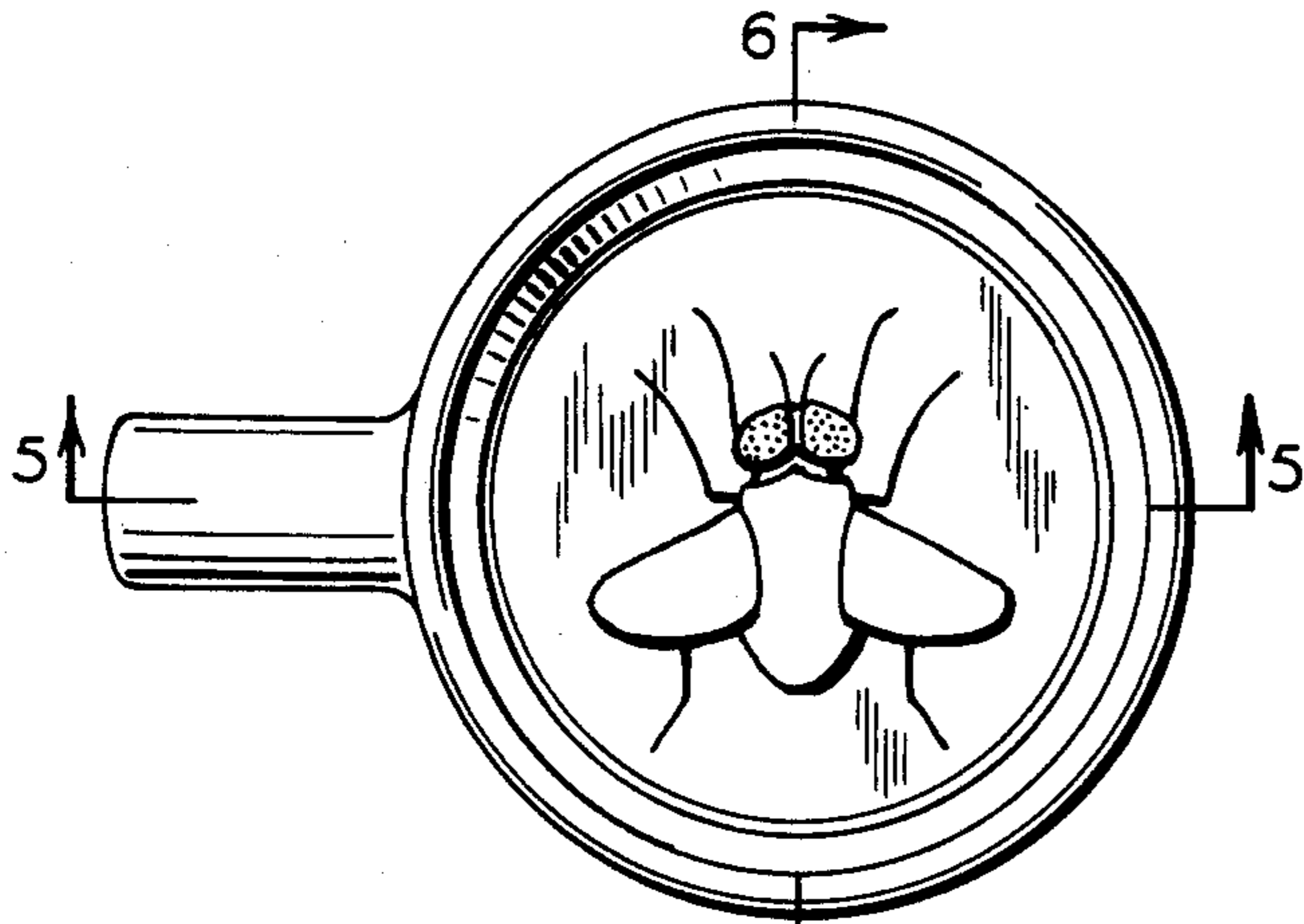


FIG. 1

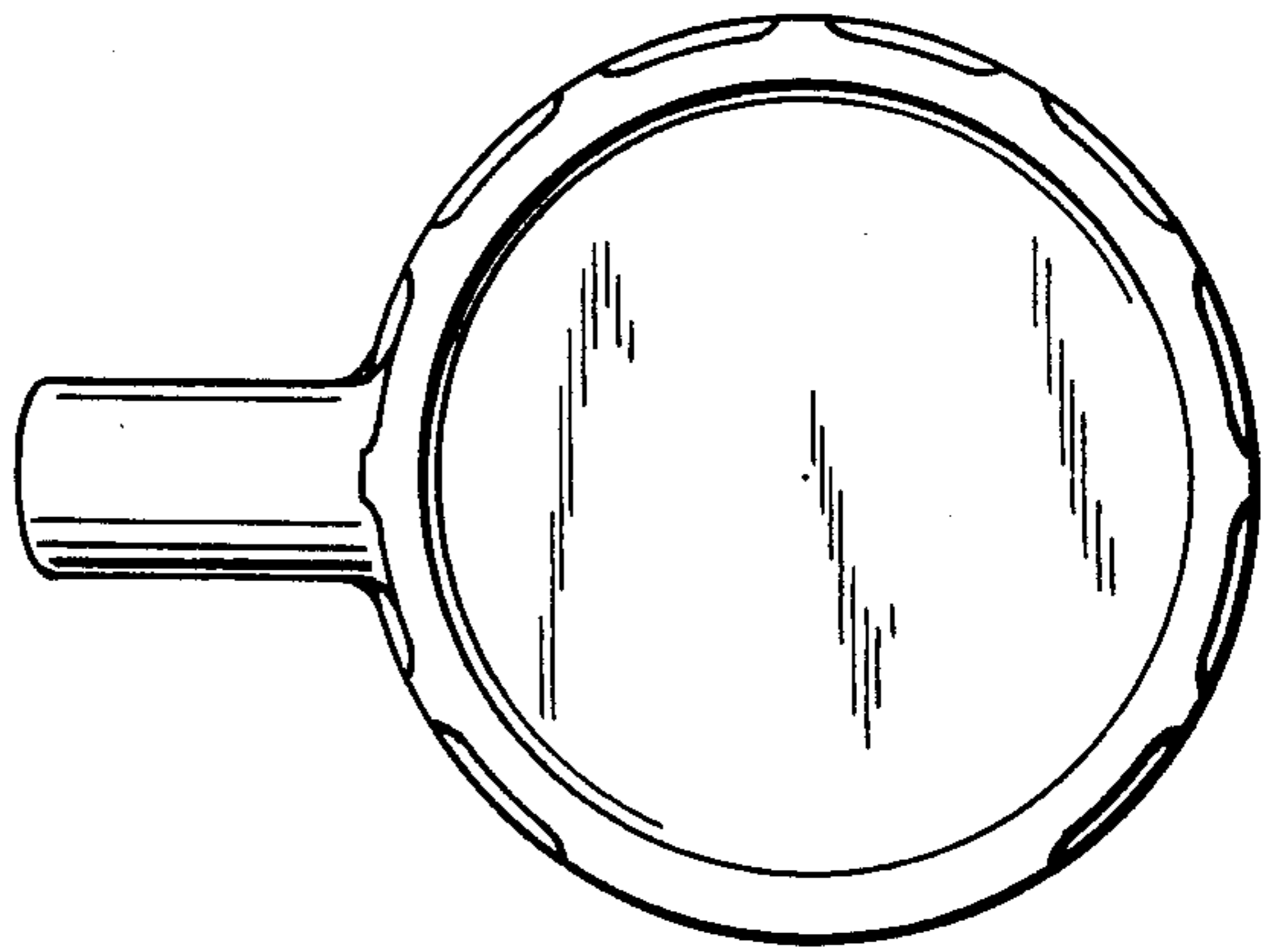


FIG. 2

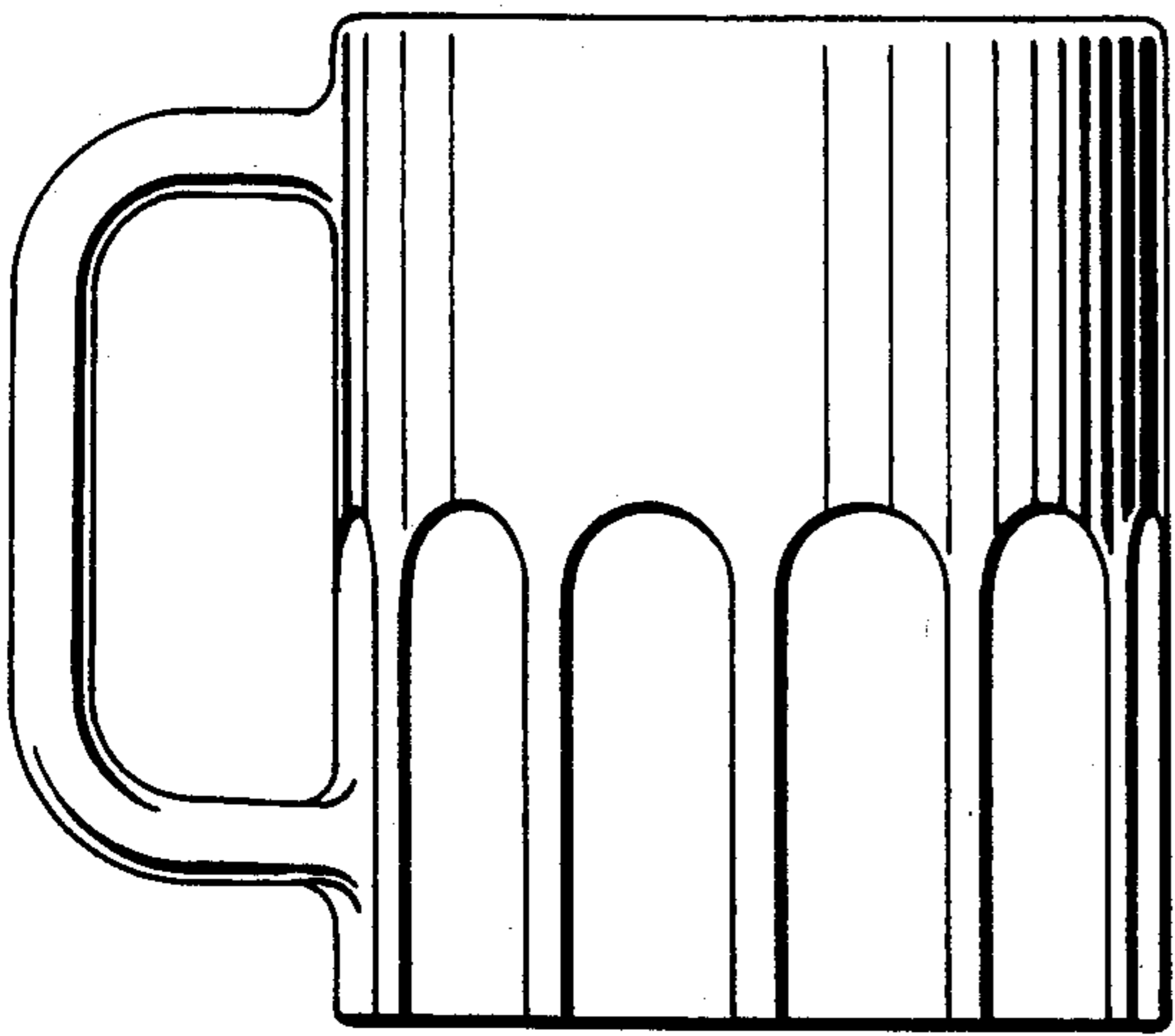


FIG. 3

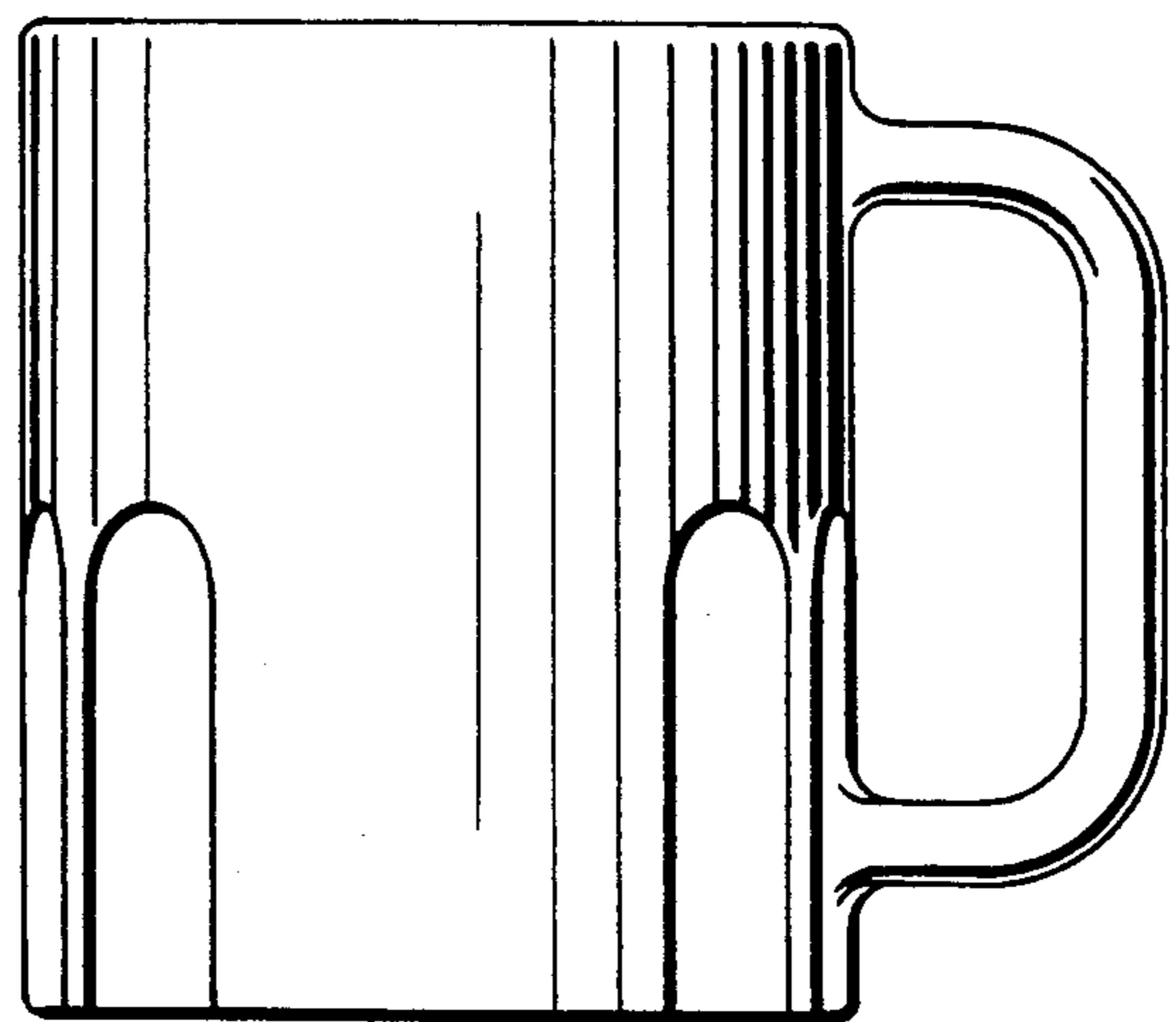


FIG. 4

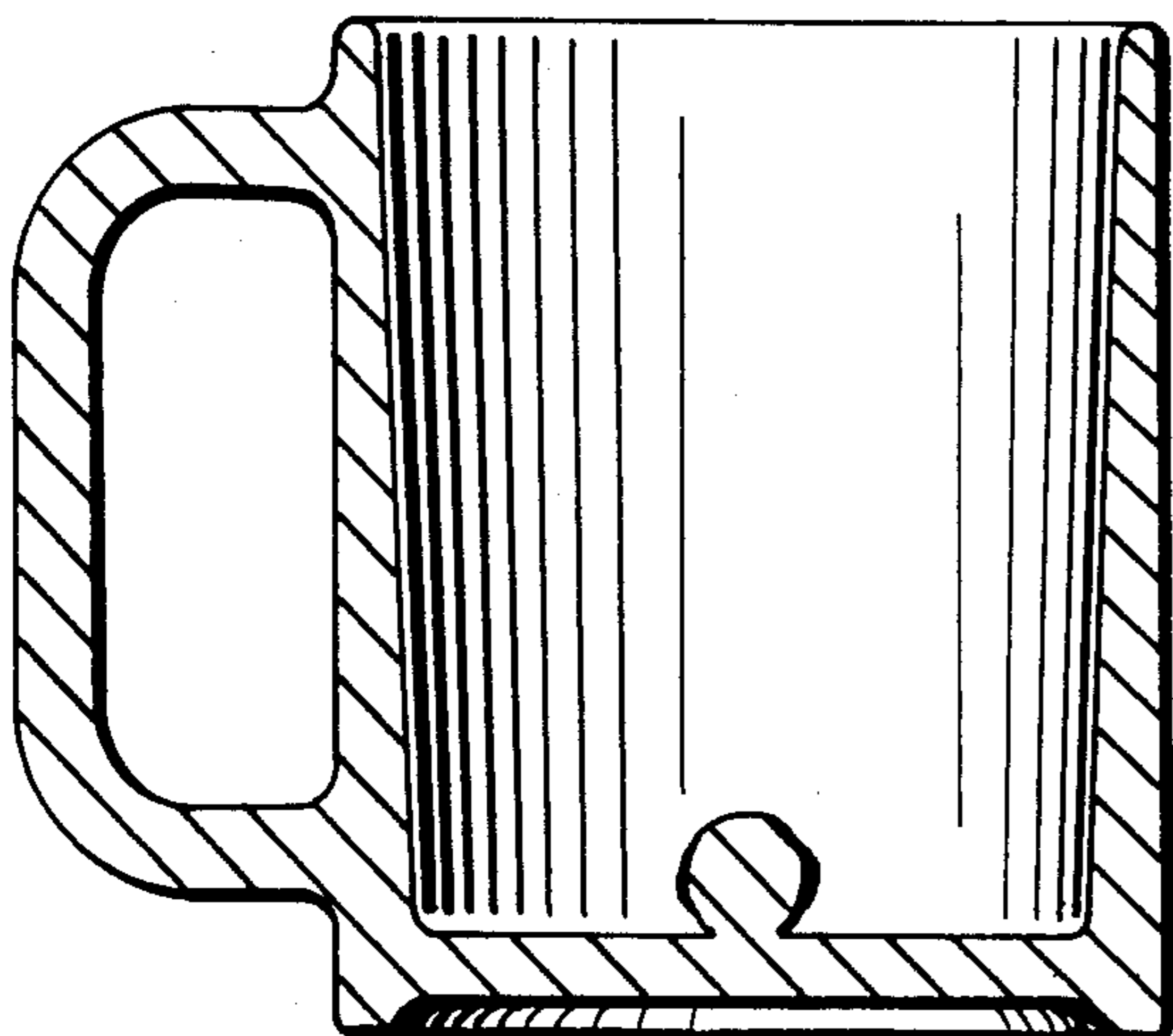


FIG. 5

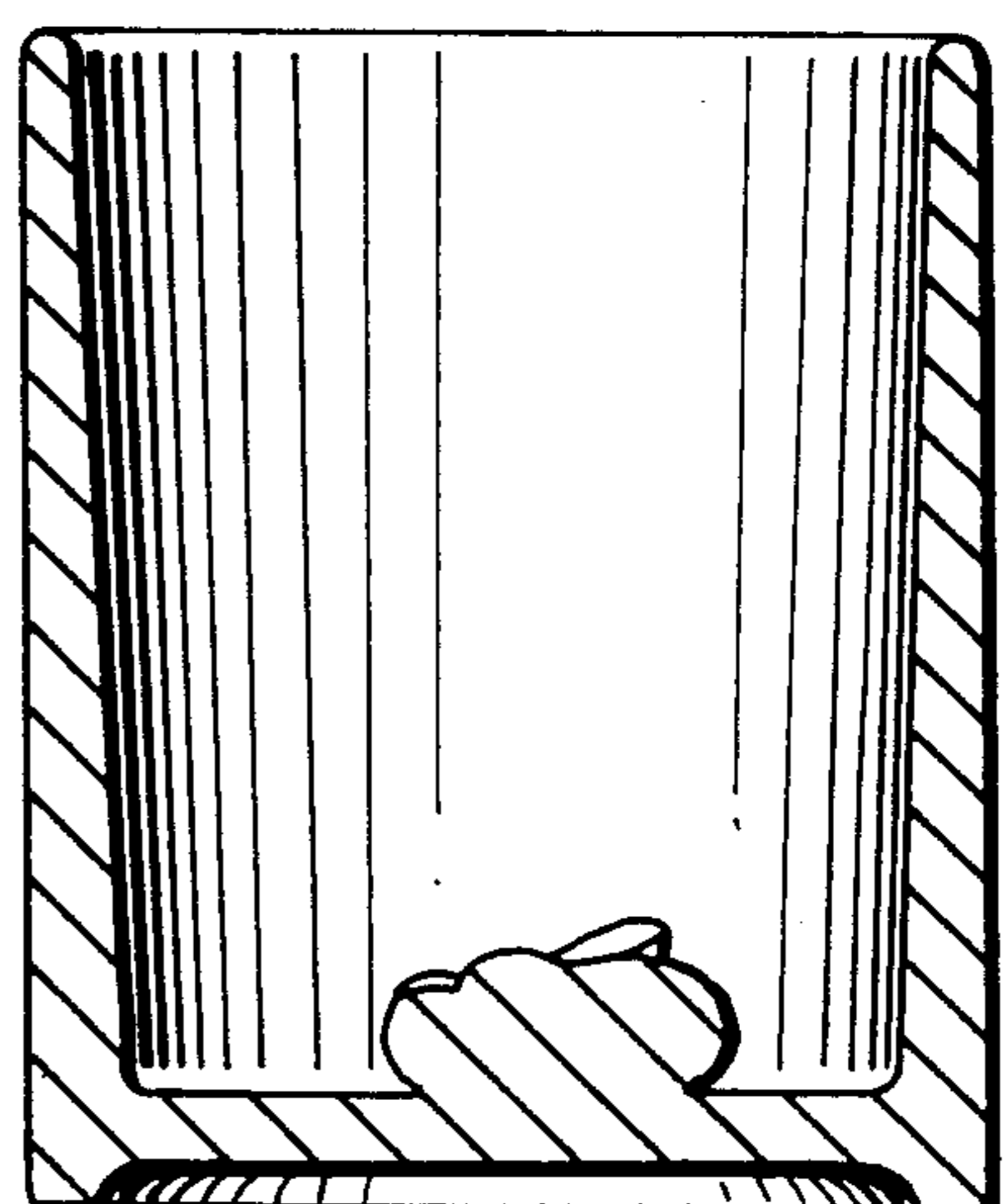


FIG. 6

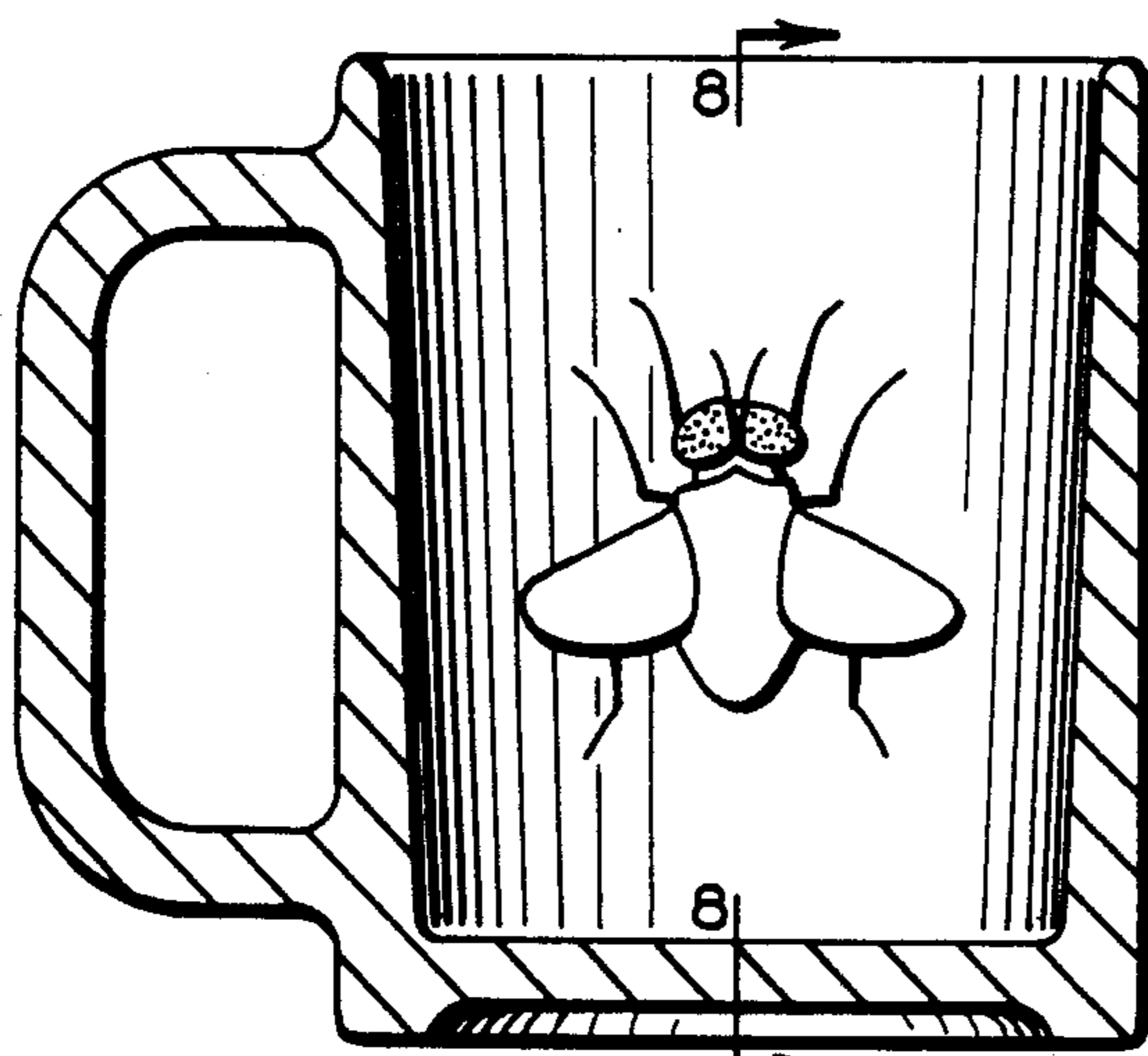


FIG. 7

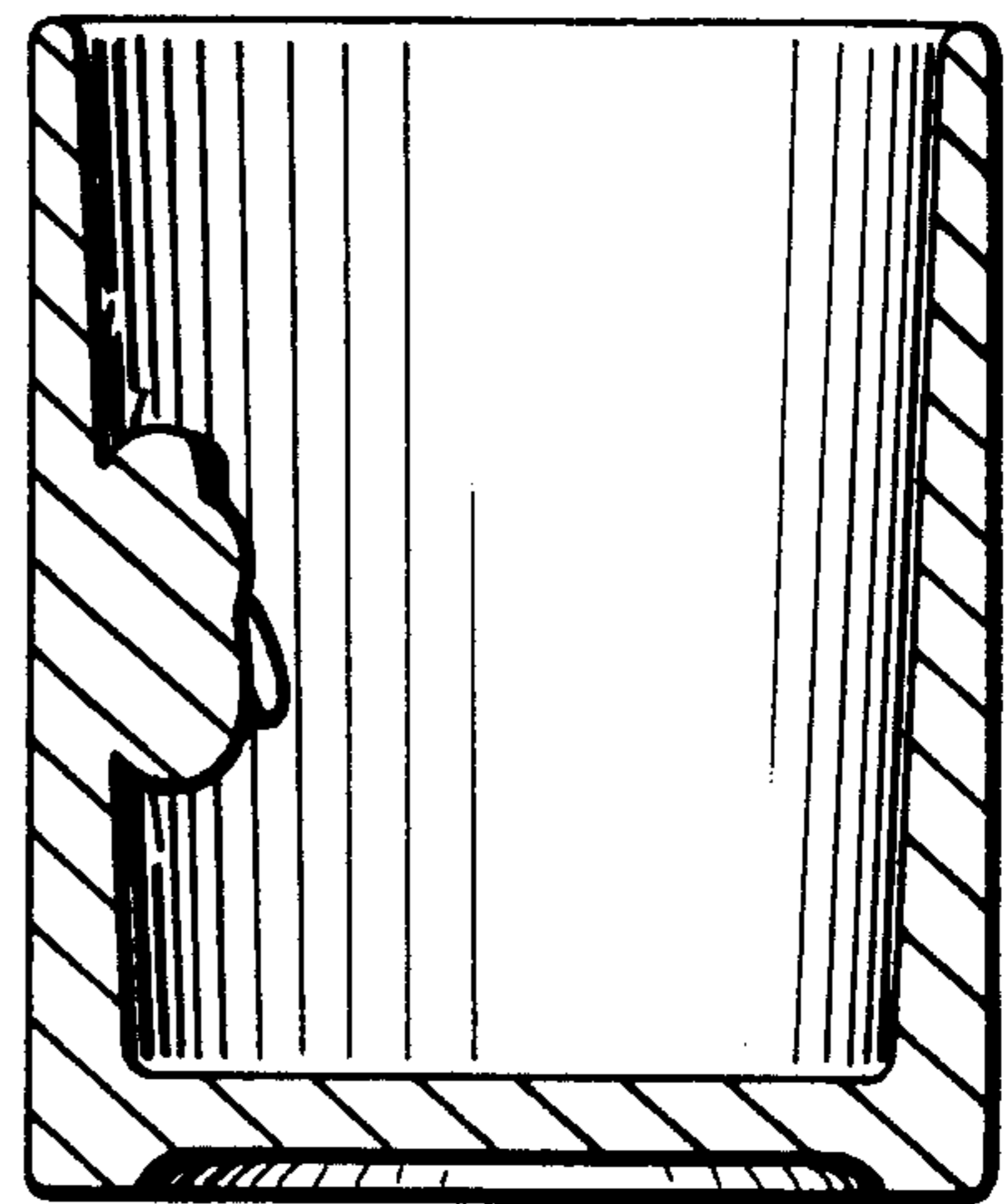


FIG. 8