

- [54] BELT BUCKLE
- [75] Inventors: Ronal L. Adams; Forest E. Brown,
both of Phoenix, Ariz.
- [73] Assignee: Drummond, Nelson & Ptak
- [**] Term: 14 Years
- [21] Appl. No.: 603,325
- [22] Filed: Aug. 11, 1975
- [51] Int. Cl. D2-07
- [52] U.S. Cl. D2/431
- [58] Field of Search D2/380, 381, 385, 386,
D2/426-427, 430-434, 442, 444, 447, 451;
24/163 R, 163 KO, 163 BR; D30/35; D8/268;
168/4, 17, 23

- [56] **References Cited**
- U.S. PATENT DOCUMENTS**
- 3,603,402 9/1971 McDonnell D30/38 UX
- D. 173,226 10/1954 Kelman D2/433

D. 241,090 8/1976 Deaver D2/427 UX

OTHER PUBLICATIONS

American Shoemaking, June 27, 1955, p. 14, belt buckle at center.
 Life, Oct. 21, 1946, p. 105, belt buckle at center.
 Life, Sept. 27, 1943, p. 131, belt buckle at center.
 Old Western Forge Cat., Apr. 28, 1968, p. 8, horseshoe bracket for gong (c).

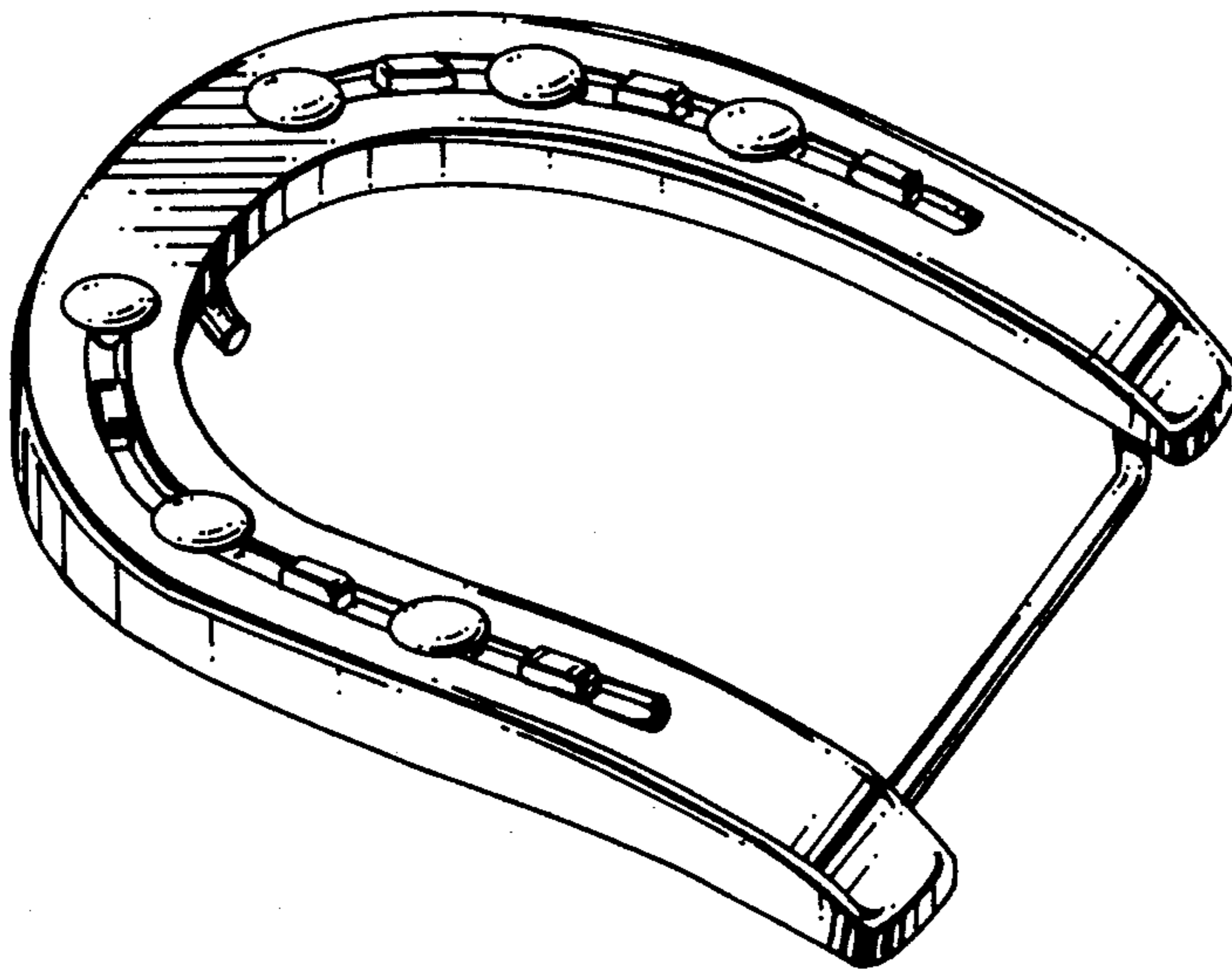
Primary Examiner—Nelson C. Holtje
Attorney, Agent, or Firm—Don J. Flickinger

[57] **CLAIM**

The ornamental design for a belt buckle, as shown.

DESCRIPTION

FIG. 1 is a front perspective view of a belt buckle showing our new design;
 FIG. 2 is a rear perspective thereof;
 FIG. 3 is a front elevational view thereof;
 FIG. 4 is a right end elevational view thereof.



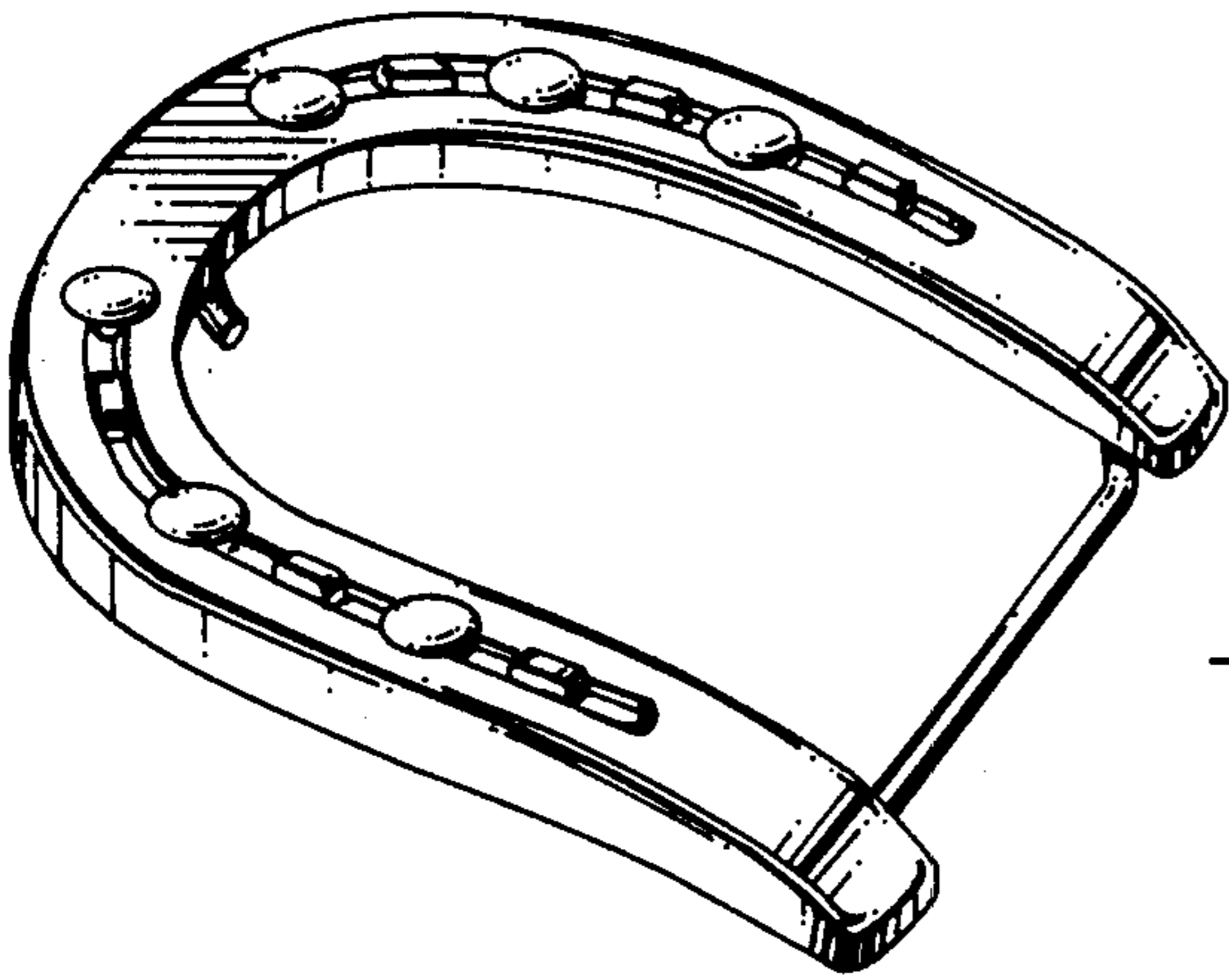


FIG. 1

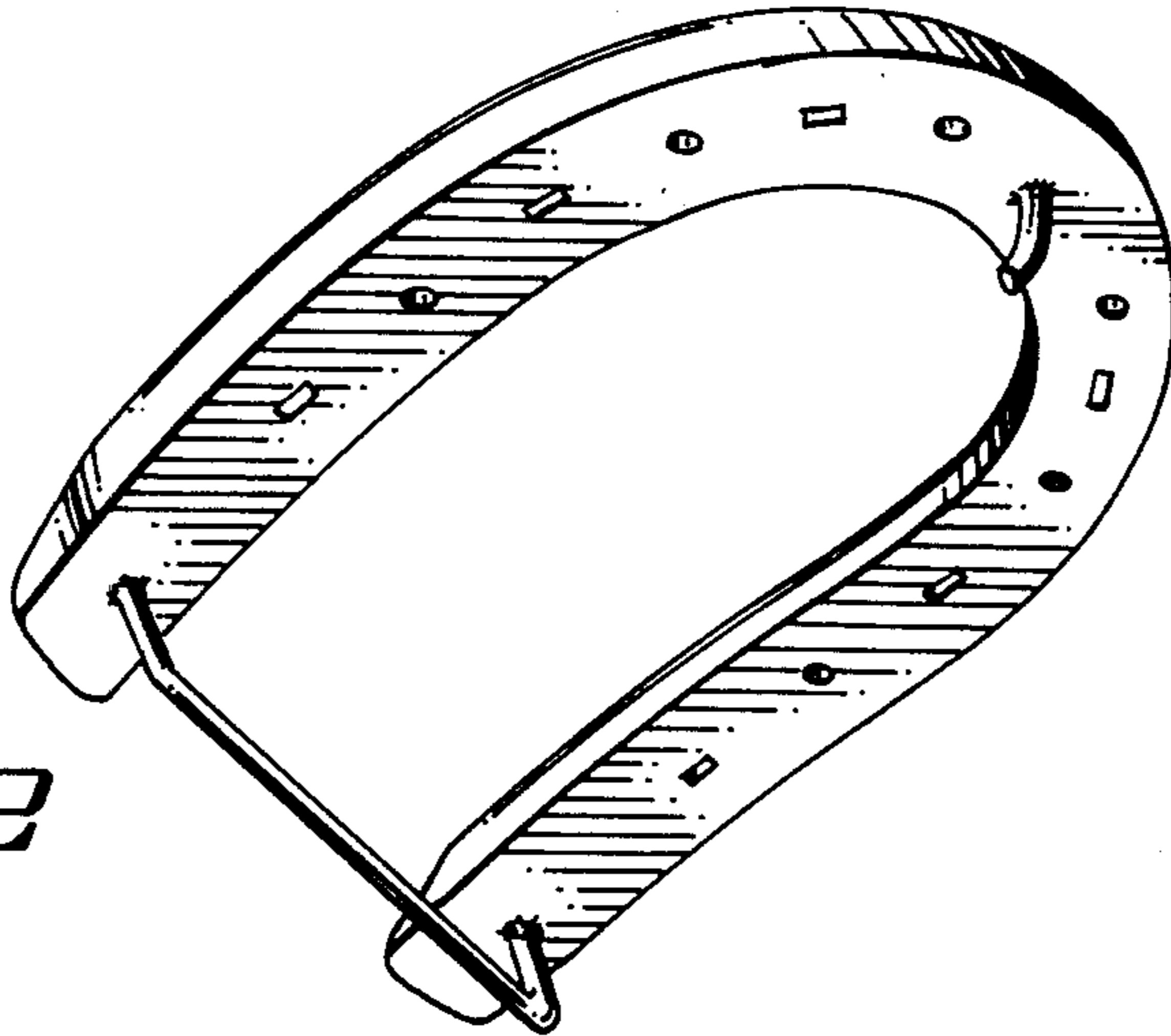


FIG. 2

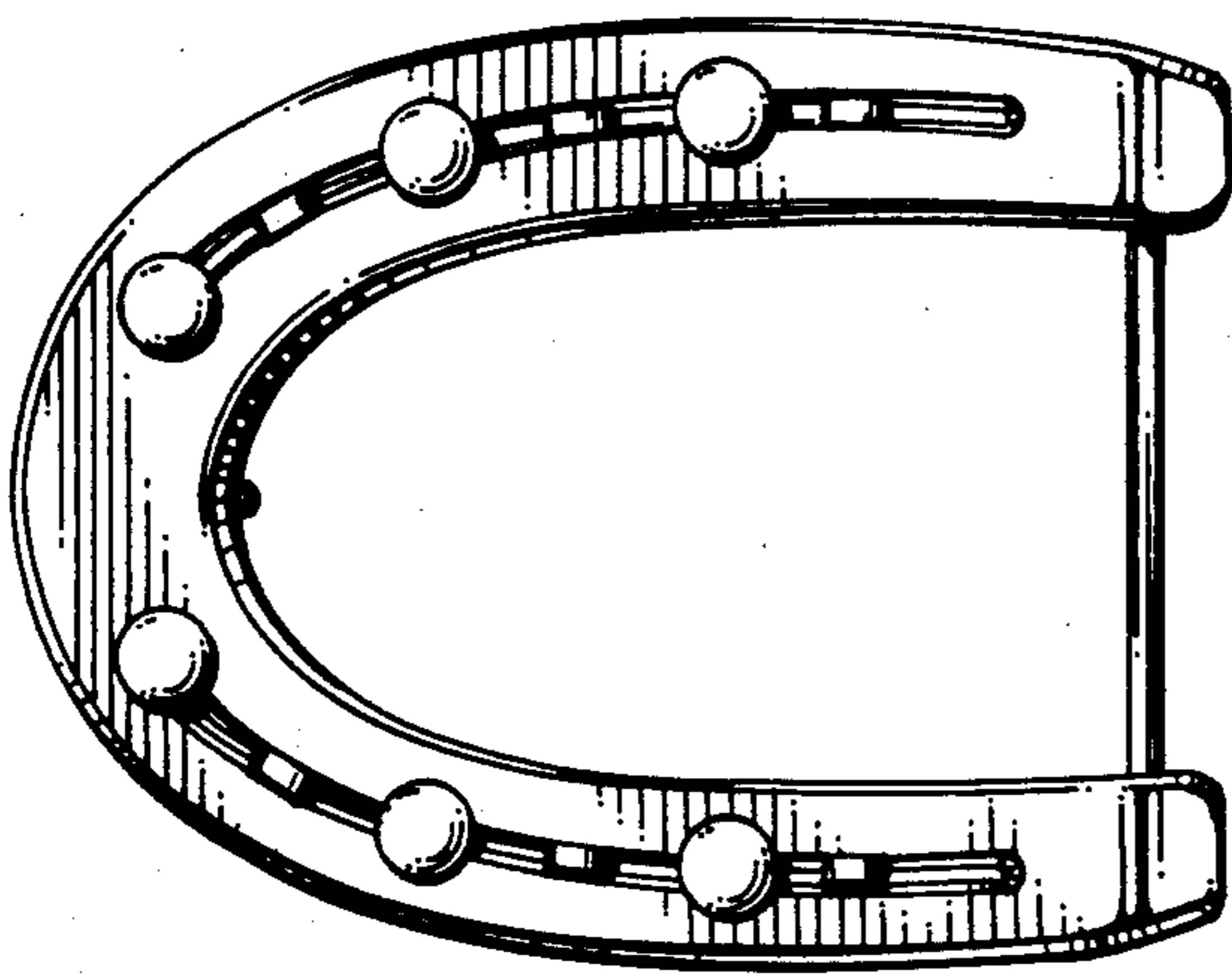


FIG. 3

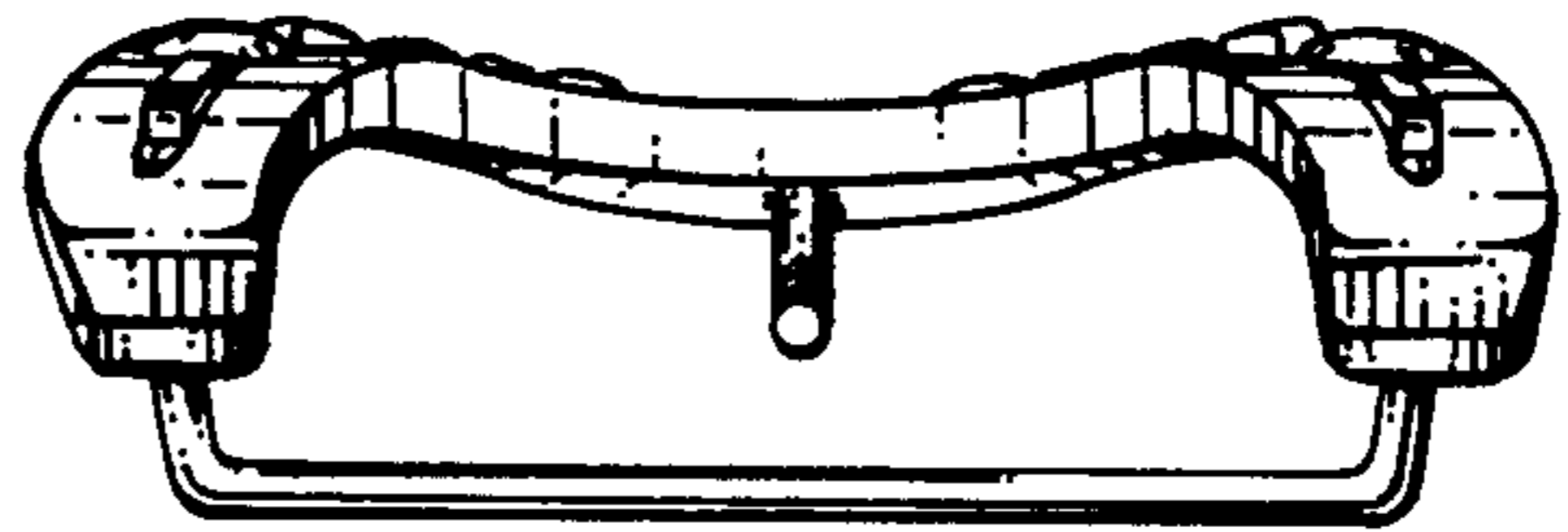


FIG. 4