

[54] **CURLING IRON ATTACHMENT**  
[75] **Inventor:** Martin Jay Wolff, West Haven,  
Conn.  
[73] **Assignee:** Sperry Rand Corporation,  
Bridgeport, Conn.  
[\*\*] **Term:** 14 Years  
[21] **Appl. No.:** 648,187  
[22] **Filed:** Jan. 12, 1976  
[51] **Int. Cl.** ..... D28—03  
[52] **U.S. Cl.** ..... D28/35  
[58] **Field of Search** ..... D86/10 A, 10 E;  
219/222, 225; 132/7, 9, 37 R, 37 A

558,533 4/1896 Thomas et al. .... 132/37 R  
1,553,342 9/1925 Vaughan ..... 219/222 X  
D. 238,715 2/1976 McNair ..... D86/10 E  
D. 239,663 4/1976 Long et al. .... D86/10 E

*Primary Examiner*—Joel Stearman  
*Assistant Examiner*—Louis S. Zarfes  
*Attorney, Agent, or Firm*—Charles R. Miranda

[57] **CLAIM**

The ornamental design for a curling iron attachment,  
substantially as shown and described.

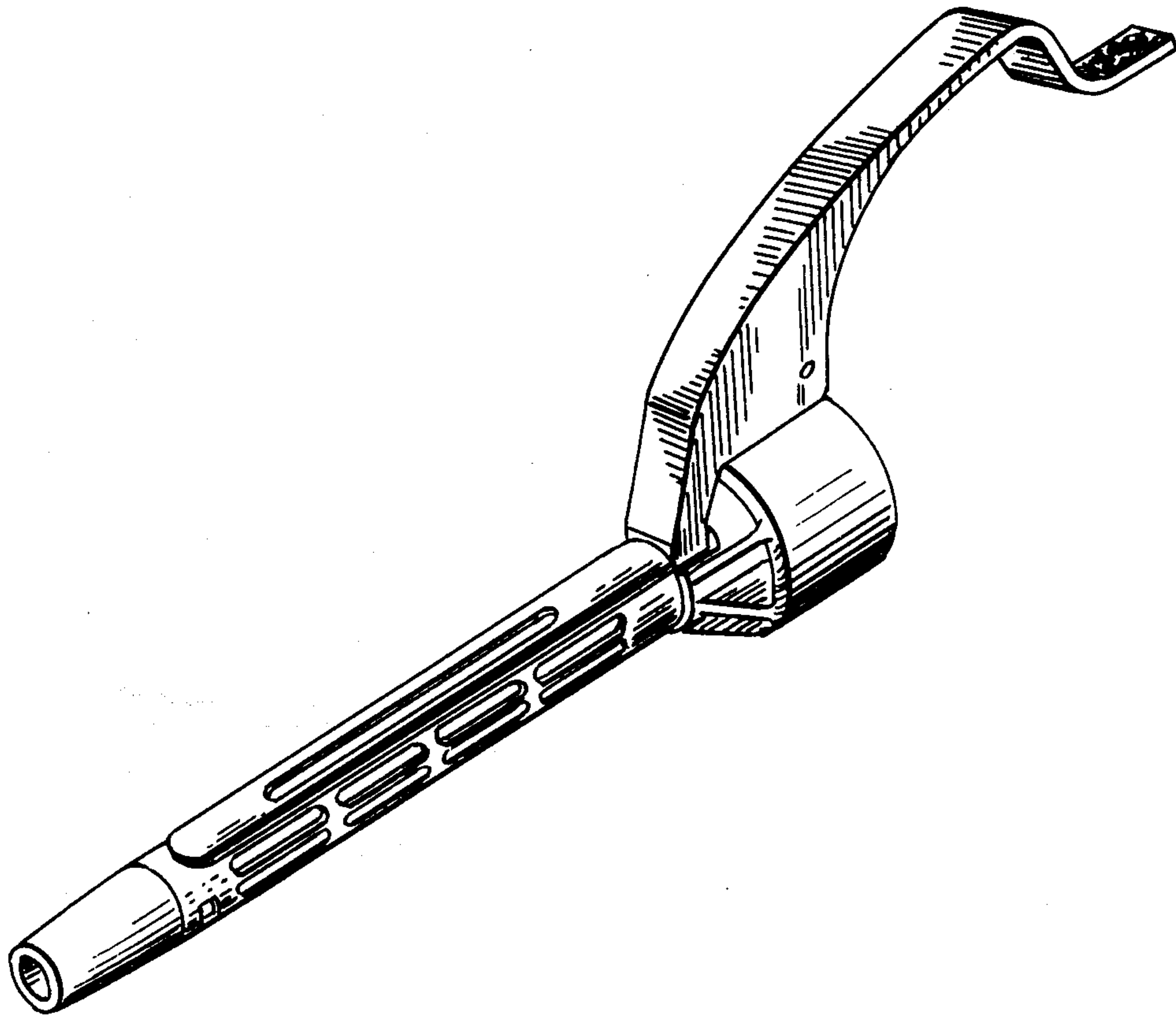
**DESCRIPTION**

FIG. 1 is a perspective view of the front and right side  
of a curling iron attachment showing my new design;  
FIG. 2 is a front elevational view thereof;  
FIG. 3 is a rear end elevational view thereof;  
FIG. 4 is a top plan view thereof;  
FIG. 5 is a right side elevational view thereof; and  
FIG. 6 is a bottom plan view thereof.

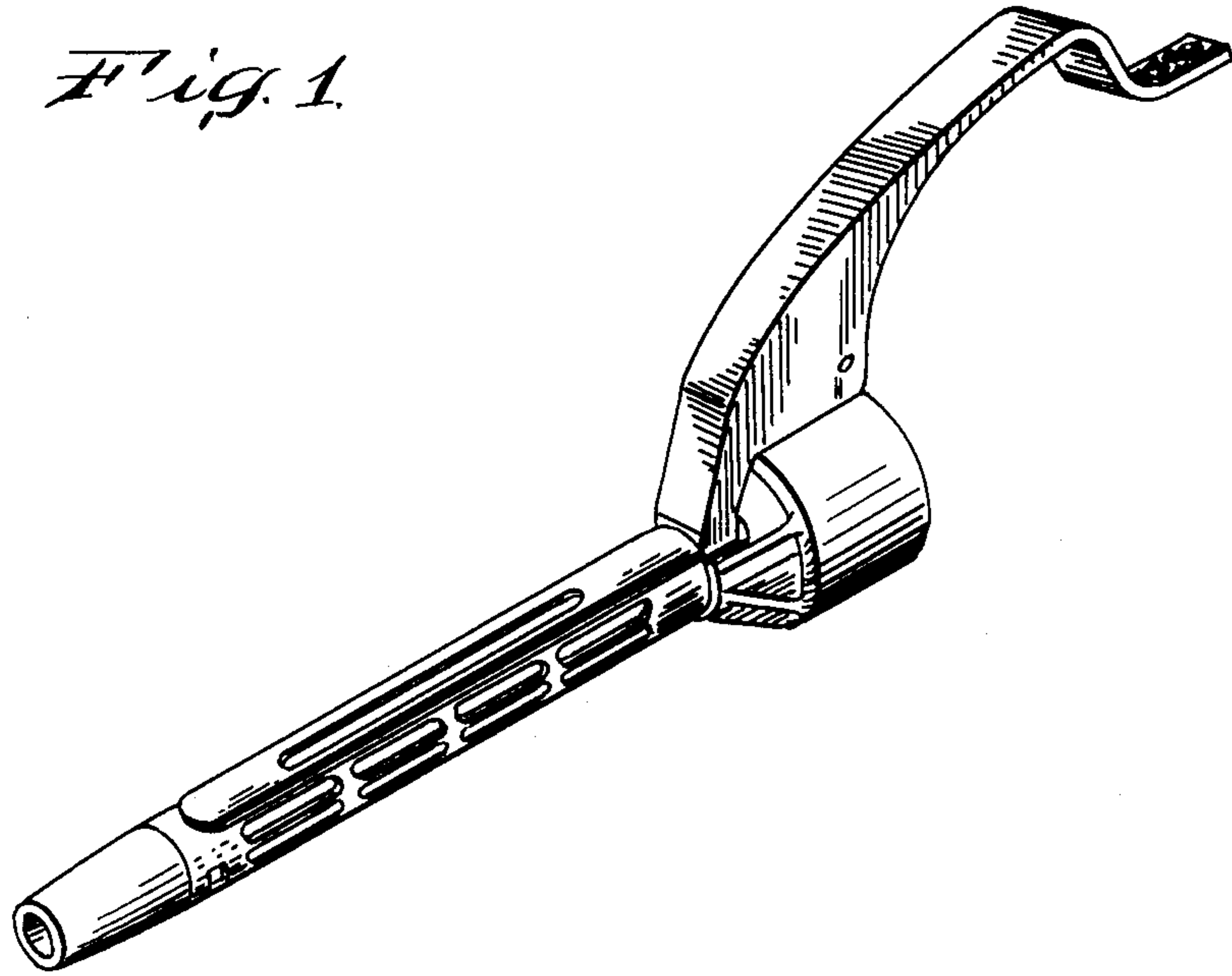
[56] **References Cited**

**U.S. PATENT DOCUMENTS**

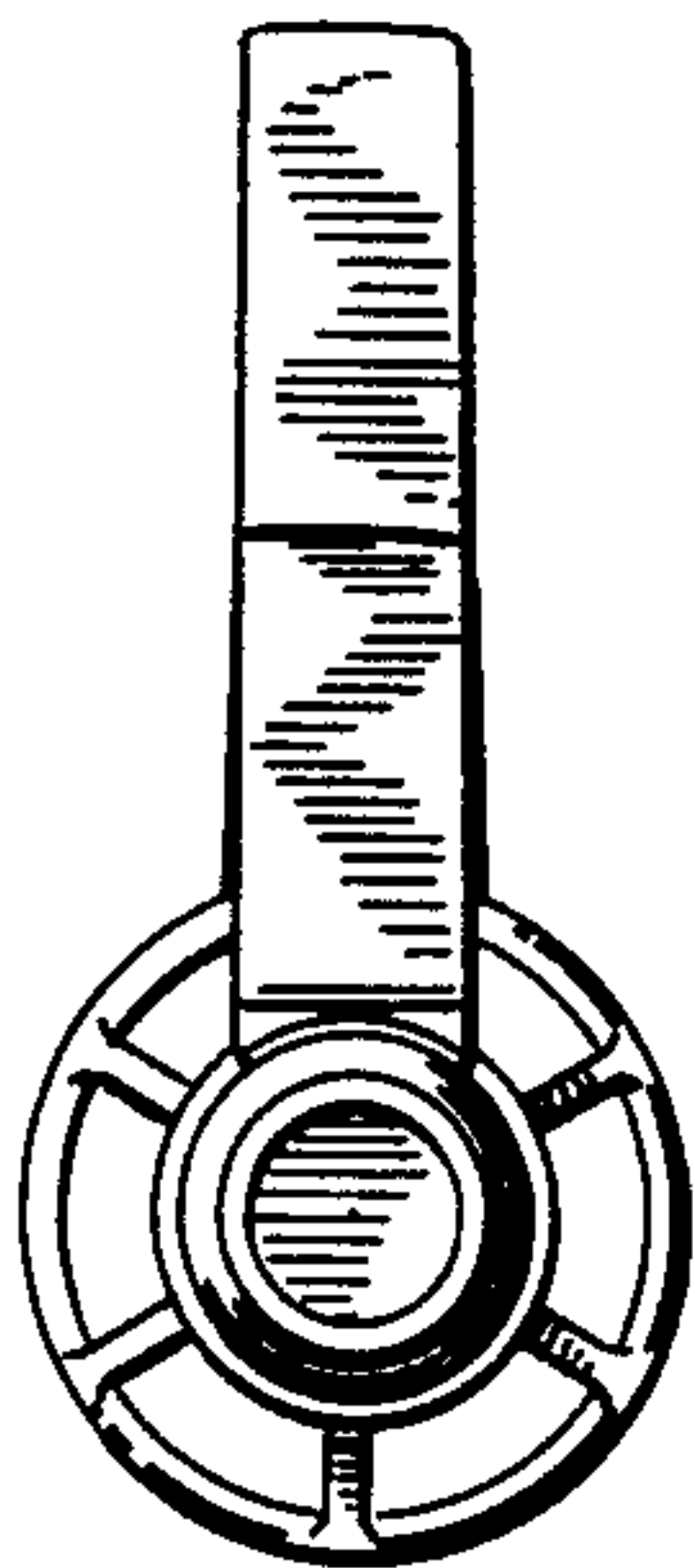
536,839 4/1895 Pitner ..... 219/225



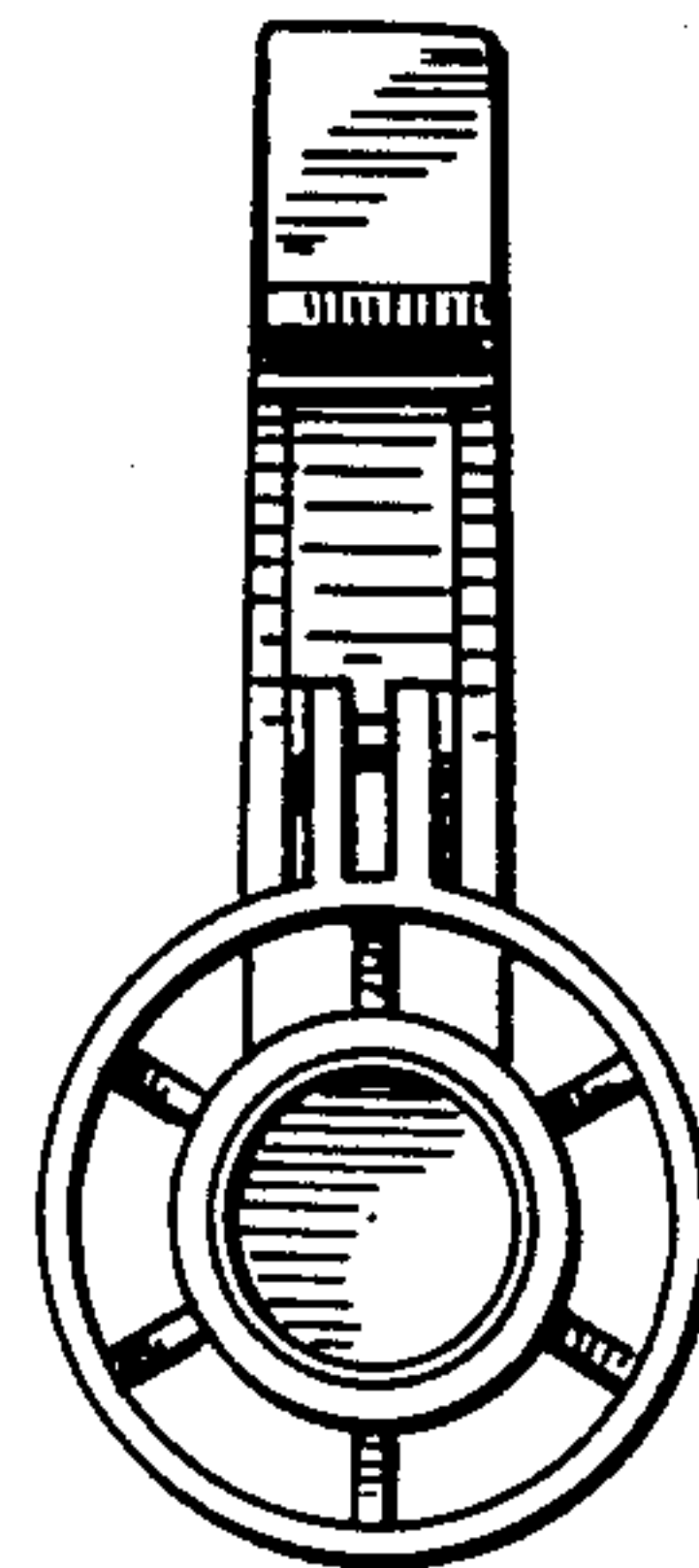
*Fig. 1.*



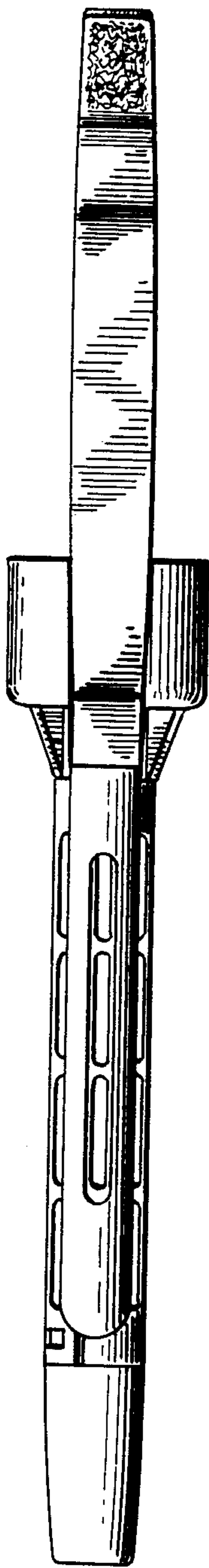
*Fig. 2.*



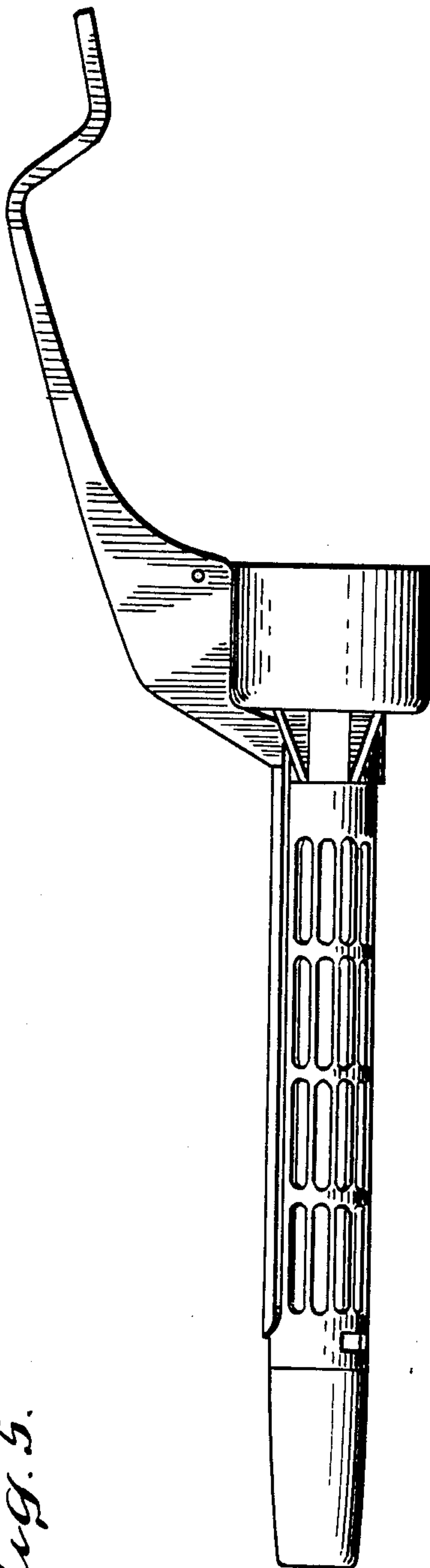
*Fig. 3.*



*Fig. 4.*



*Fig. 5.*



*Fig. 6.*

