

[54] ELECTROCARDIOGRAPH

[76] Inventor: Gerald J. Reiser, 1820 W. Edgerton Ave., Milwaukee, Wis. 53221

[\*\*] Term: 14 Years

[21] Appl. No.: 728,641

[22] Filed: Oct. 1, 1976

[51] Int. Cl. .... D24-01

[52] U.S. Cl. .... D24/17

[58] Field of Search ..... 128/2.06 R, 2.06 G; 346/1, 33 R, 134, 33 ME; D83/1 F

[56] References Cited

U.S. PATENT DOCUMENTS

- 3,082,970 3/1963 Rasmussen ..... 128/2.06 G
- 3,978,491 8/1976 Lenhart et al. .... 128/2.06 G

- D. 228,471 9/1973 Halper ..... D83/1 F
- D. 230,211 1/1974 Fuller ..... D83/1 F
- D. 238,971 2/1976 Nardi et al. .... D83/1 F

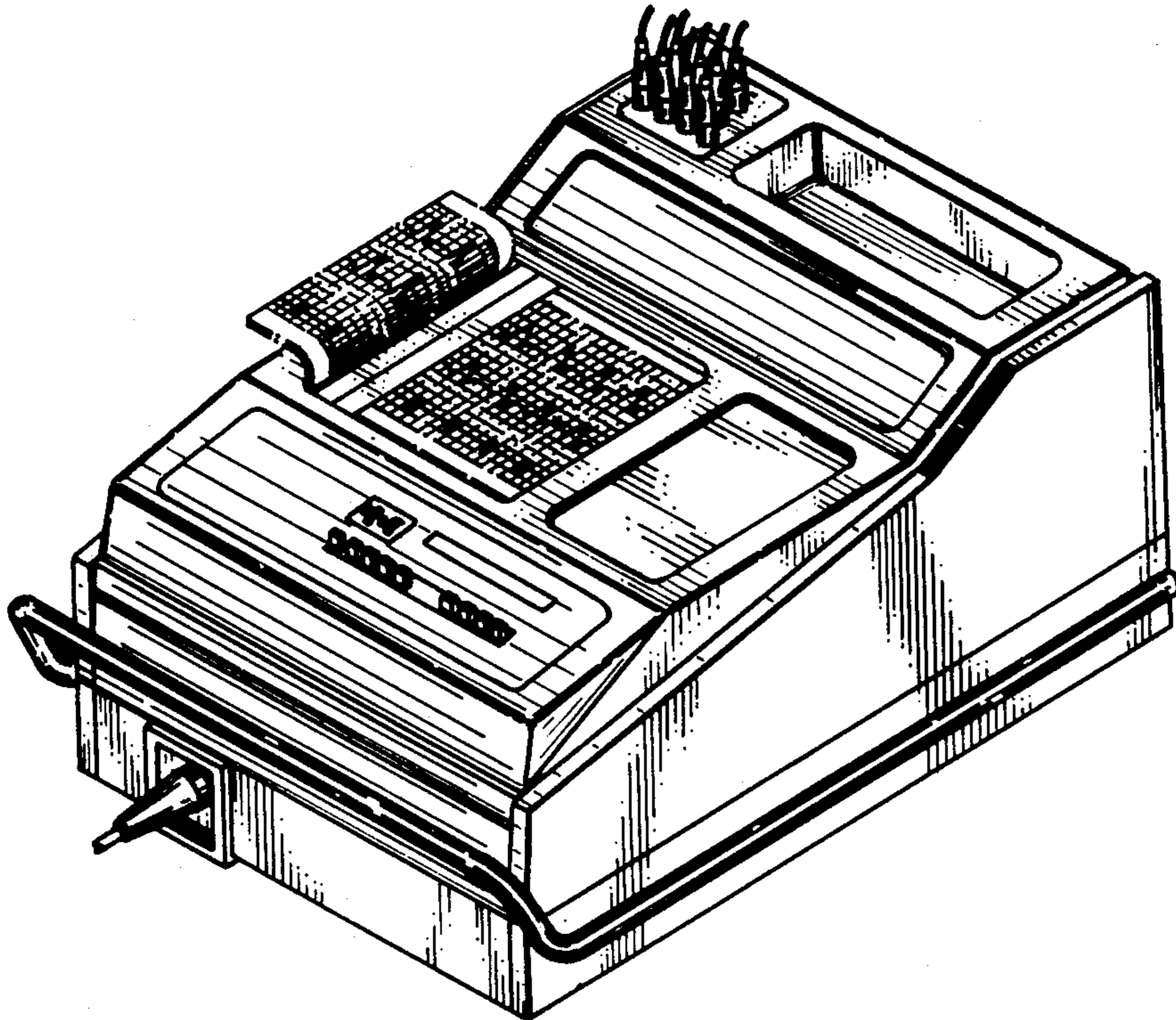
Primary Examiner—Bernard Ansher  
Attorney, Agent, or Firm—Andrus, Scales, Starke & Sawall

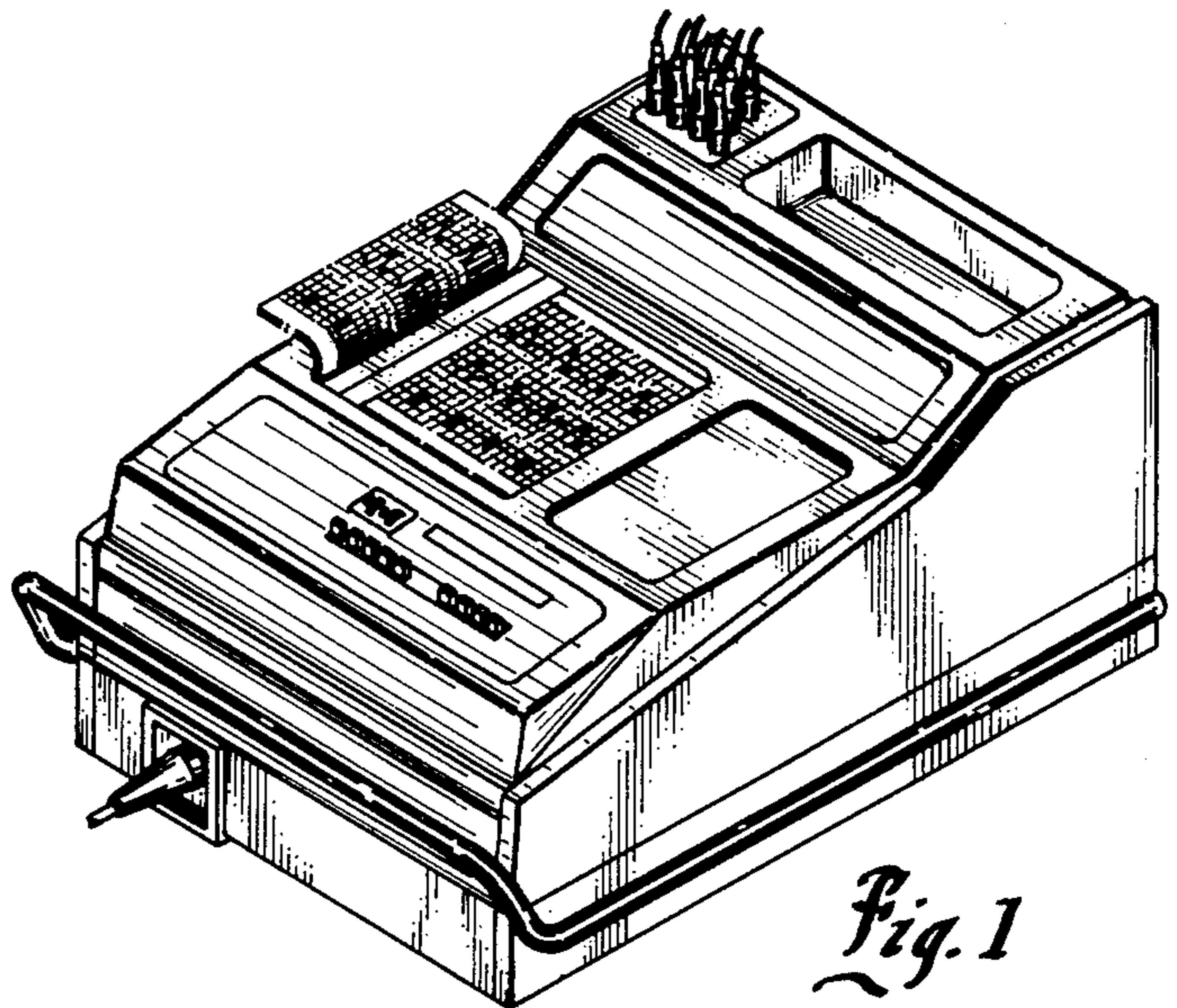
[57] CLAIM

The ornamental design for an electrocardiograph, as shown and described.

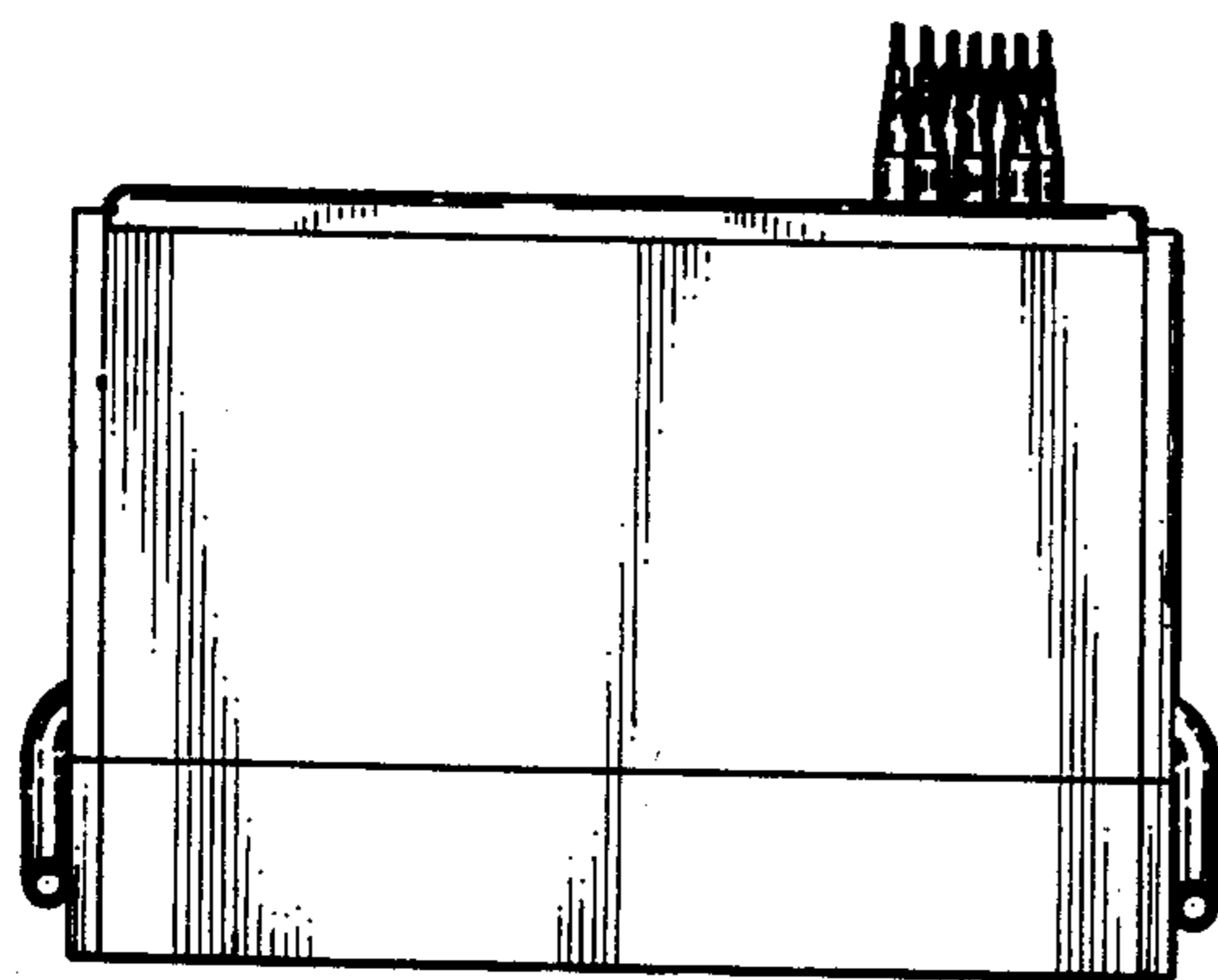
DESCRIPTION

FIG. 1 is a perspective view of an electrocardiograph of my new design;  
FIG. 2 is a side elevational view thereof;  
FIG. 3 is a top plan view thereof;  
FIG. 4 is a front elevational view thereof; and  
FIG. 5 is a rear elevational view thereof.

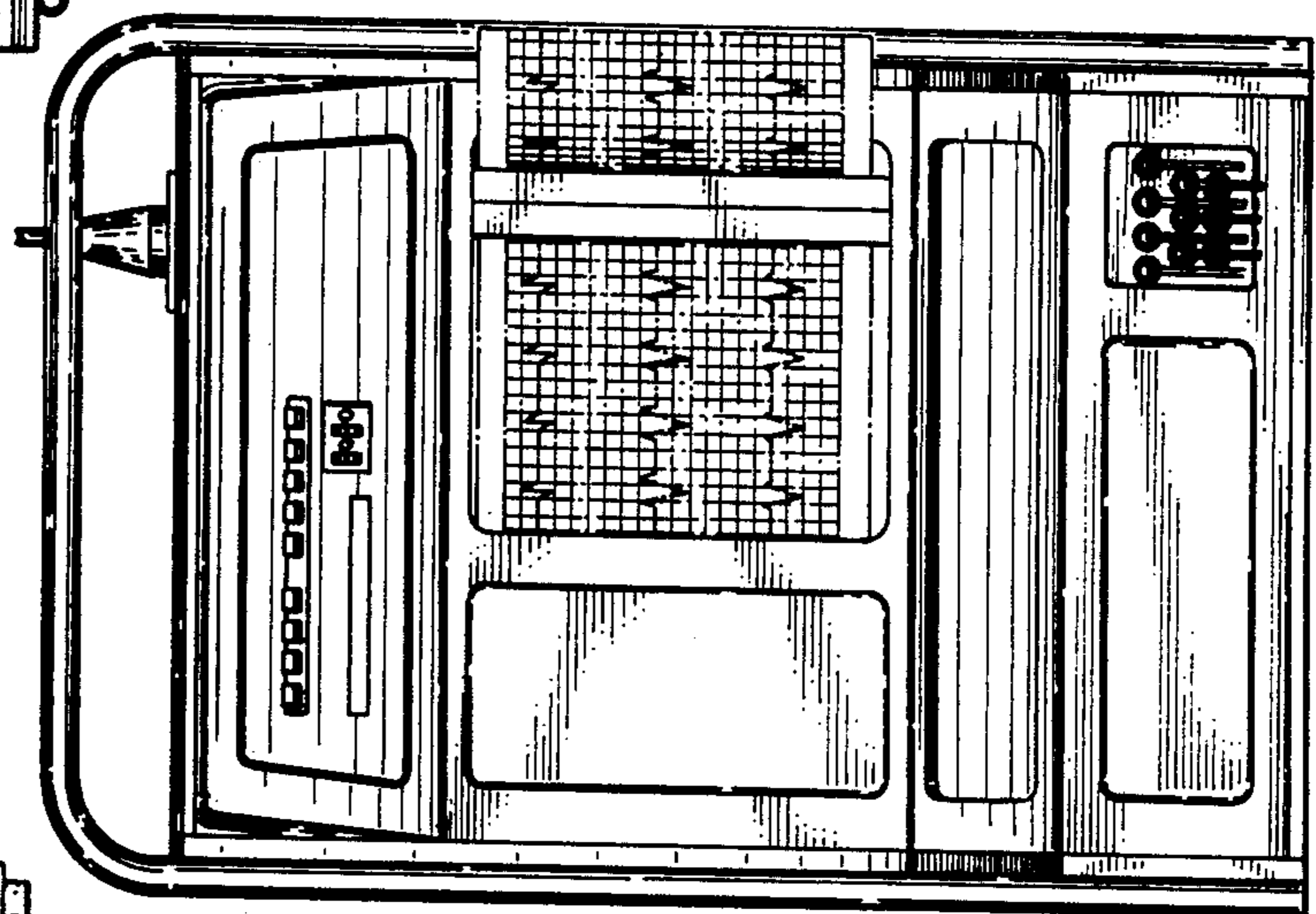




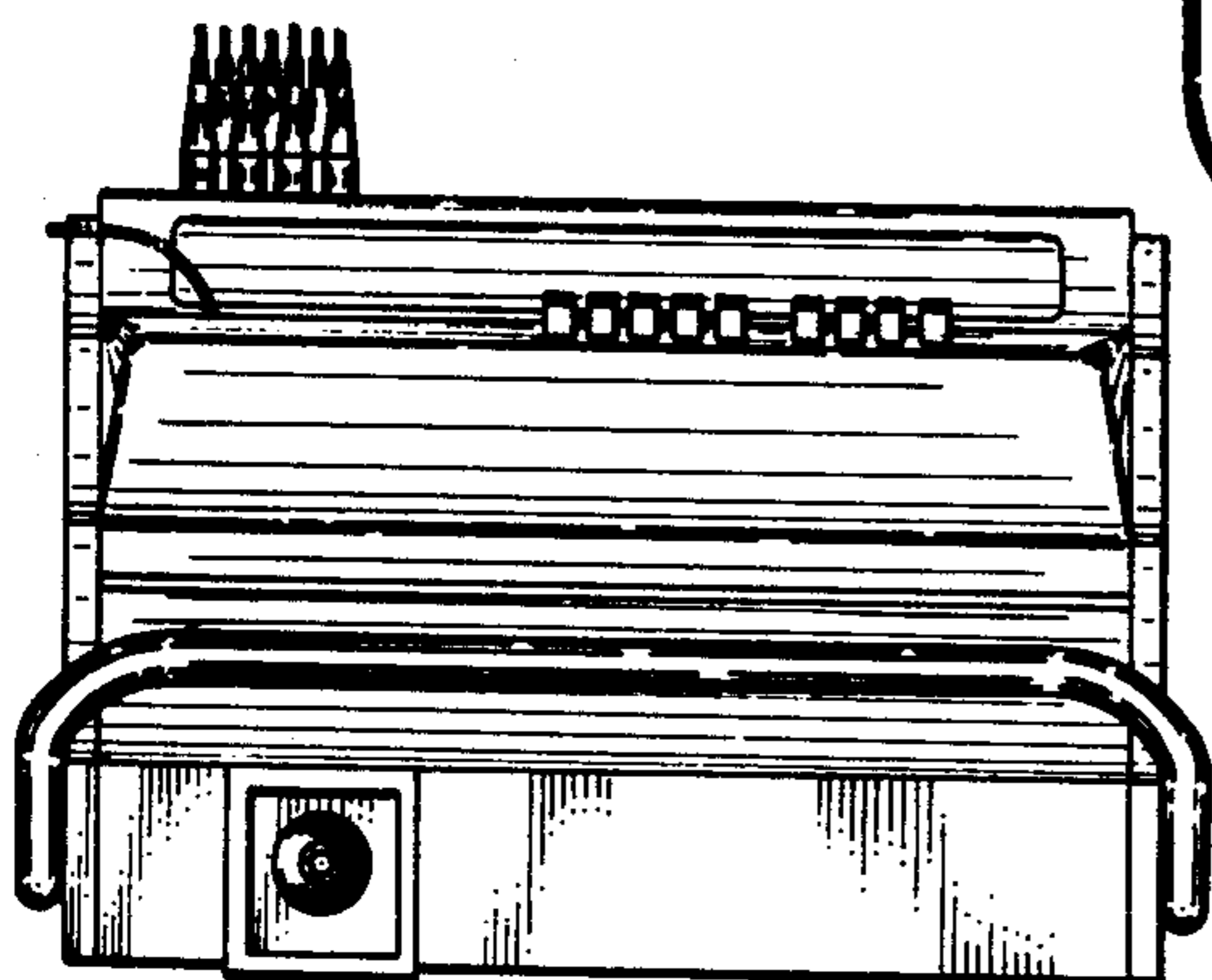
*Fig. 1*



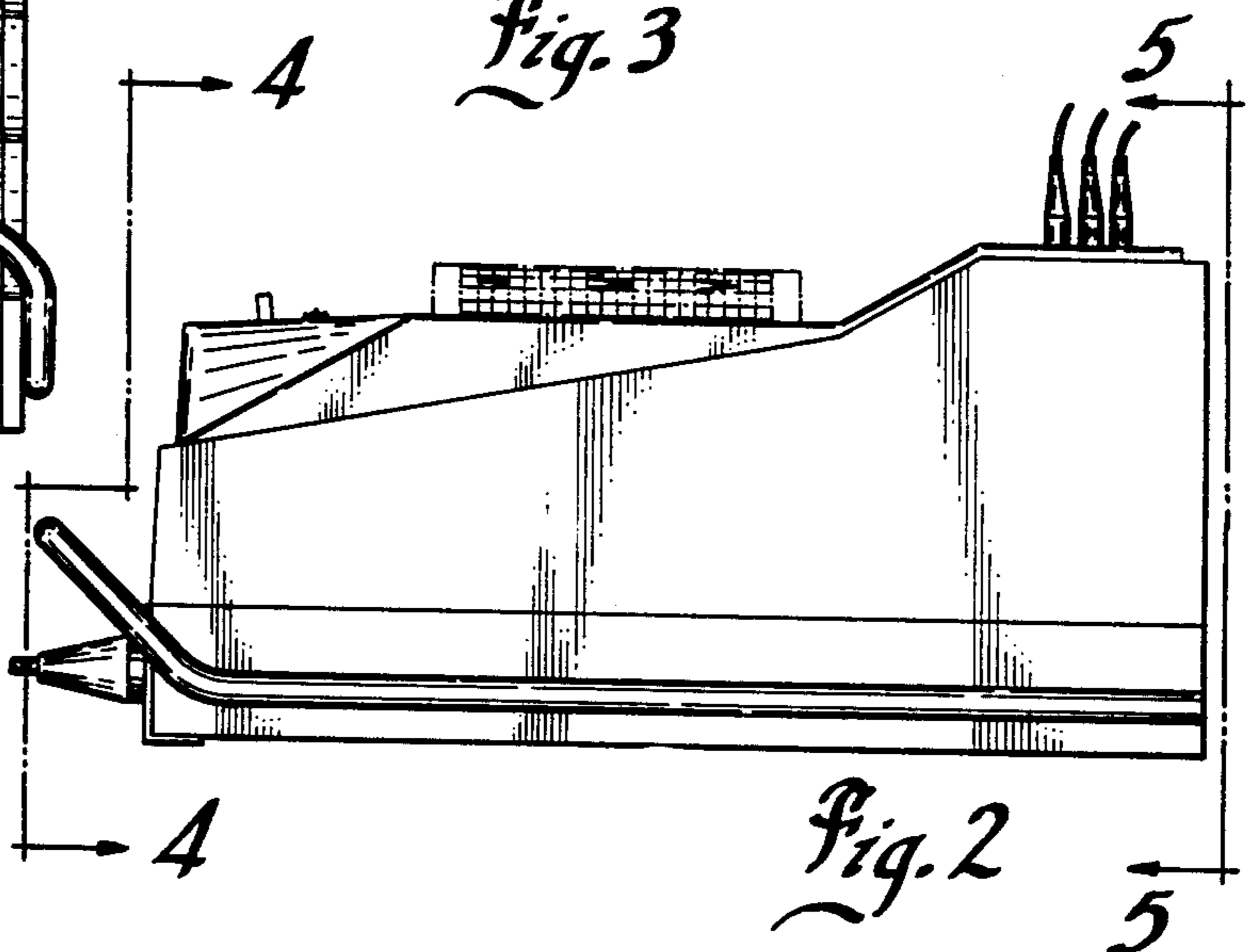
*Fig. 5*



*Fig. 3*



*Fig. 4*



*Fig. 2*