

[54] ENCLOSABLE MOBILE BLOOD COLLECTION APPARATUS

[75] Inventor: Evan W. Rosen, Tucson, Ariz.

[73] Assignee: Engineering & Research Associates, Inc., Tucson, Ariz.

[\*\*] Term: 14 Years

[21] Appl. No.: 612,287

[22] Filed: Sept. 11, 1975

[51] Int. Cl. .... D24-02

[52] U.S. Cl. .... D24/8

[58] Field of Search ..... 128/2.05 R, 2.01 R; 312/209; 190/1, 9; 280/37, 79.1, 79.2, 79.3; D83/1 F

[56] References Cited

U.S. PATENT DOCUMENTS

174,218	2/1876	Facer .....	190/1
3,655,215	4/1972	Becklin .....	280/37
3,908,657	9/1975	Kowarski .....	128/214.4
D. 230,716	3/1974	Ceranowicz et al. ....	D83/1 F

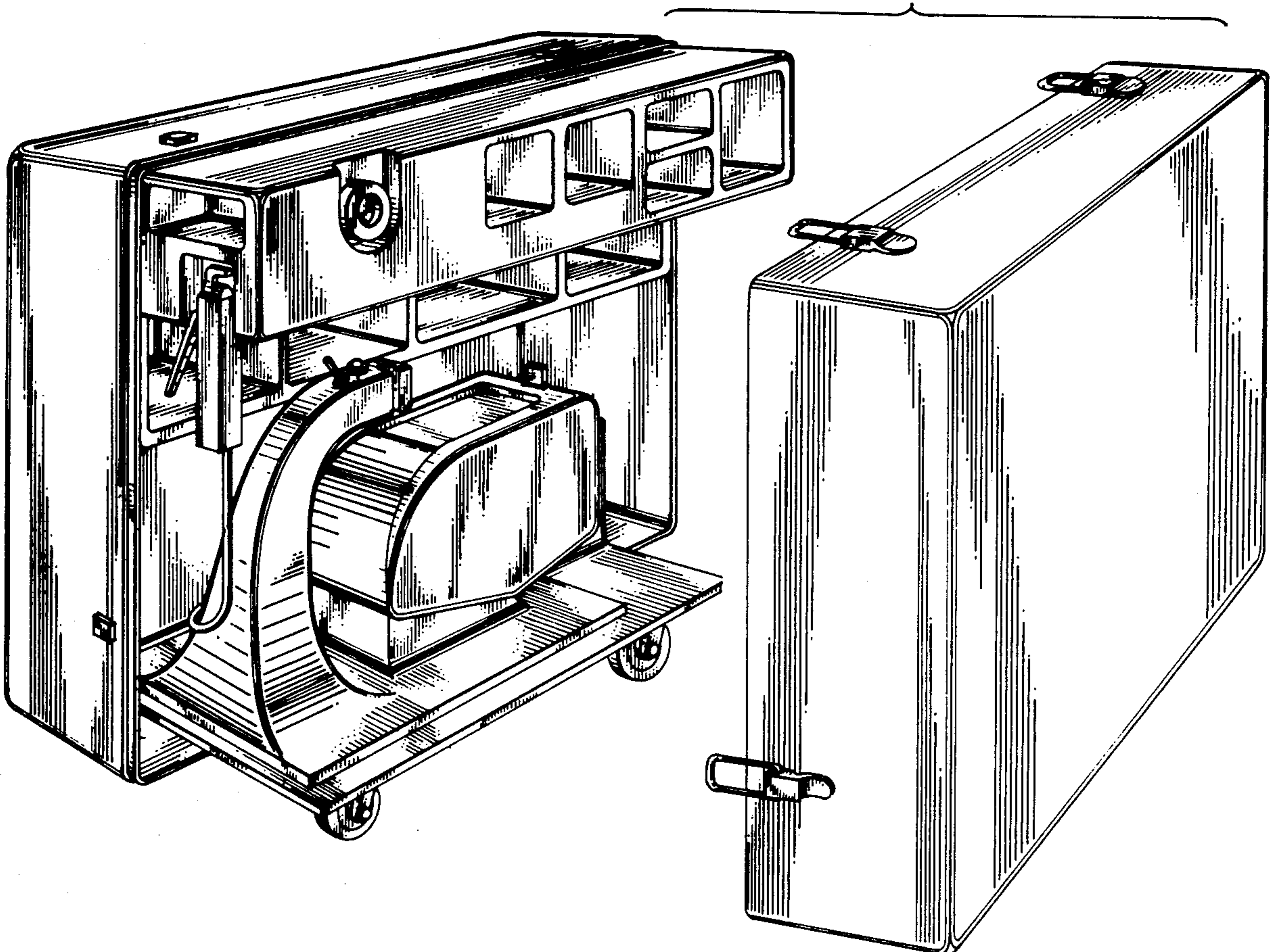
Primary Examiner—Bernard Ansher  
Attorney, Agent, or Firm—C. Robert Von Hellens

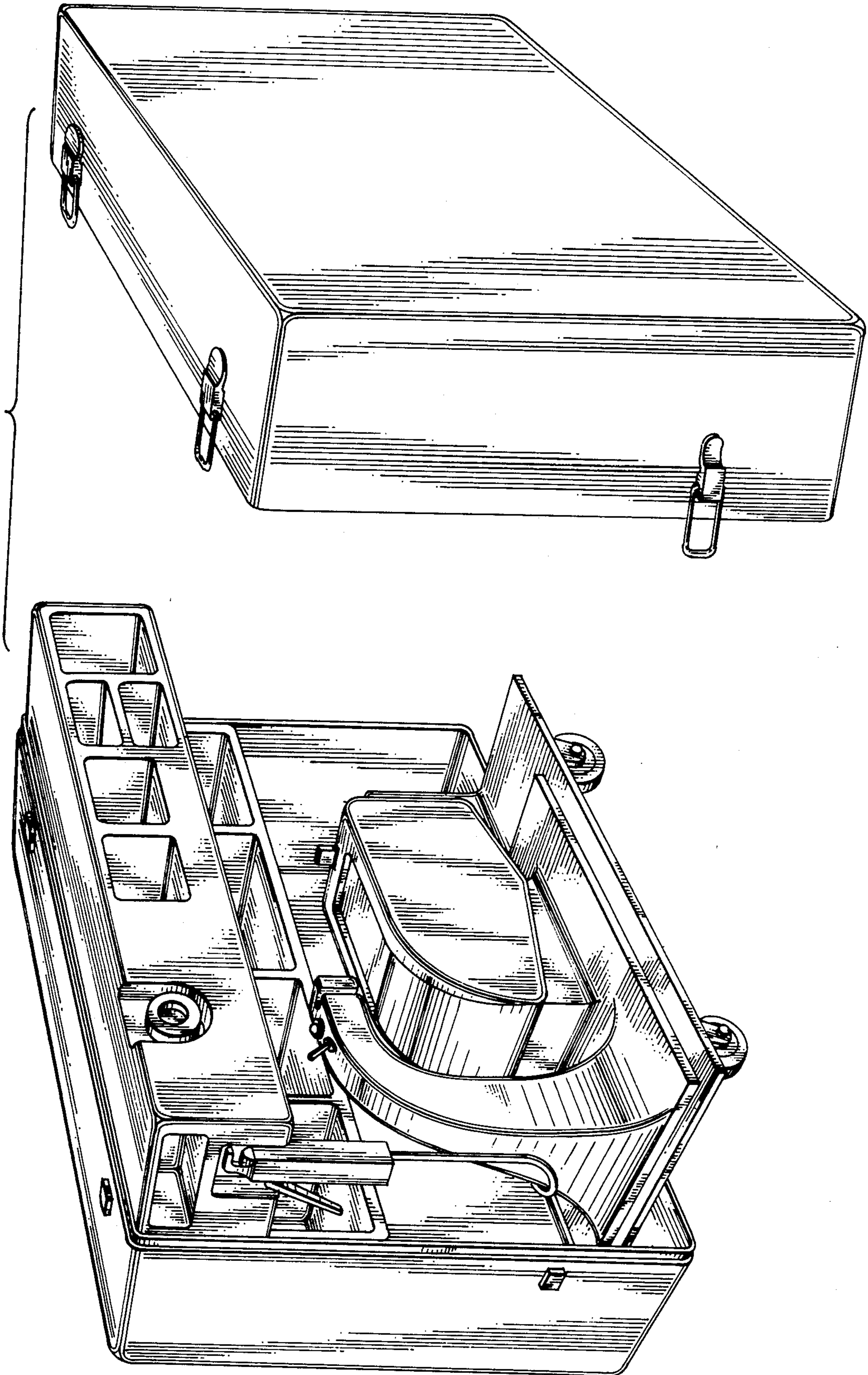
[57] CLAIM

The ornamental design for an enclosable mobile blood collection apparatus, as shown and described.

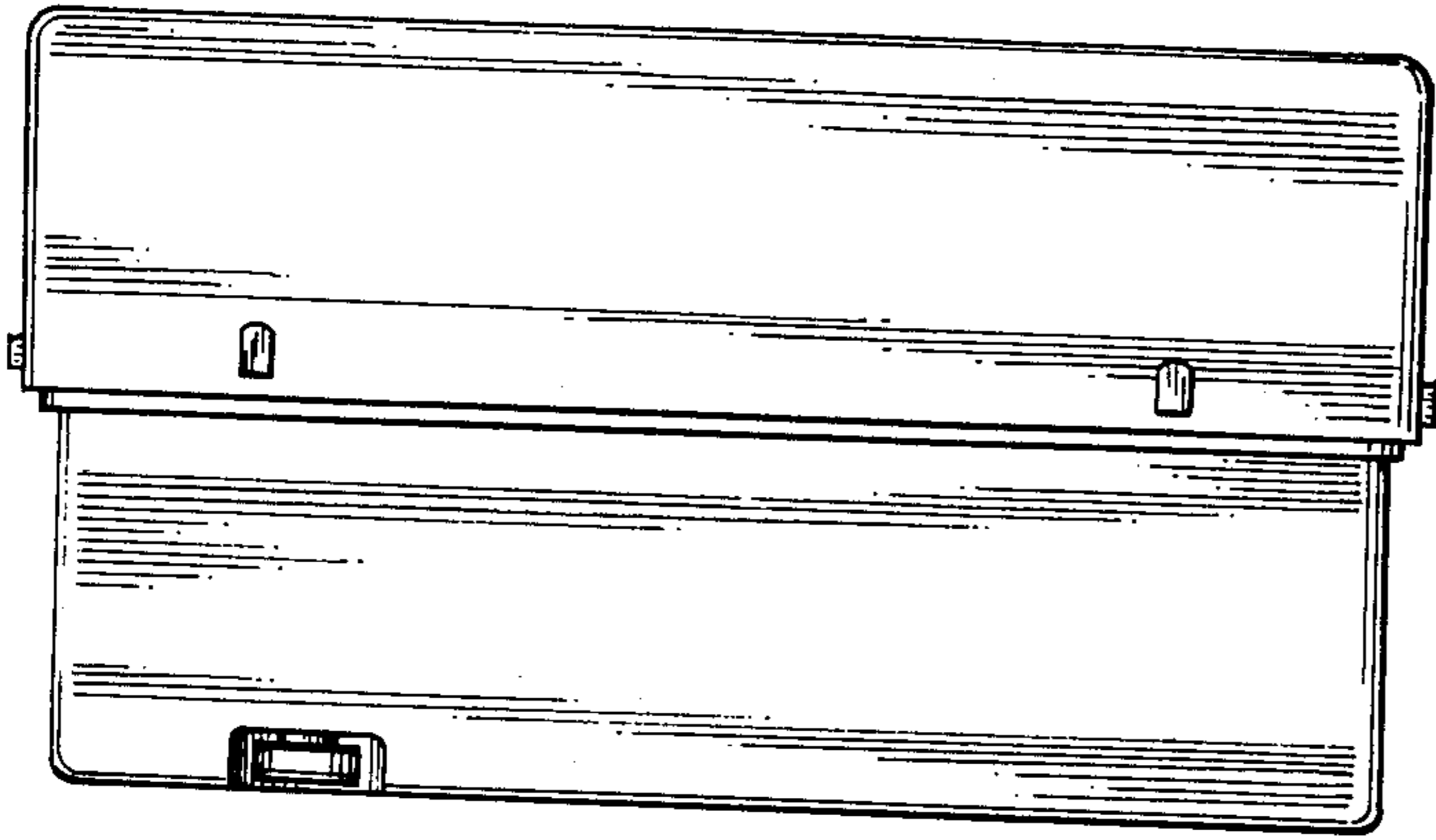
DESCRIPTION

FIG. 1 is a perspective view of the enclosable mobile blood collection apparatus and cover therefor;  
FIG. 2 is a top view of the blood collection apparatus without the cover;  
FIG. 3 is a front view thereof;  
FIG. 4 is a right-hand side view thereof, the left-hand side view being depicted in FIG. 1;  
FIG. 5 is a bottom view of the assembled enclosure housing the blood collection apparatus.

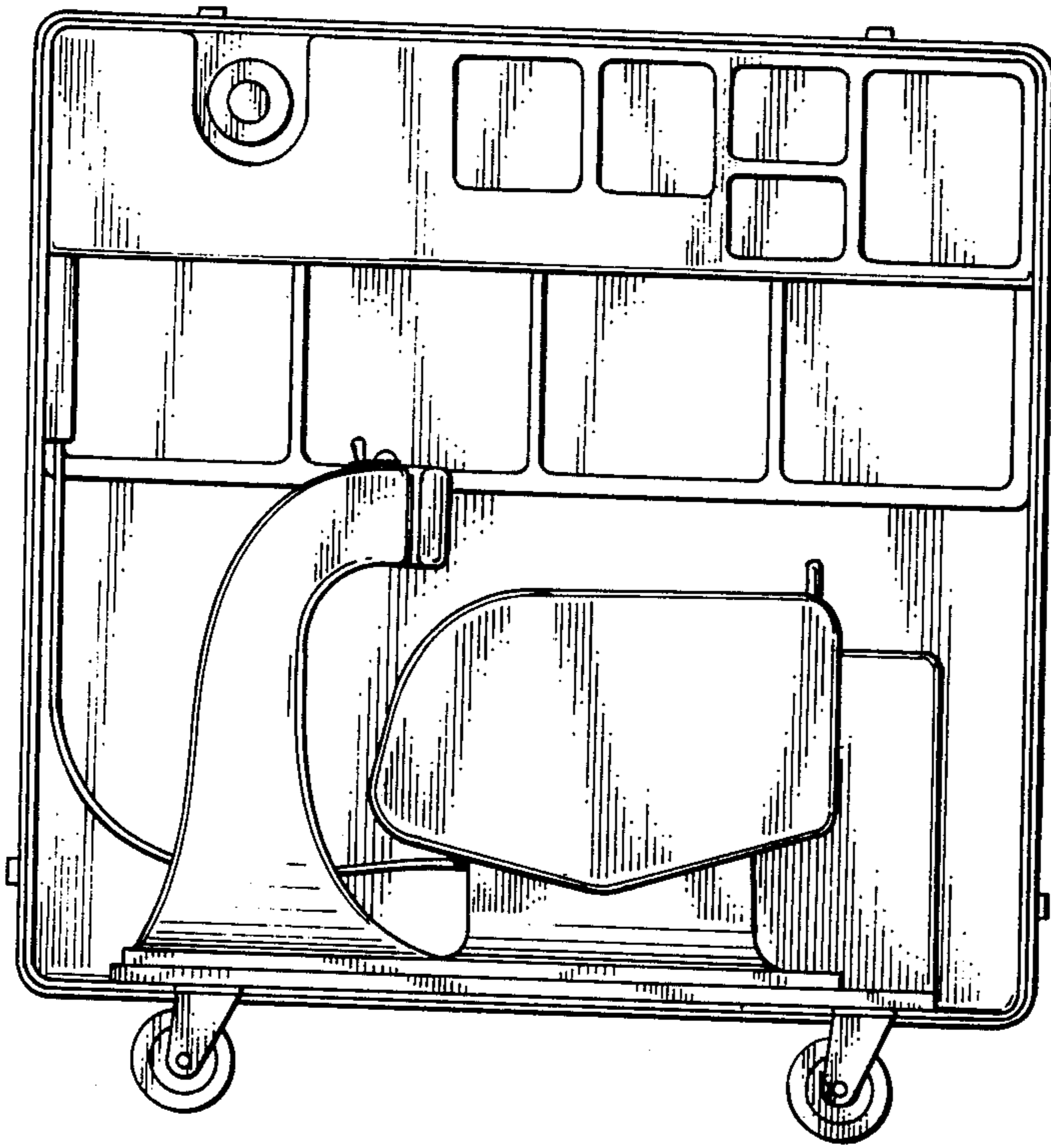




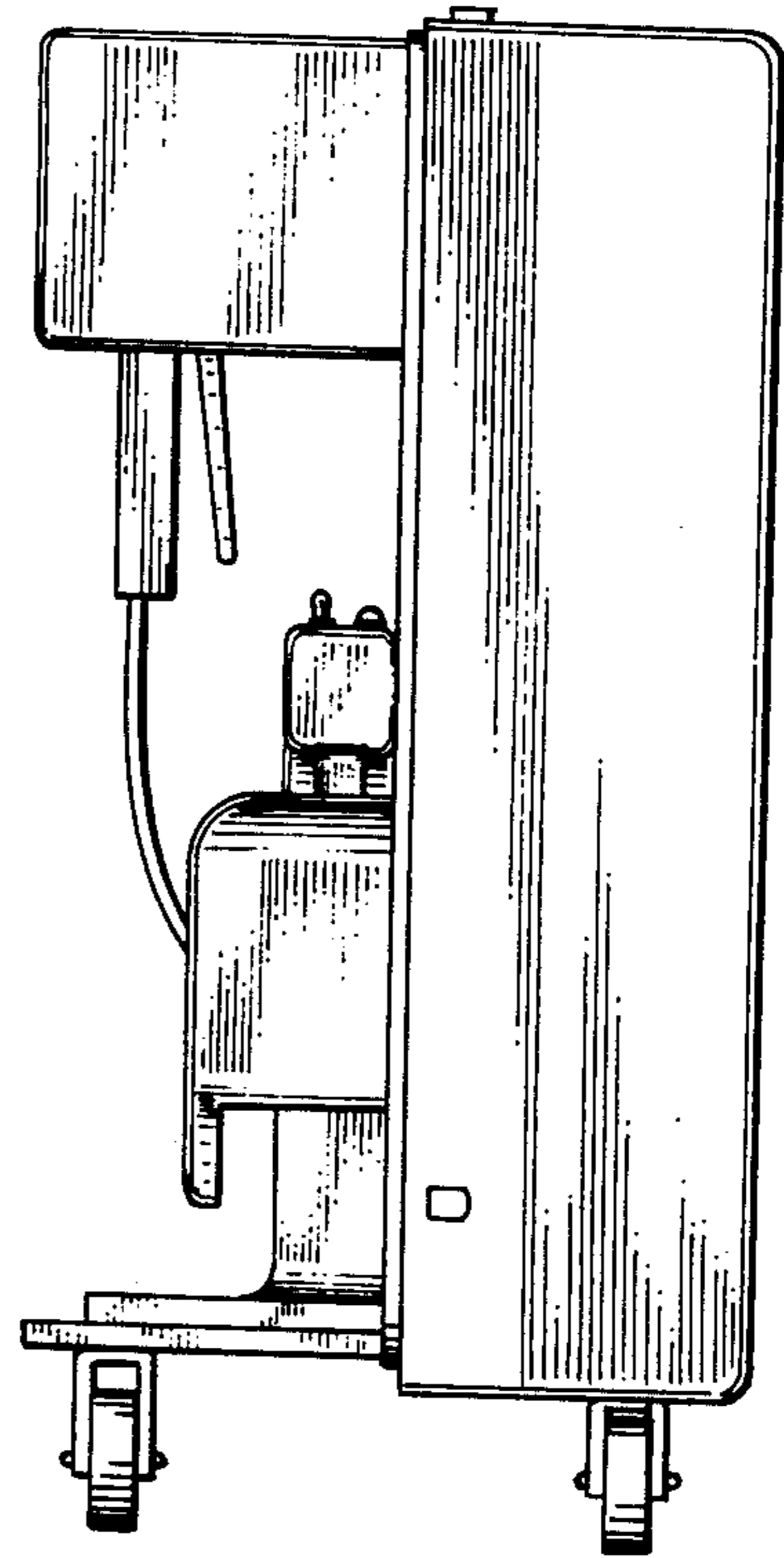
*fig. 1*



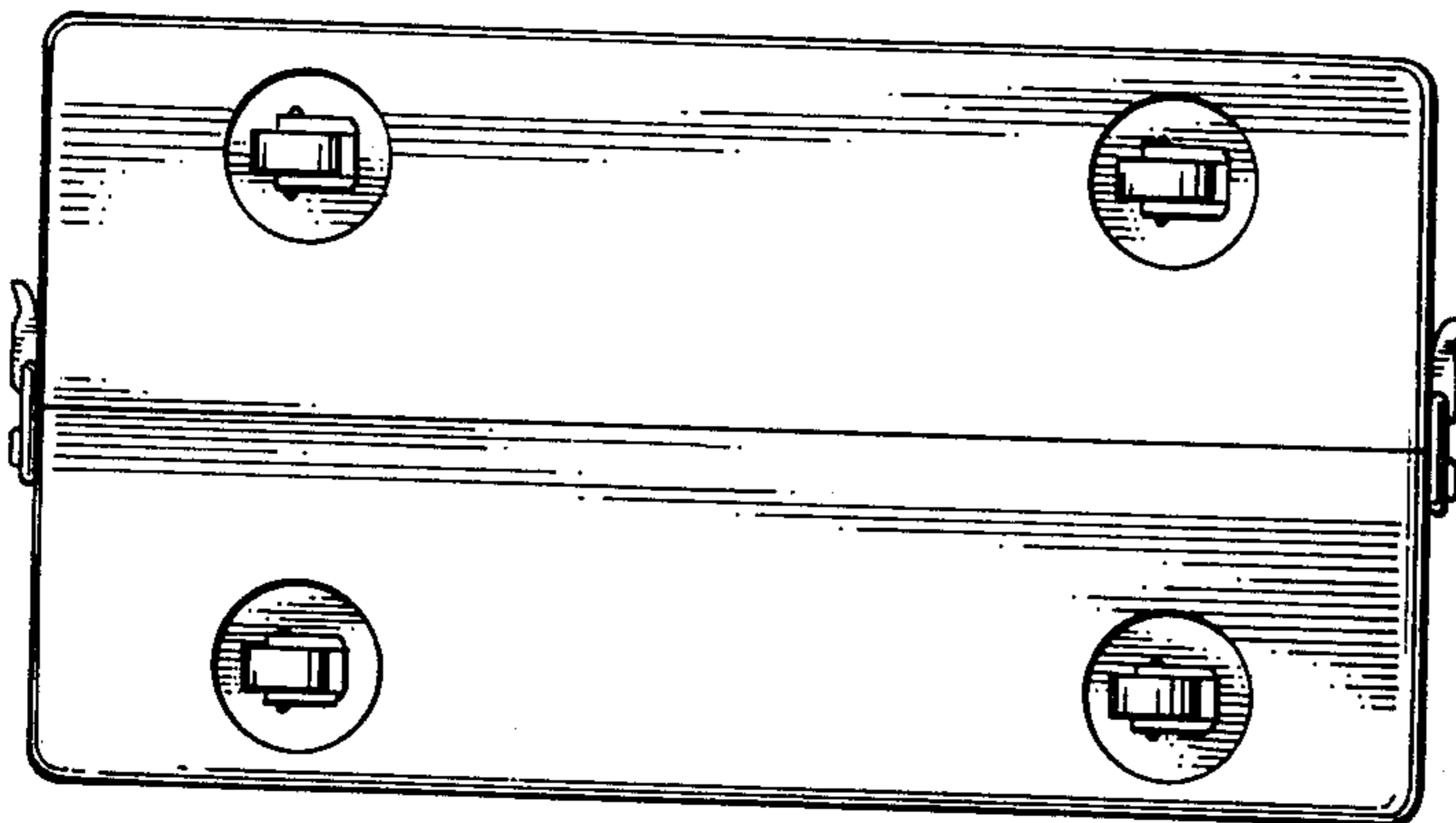
*fig. 2*



*fig. 3*



*fig. 4*



*fig. 5*