

[54] **HOUSING FOR THE DEMAND  
 REGULATOR OF A BREATHING  
 APPARATUS**

[76] Inventor: **Raymond A. Christianson, P.O. Box  
 1513, Manhattan Beach, Calif. 90266**

[\*\*] Term: **14 Years**

[21] Appl. No.: **605,019**

[22] Filed: **Aug. 14, 1975**

[51] Int. Cl. .... **D29-02**

[52] U.S. Cl. .... **D83/1 L**

[58] Field of Search ..... **128/147, 145 R, 146.4,  
 128/142; D83/1 L, 1 G**

[56] **References Cited**

**U.S. PATENT DOCUMENTS**

3,101,732 8/1963 Valle ..... 128/147  
 3,447,535 6/1969 Deloire ..... 128/147

3,669,109 6/1972 Cheffers et al. .... 128/147  
 D. 203,640 2/1966 Shugarman ..... D83/1 L  
 D. 234,637 3/1975 Flynn ..... D83/1 G

*Primary Examiner*—Bernard Ansher  
*Attorney, Agent, or Firm*—Howard A. Silbert

[57] **CLAIM**

The ornamental design for a housing for the demand regulator of a breathing apparatus, substantially as shown.

**DESCRIPTION**

FIG. 1 is a left side elevation of a housing for the demand regulator of a breathing apparatus, showing my new design;

FIG. 2 is a front elevation thereof;

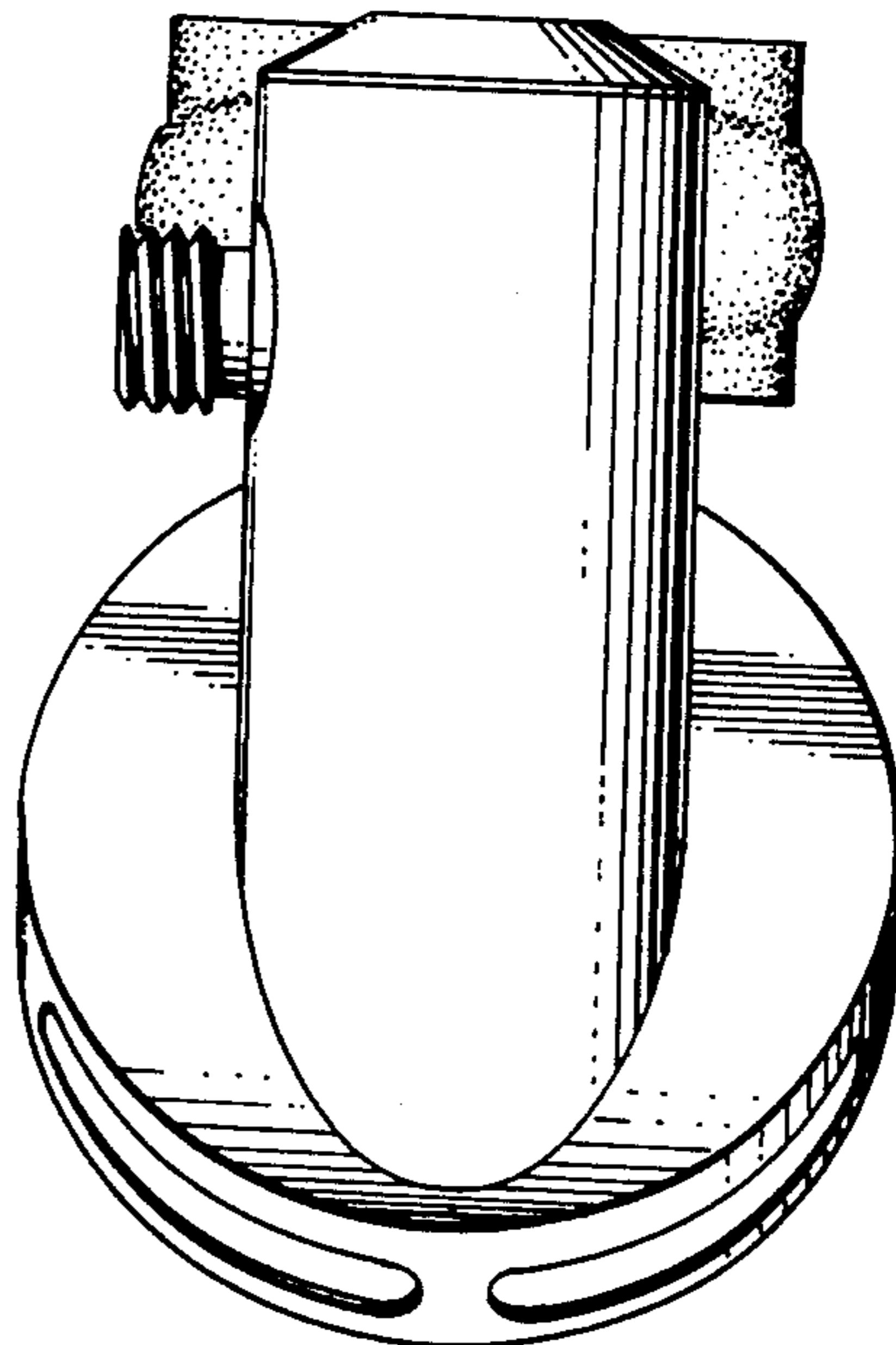
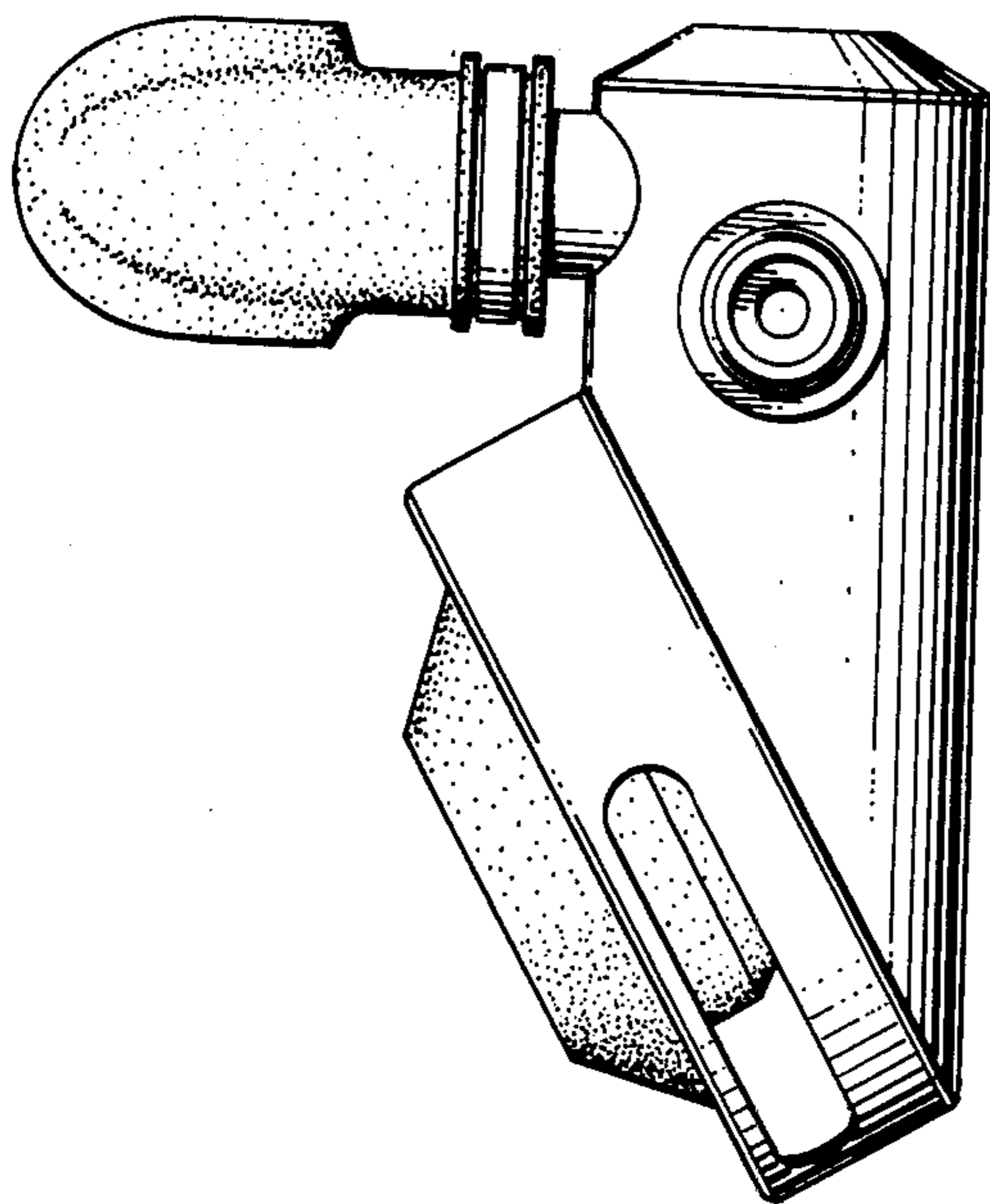
FIG. 3 is a rear elevation thereof;

FIG. 4 is a right side elevation thereof;

FIG. 5 is a top plan view thereof;

FIG. 6 is a bottom elevation thereof; and

FIG. 7 is a perspective view thereof.



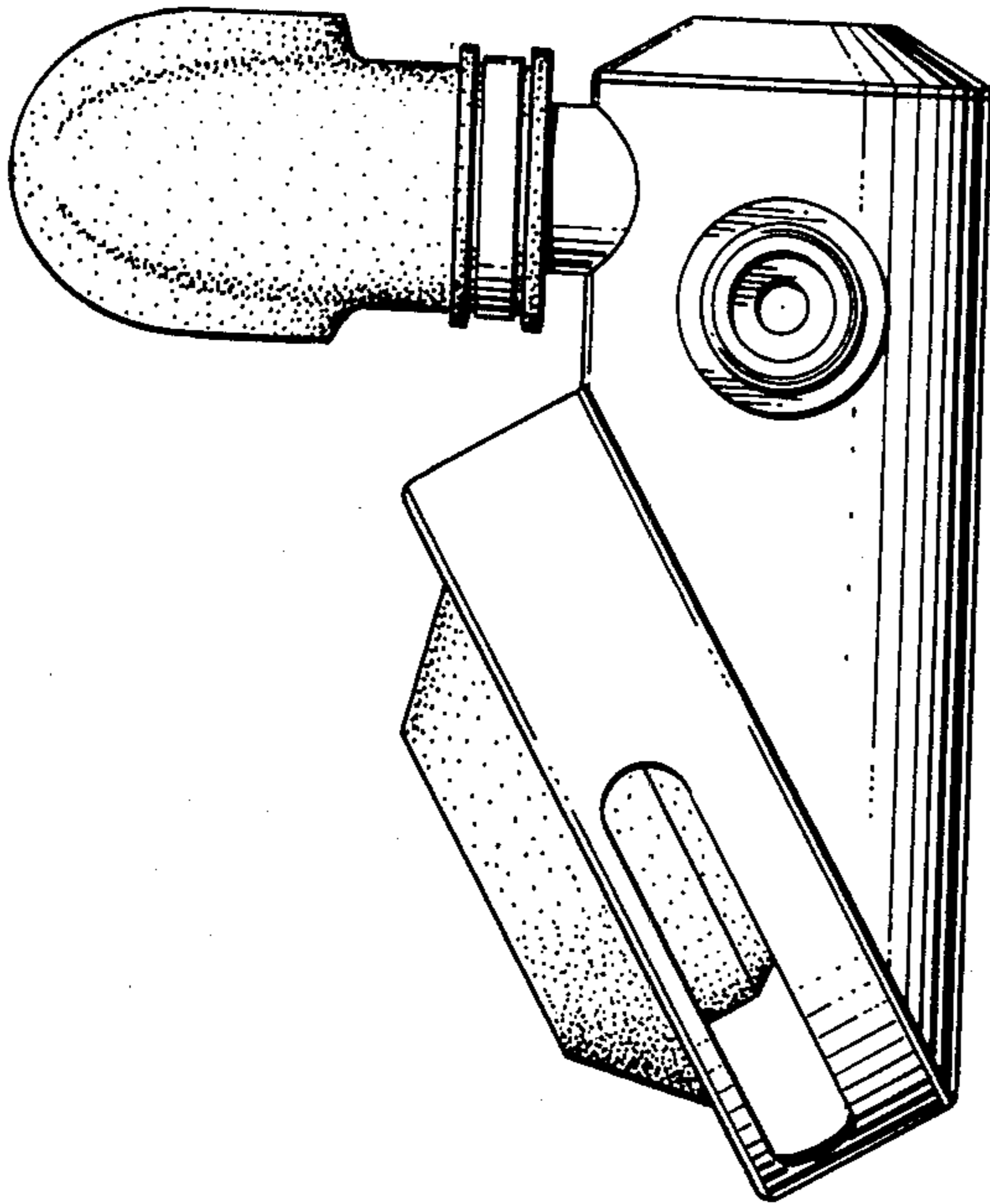


Fig. 1

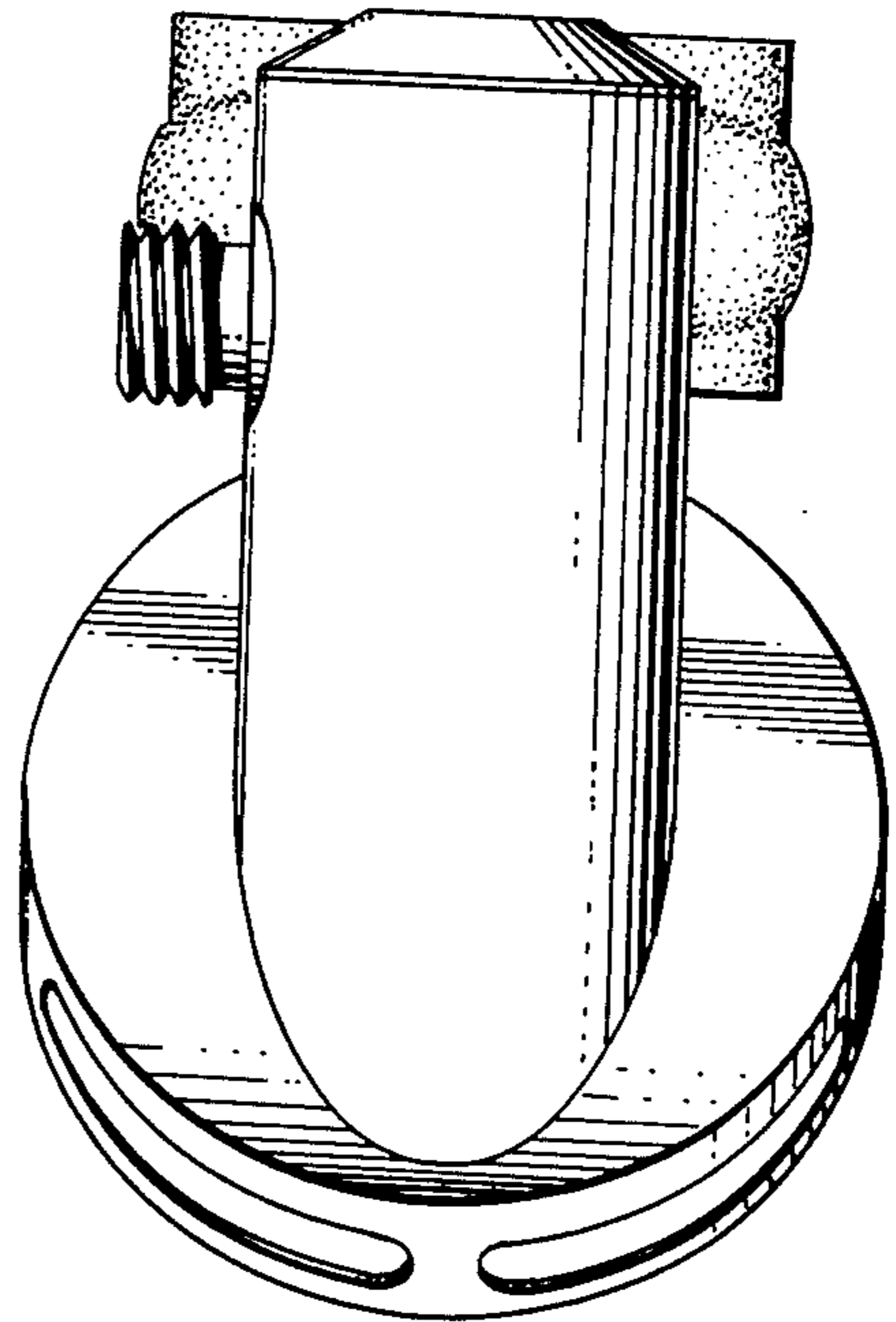


Fig. 2

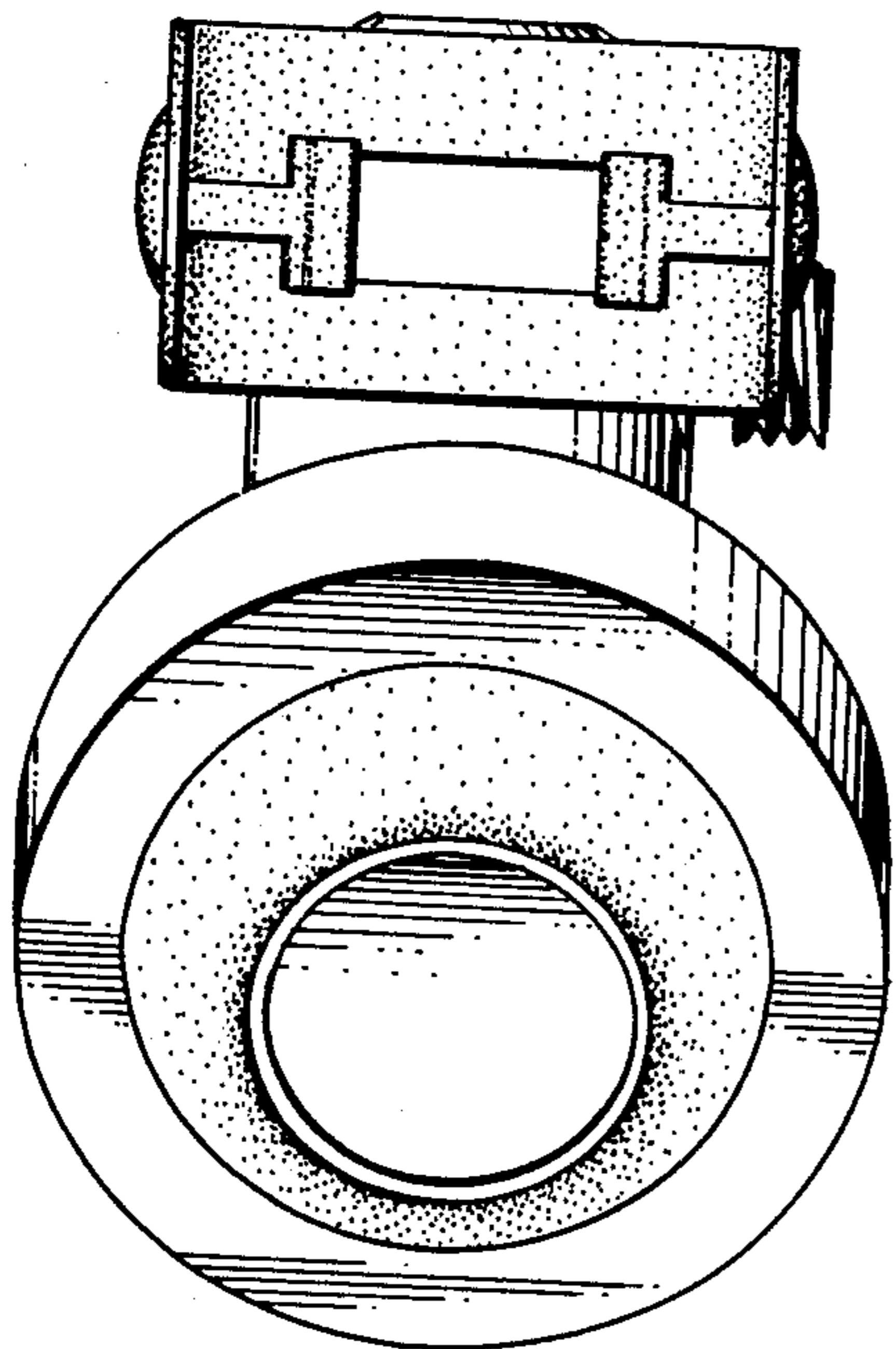


Fig. 3

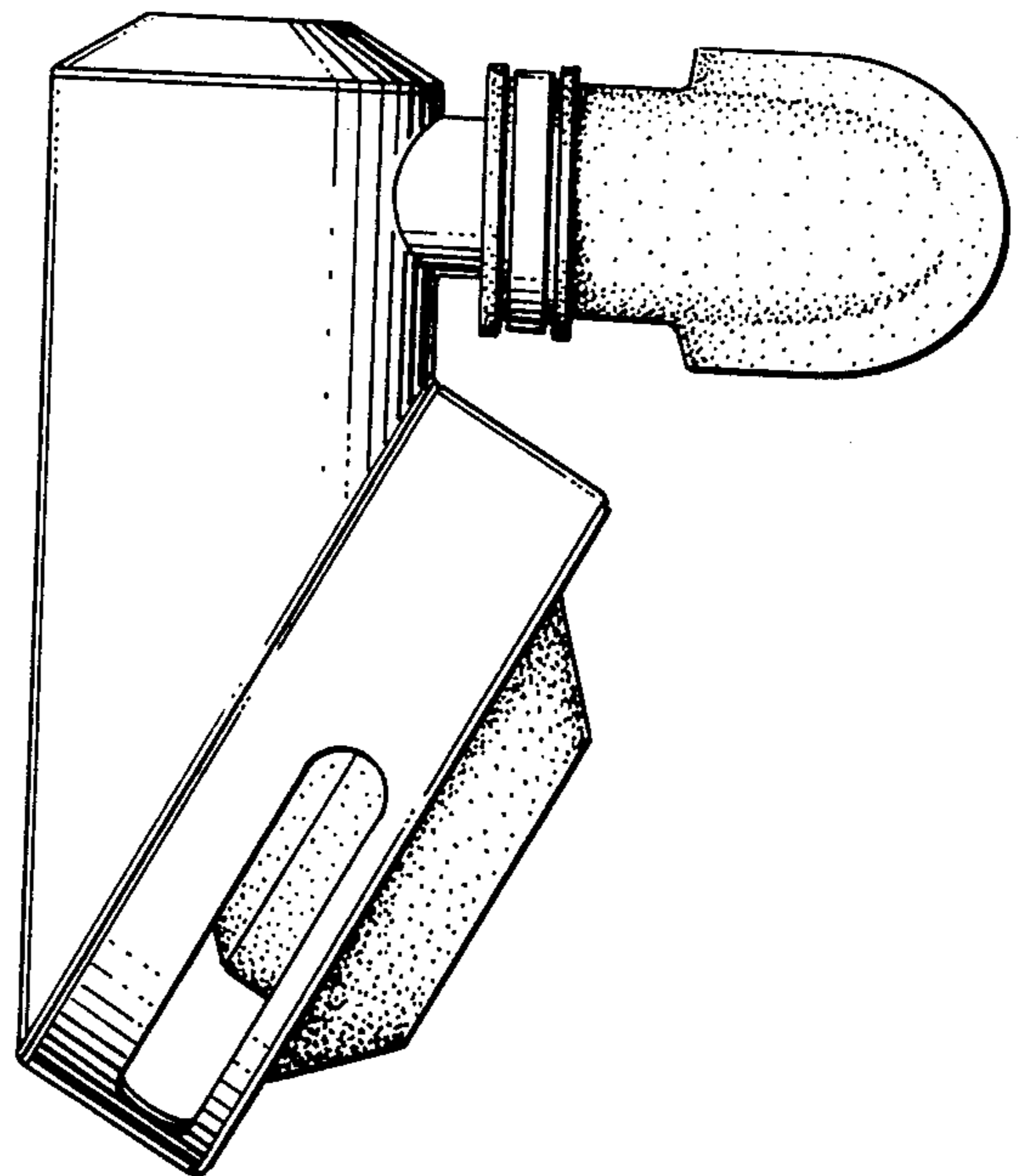


Fig. 4

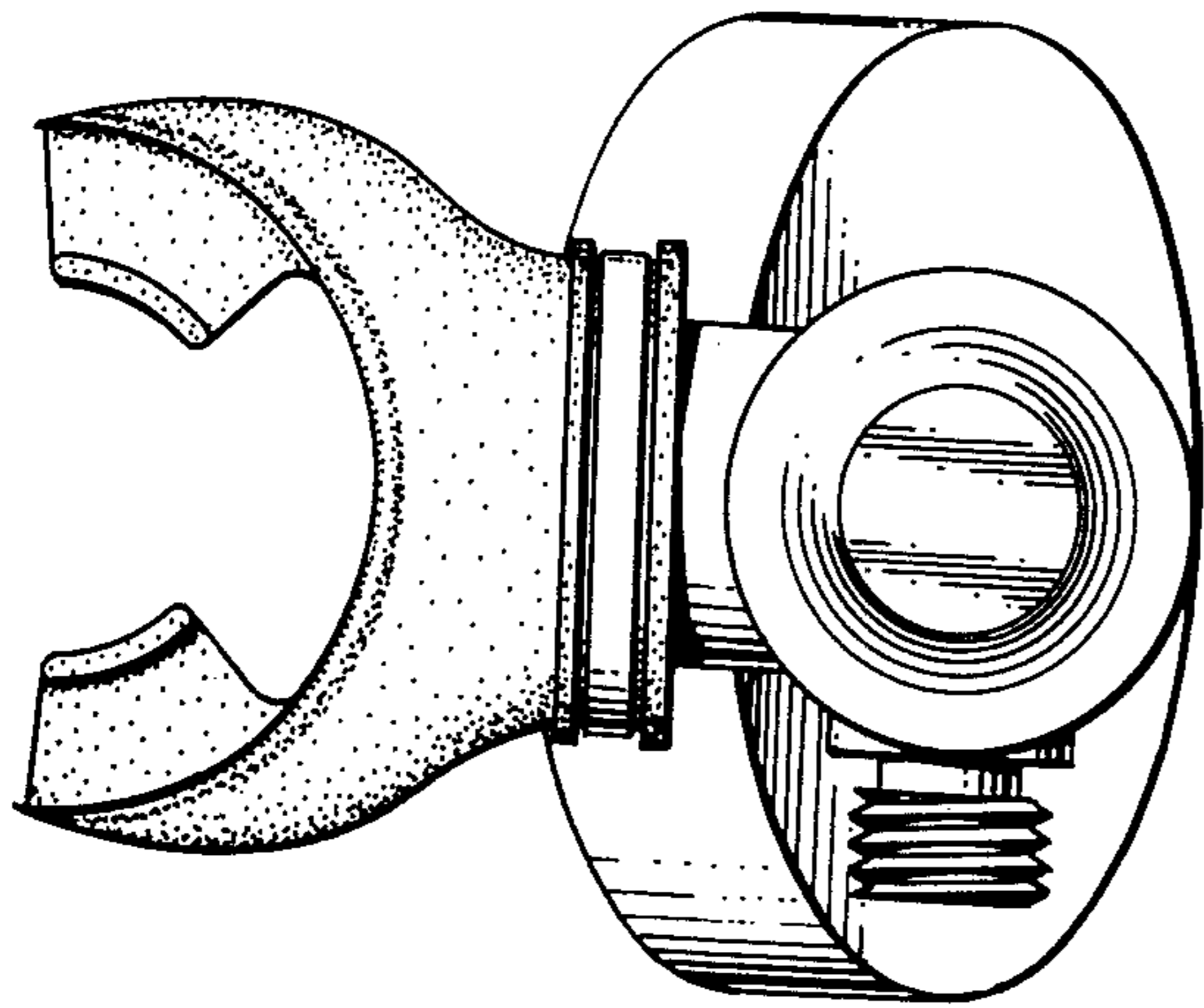


Fig. 5

Fig. 6

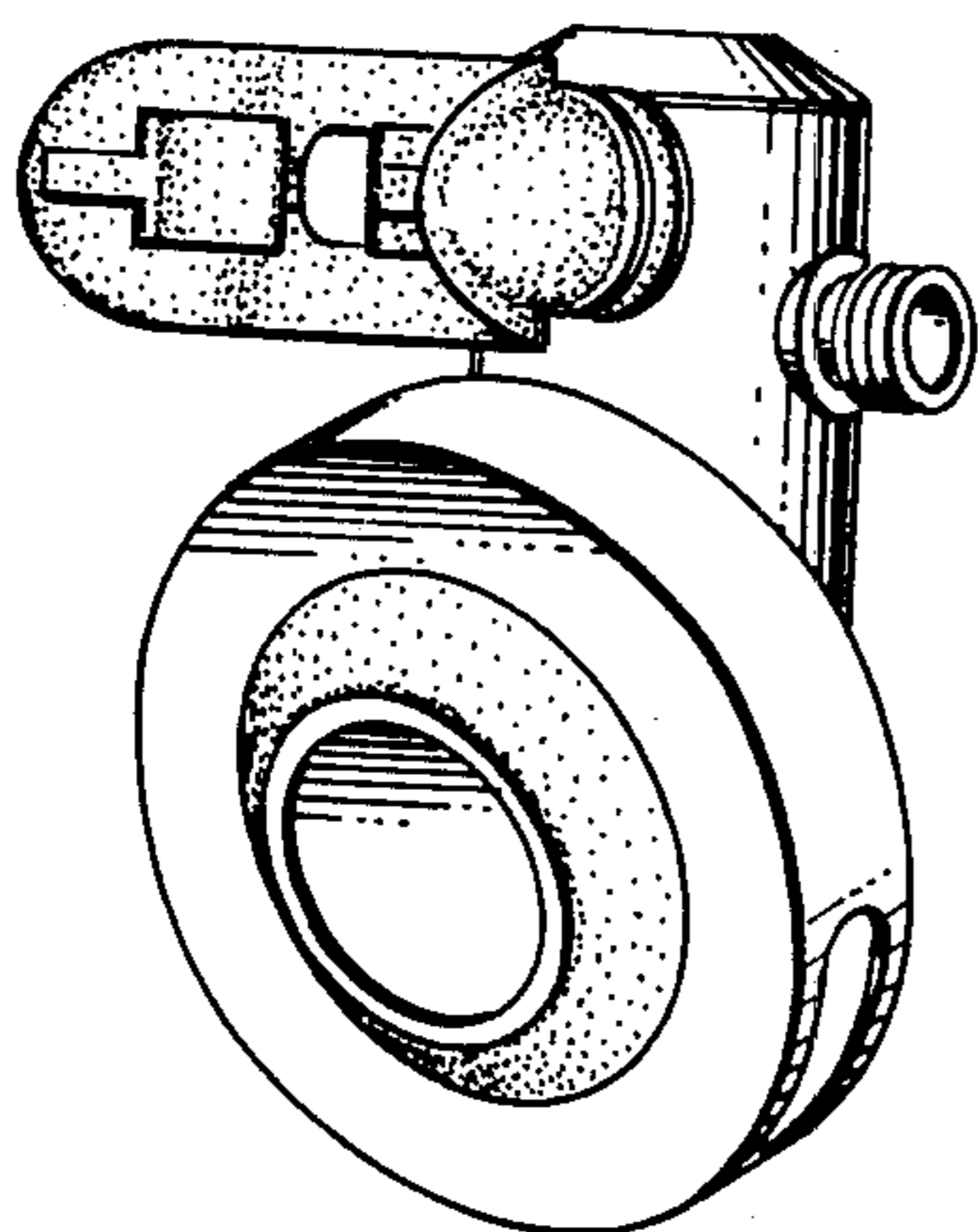
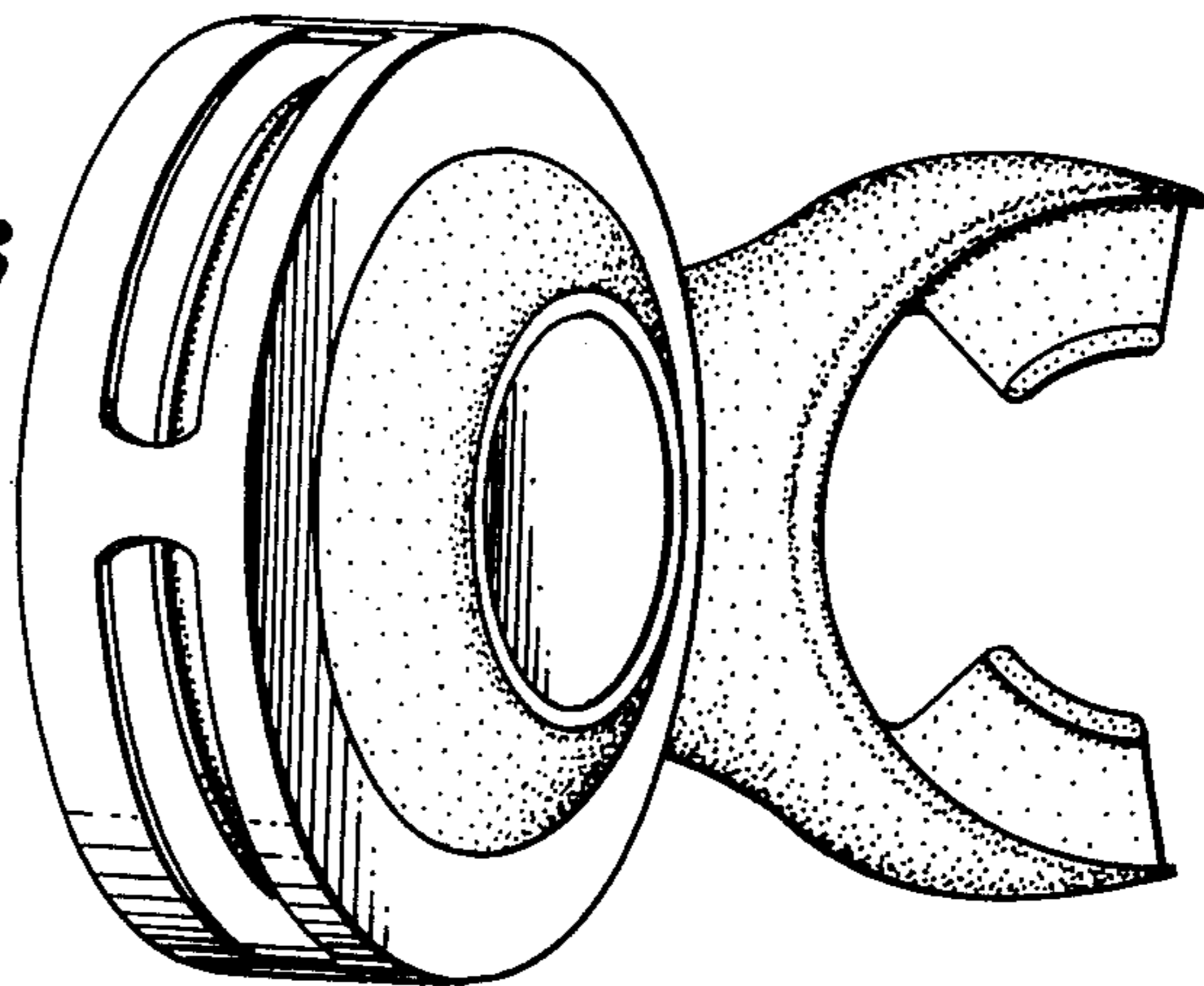


Fig. 7