

[54] COMBINED
SYRINGE-LARYNGOTRACHEAL
CANNULA

[75] Inventor: Dean Richard Katerndahl, Wheaton,
Ill.

[73] Assignee: Abbott Laboratories, North Chicago,
Ill.

[**] Term: 14 Years

[21] Appl. No.: 504,575

[22] Filed: Sept. 9, 1974

[51] Int. Cl. D24-02

[52] U.S. Cl. D24/60

[58] Field of Search D83/12 A, 12 R, 1 P,
D83/1 Q; 128/348, 35, 218 A, 278, 234, 220, 2
F, 2 G, DIG. 5

[56] References Cited
U.S. PATENT DOCUMENTS

3,376,866	4/1968	Ogle	128/220
3,378,008	4/1968	Ogle	128/220

Primary Examiner—Wallace R. Burke
Assistant Examiner—James M. Gandy
Attorney, Agent, or Firm—Neil E. Hamilton

[57] CLAIM

The ornamental design for a combined syringe-laryngo-
tracheal cannula, substantially as shown.

DESCRIPTION

FIG. 1 is a side elevational view of a combined syringe-
laryngotracheal cannula showing my new design;
FIG. 2 is an enlarged top plan view thereof, the cannula
being omitted for convenience of illustration; and
FIG. 3 is an enlarged perspective view thereof it being
understood that the cannula has been broken away in
the center for convenience of illustration.

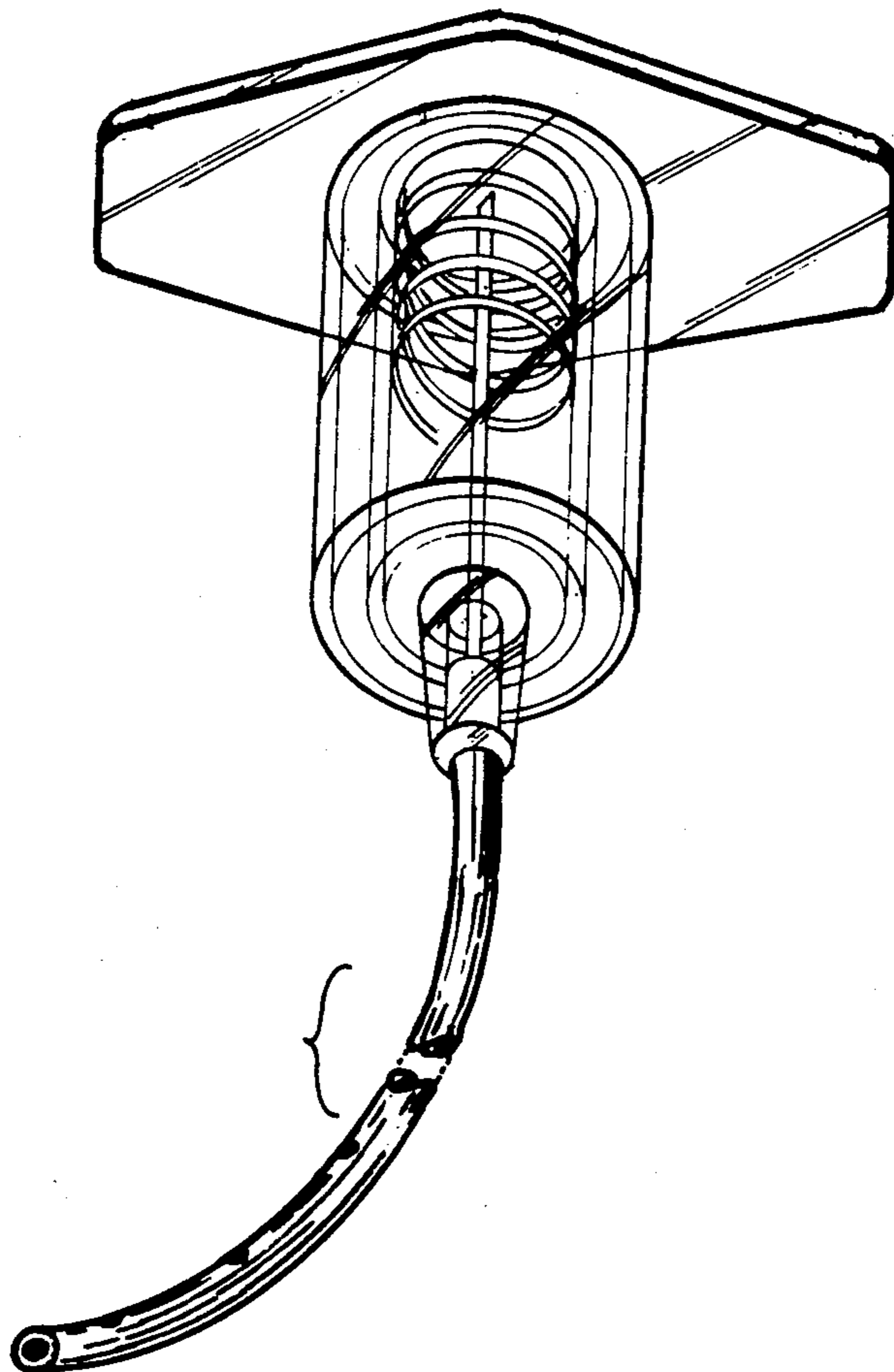


FIG. 2

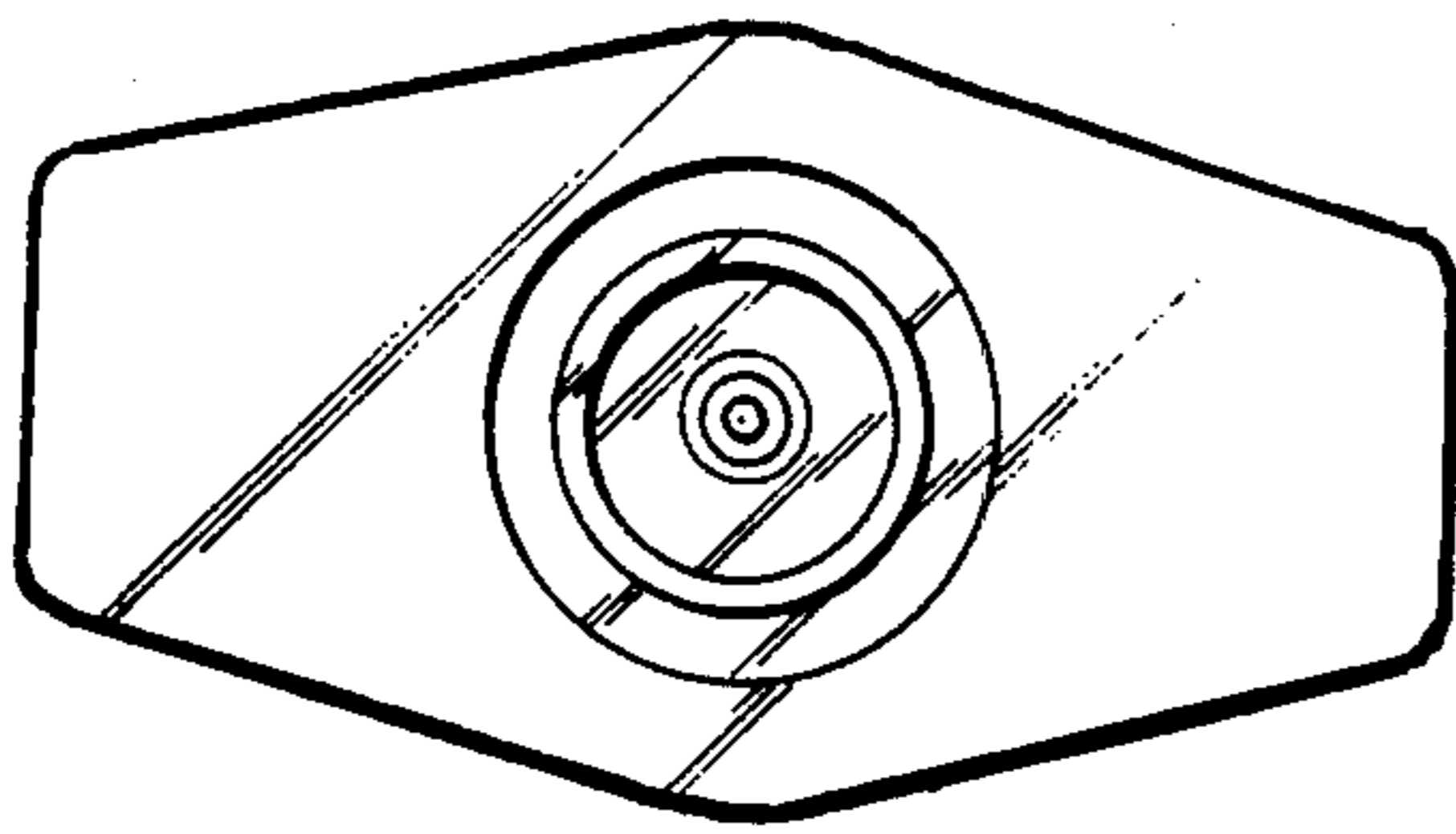


FIG. 1

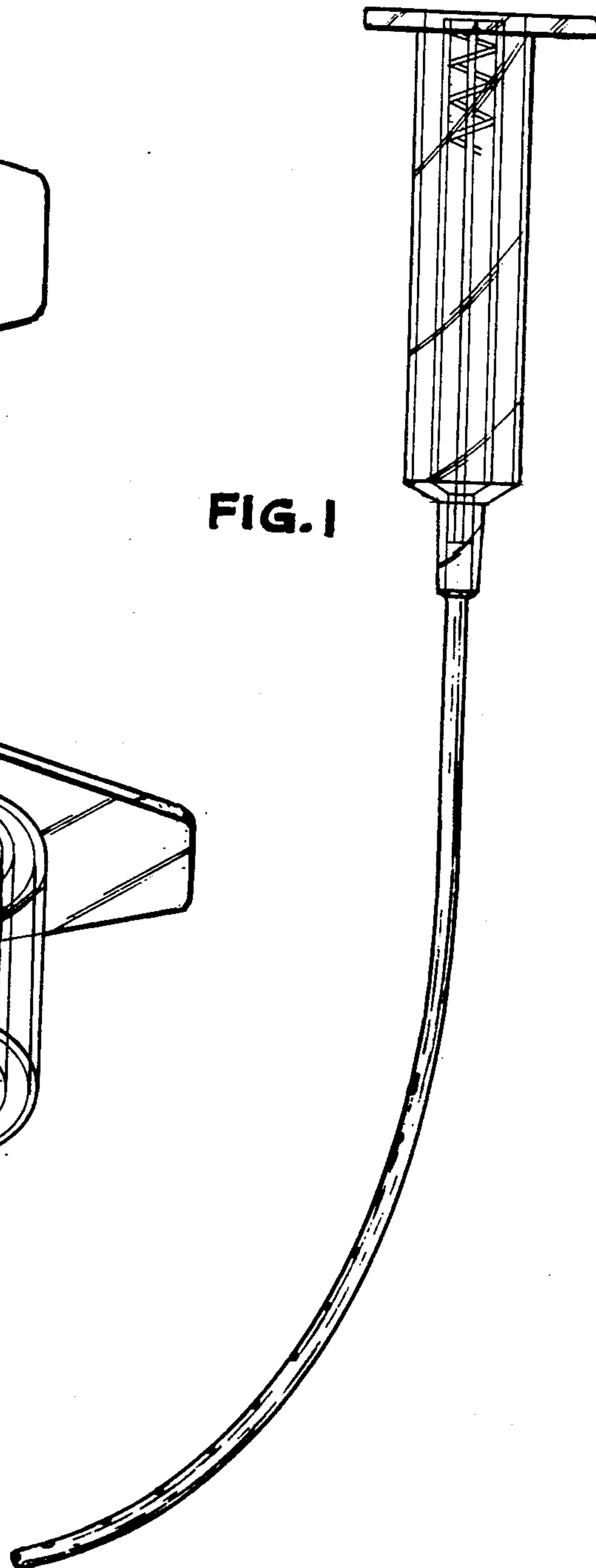


FIG. 3

