

[54] TRANSPORT RACK FOR SPECIMEN TUBES

[75] Inventor: George Norman Heaton, Elkhart, Ind.

[73] Assignee: Miles Laboratories, Inc., Elkhart, Ind.

[**] Term: 14 Years

[21] Appl. No.: 597,358

[22] Filed: July 21, 1975

[51] Int. Cl. D24-01; D9-99

[52] U.S. Cl. D24/32

[58] Field of Search D32/1 A; 206/419, 487, 206/446, 438, 199, 203; 211/71-74, 14; D83/1 U

[56] References Cited

U.S. PATENT DOCUMENTS

2,623,682	12/1952	Condell	206/419
2,738,872	3/1956	De Botton	D83/1 U
2,790,547	4/1957	Sutton	206/72
3,379,315	4/1968	Broadwin	211/72
3,390,783	7/1968	Quackenbush, Jr.	211/73
D. 226,266	2/1973	Rem	D32/1 A

Primary Examiner—Wallace R. Burke
Assistant Examiner—Larry Jones
Attorney, Agent, or Firm—Joseph C. Schwalbach

[57] CLAIM

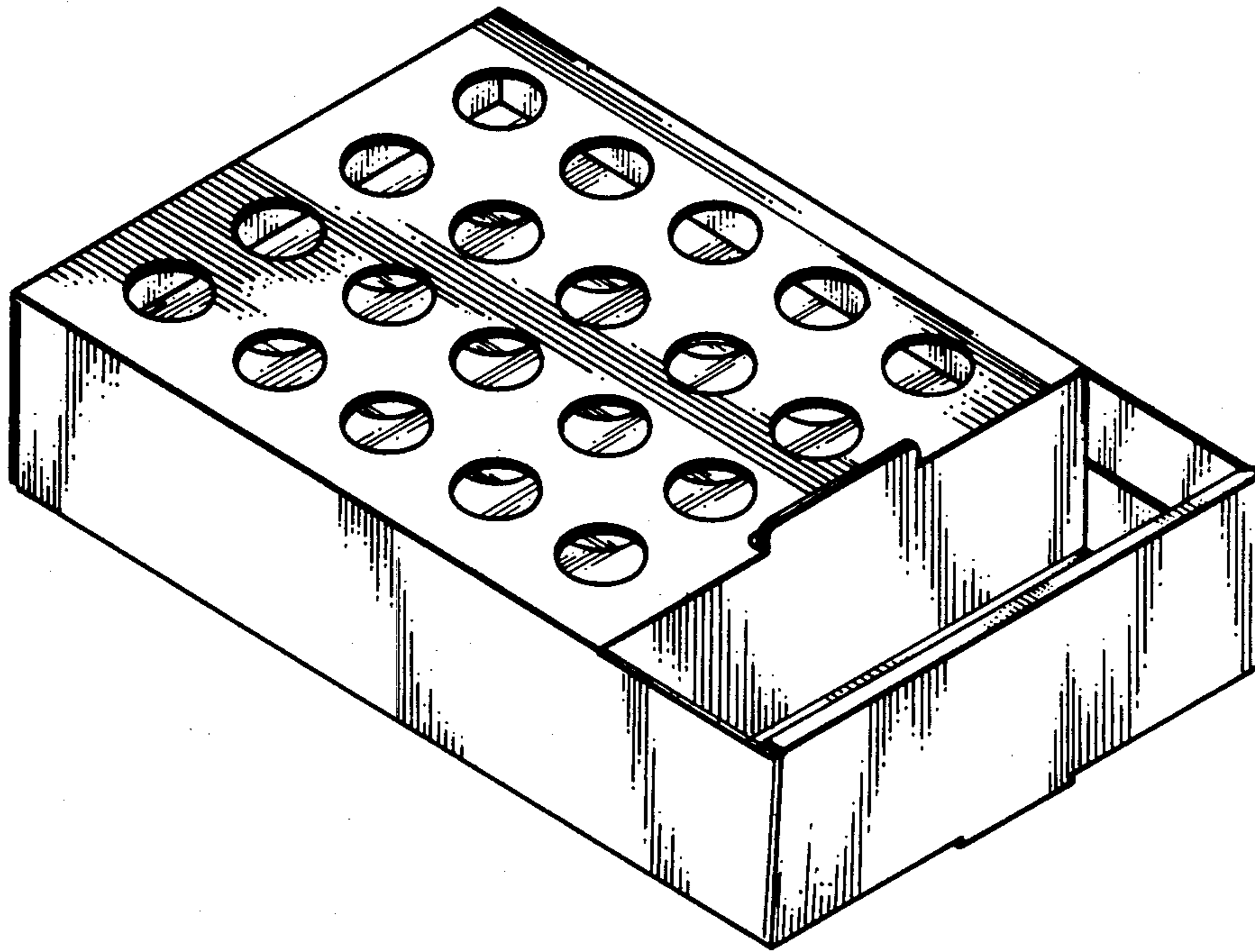
The ornamental design for a transport rack for specimen tubes, substantially as shown and described.

DESCRIPTION

FIG. 1 is a perspective view of a transport rack for specimen tubes embodying my new design.

FIG. 2 is a top planar view of the transport rack of FIG. 1.

FIG. 3 is a vertical cross-sectional view of the transport rack taken along line 3-3 of FIG. 2.



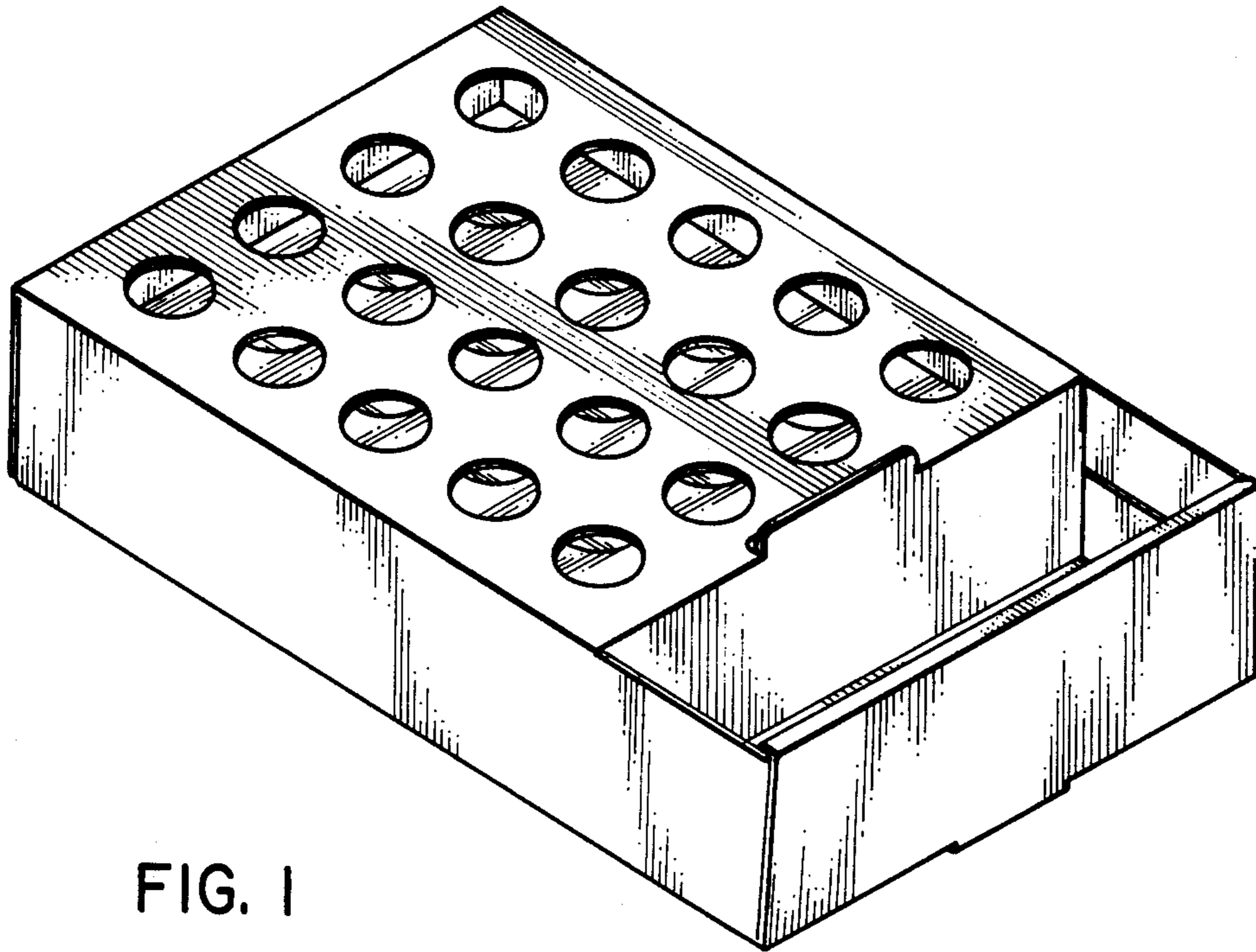


FIG. 1

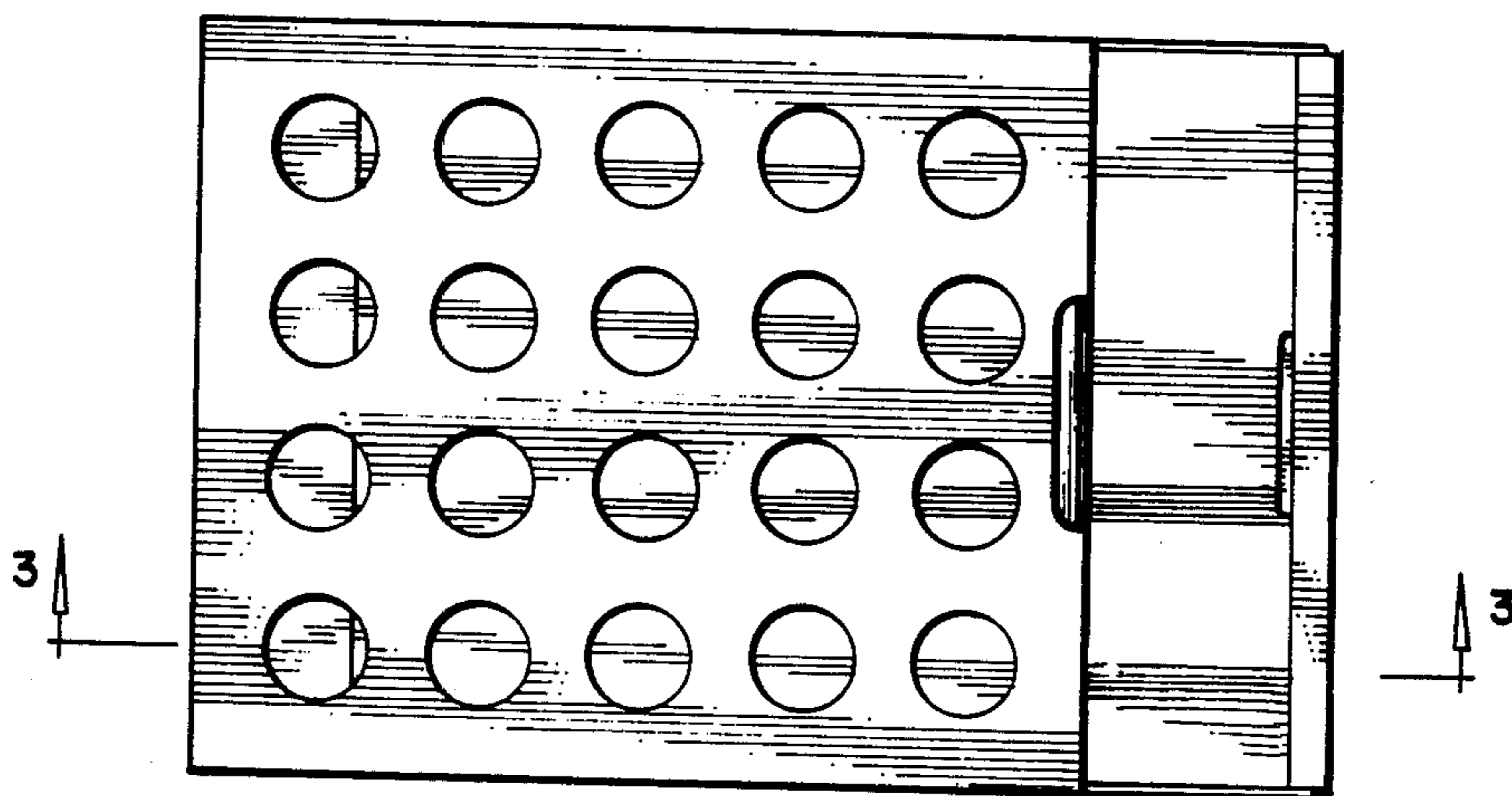


FIG. 2

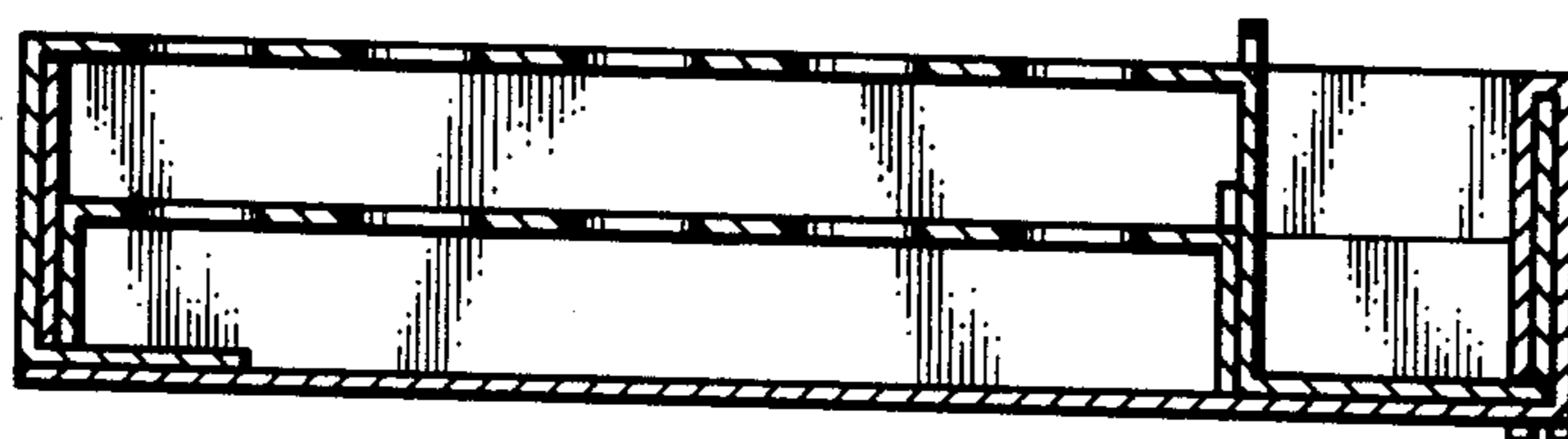


FIG. 3