

United States Patent [19]

Centers, deceased et al.

[11] **Des. 245,115**

[45] **** July 19, 1977**

[54] **PROTECTIVE MASK FOR A HORSE**

[75] Inventors: **Allen Dale Centers**, deceased, late of Arcadia, Calif., by **Alta A. Centers**, administratrix, 222 E. Foothill Blvd., Arcadia, Calif. 91006

[**] Term: **14 Years**

[21] Appl. No.: **606,288**

[22] Filed: **Aug. 20, 1975**

[51] Int. Cl. **D30-01**

[52] U.S. Cl. **D30/37**

[58] Field of Search **D30/27; 119/142; 54/80-81**

[56] **References Cited**

U.S. PATENT DOCUMENTS

743,704 11/1903 Flynn 54/80
1,215,884 2/1917 Smith et al. 54/80

2,407,029 9/1946 Miller 54/80
2,871,642 2/1959 Damone 54/80

FOREIGN PATENT DOCUMENTS

27,320 12/1911 United Kingdom 54/80

Primary Examiner—Joel Stearman
Assistant Examiner—George P. Word
Attorney, Agent, or Firm—W. W. Glenney

[57] **CLAIM**

The ornamental design for a protective mask for a horse or the like, substantially as shown.

DESCRIPTION

FIG. 1 is a front elevational view of a protective mask for a horse, showing my new design; FIG. 2 is a right side elevational view thereof; FIG. 3 is a top plan view thereof; FIG. 4 is a rear elevational view thereof; and FIG. 5 is a left side elevational view thereof.

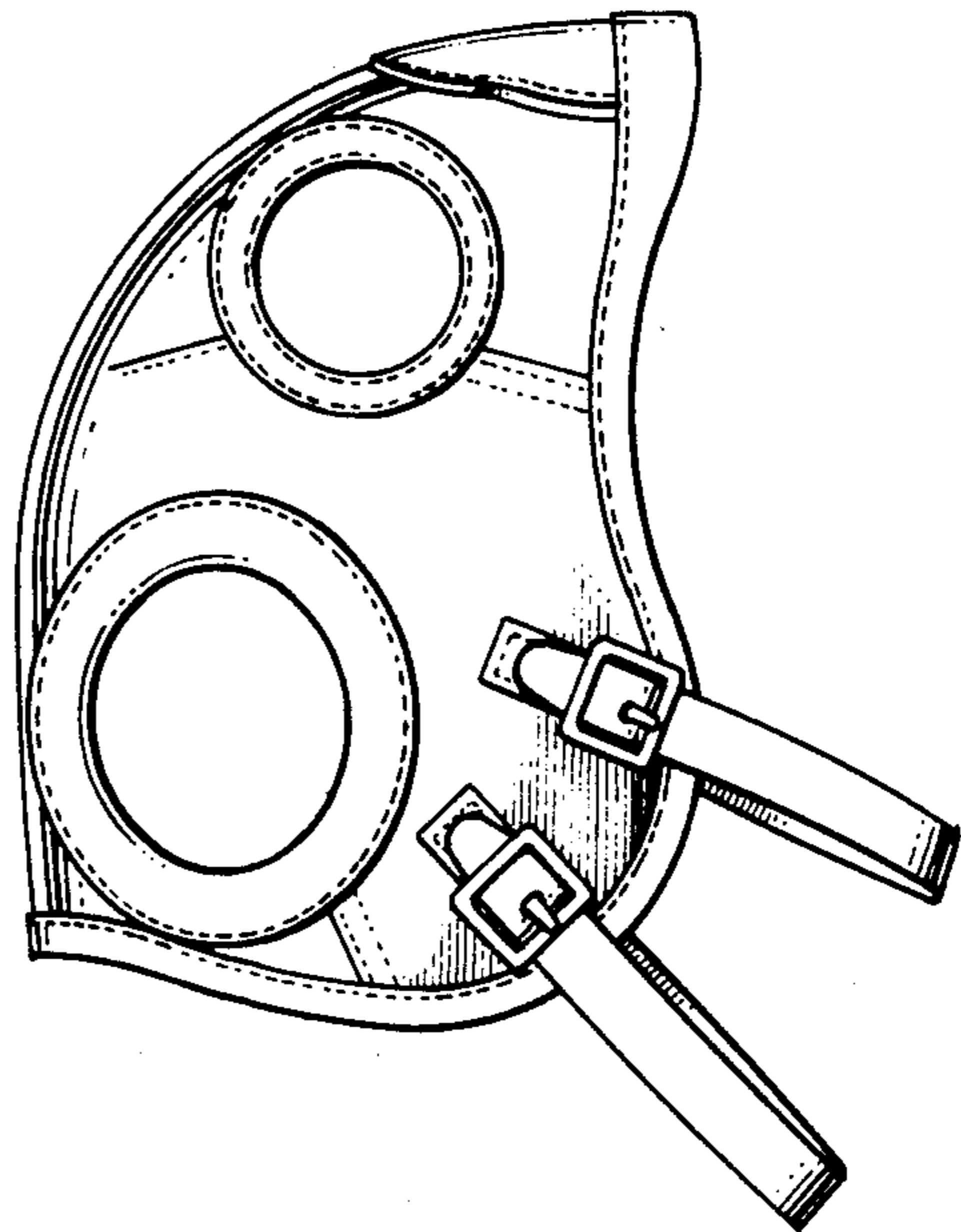


Fig. 1.



Fig. 2.

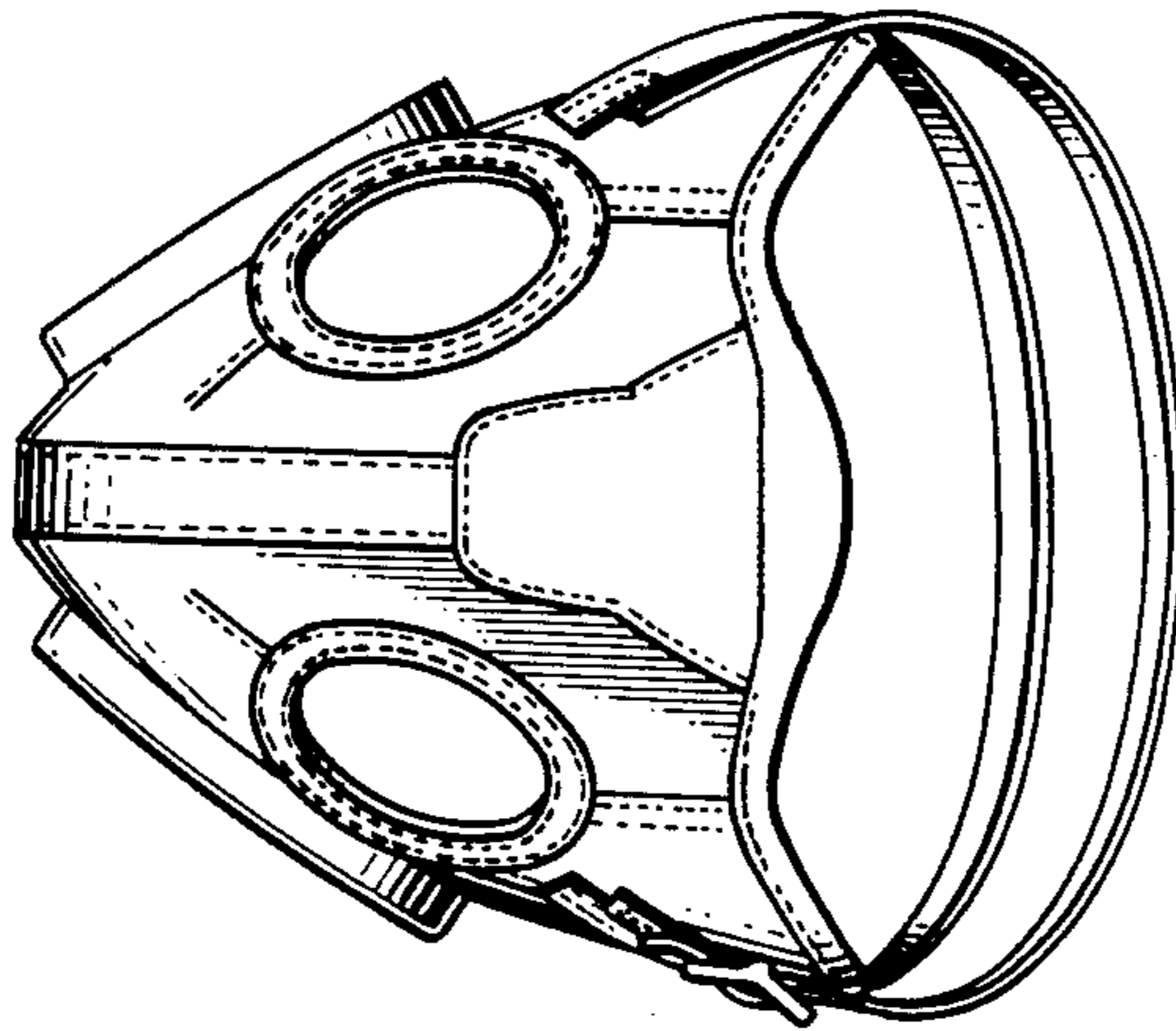
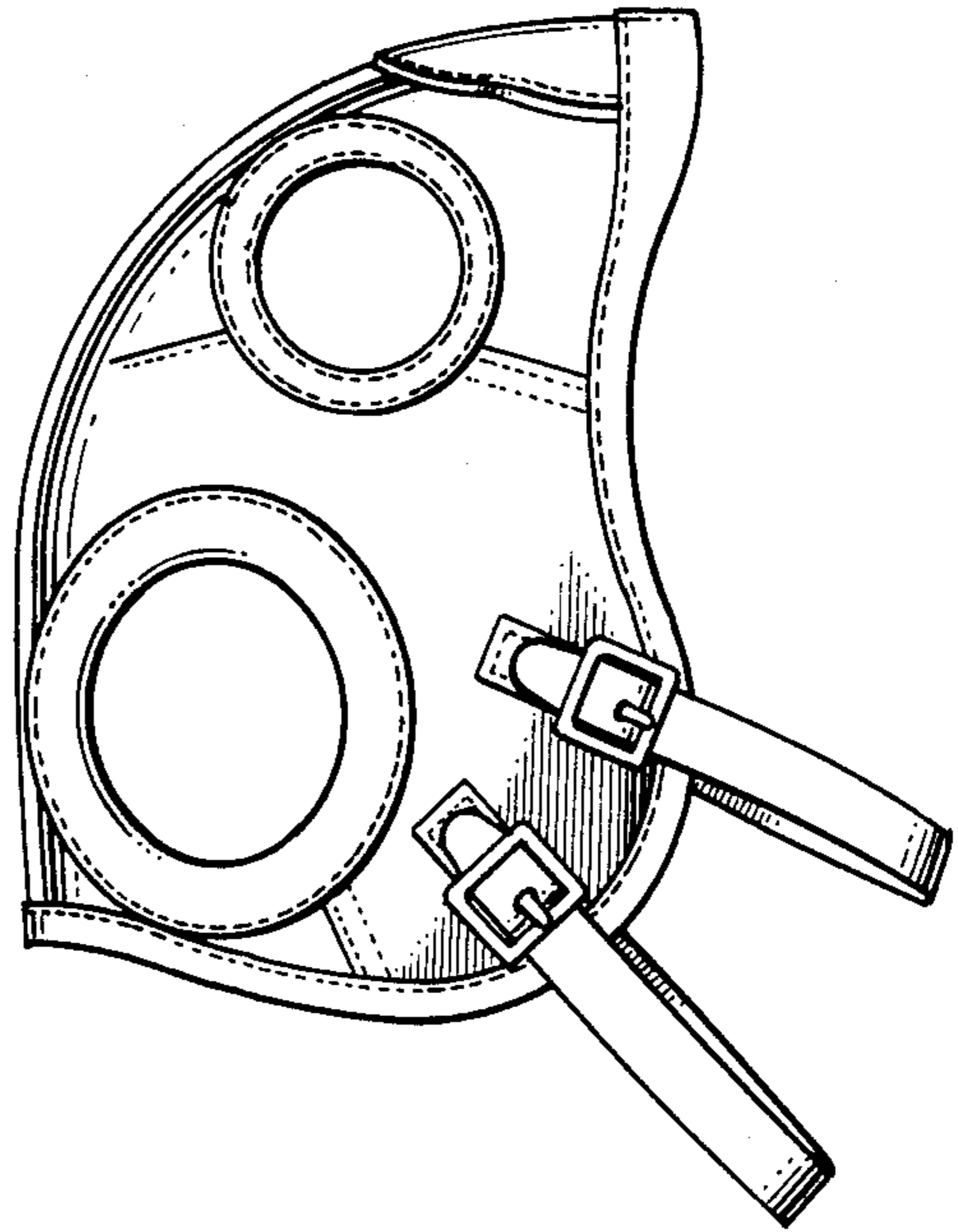


Fig. 3.

Fig. 4.

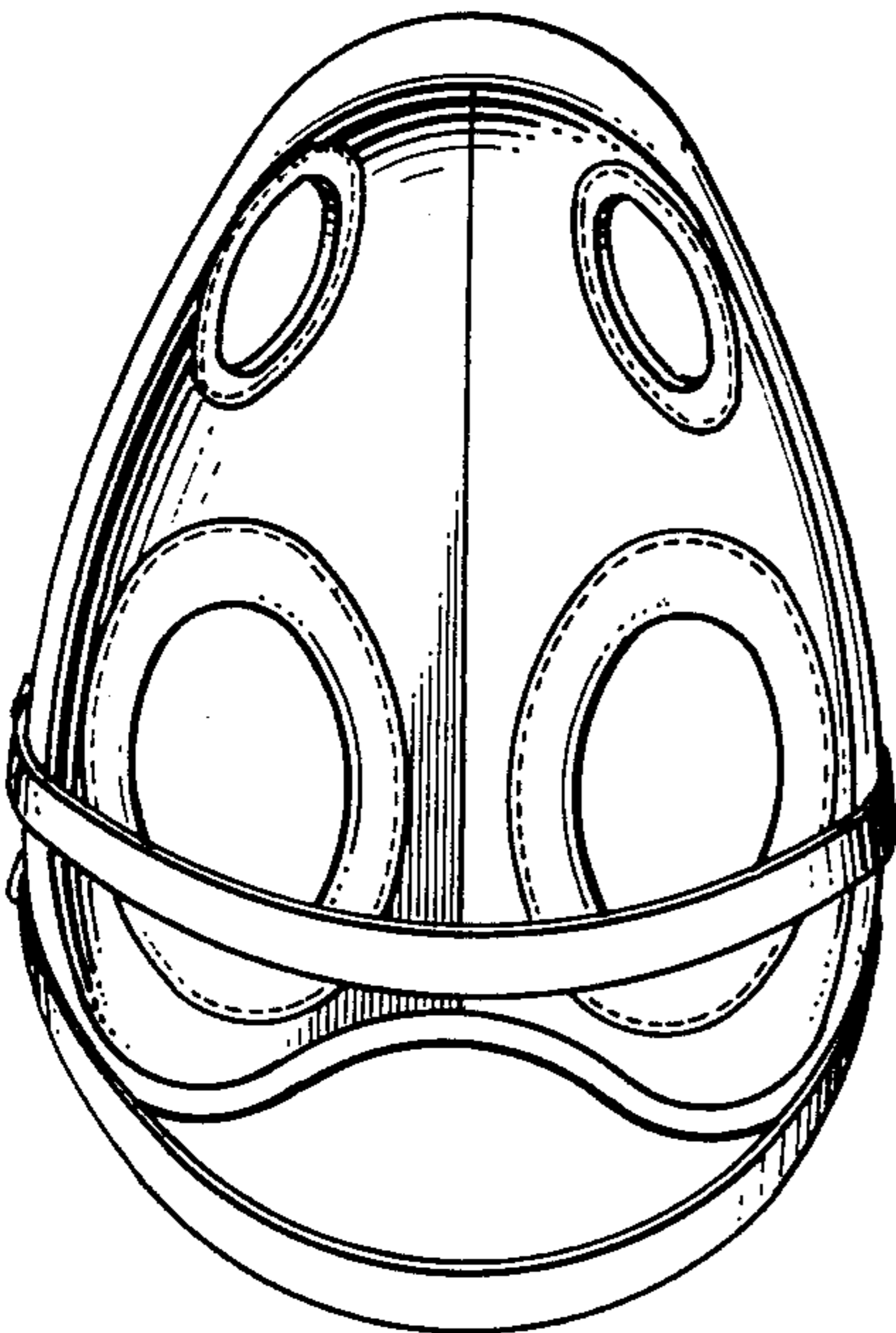


Fig. 5.

