

[54] TELEPHONE STATION SET BASE

[75] Inventors: Donald Michael Genaro, Haworth, N.J.; Gordon Elliot Sylvester, Jamaica, N.Y.; Alvin Richard Tilley, Red Bank, N.J.

[73] Assignee: Bell Telephone Laboratories, Incorporated, Murray Hill, N.J.

[**] Term: 14 Years

[21] Appl. No.: 718,855

[22] Filed: Aug. 30, 1976

[51] Int. Cl. D14-03

[52] U.S. Cl. D14/60

[58] Field of Search D26/14 A, 5 C; 179/178, 179/179, 100 R, 100 D, 146 R, 100 C

[56] References Cited

U.S. PATENT DOCUMENTS

3,515,816	6/1970	Laing	179/100 R
D. 202,787	11/1965	Dreyfuss	D26/14 A
D. 213,565	3/1969	Janda	D26/14 A
D. 217,819	6/1970	Deushi et al.	D26/14 A
D. 218,043	7/1970	Bolick	D26/14 A
D. 231,836	6/1974	Genaro et al.	D26/14 A

Primary Examiner—Bernard Ansher
Attorney, Agent, or Firm—W. L. Keefauver

[57] CLAIM

The ornamental design for a telephone station set base, substantially as shown and described.

DESCRIPTION

FIG. 1 is a top front perspective view of a telephone station set base showing our new design; FIG. 2 is a top rear perspective thereof; FIG. 3 is a rear elevation thereof; FIG. 4 is a front elevation thereof; FIG. 5 is a top plan view thereof; and FIG. 6 is an end elevation thereof, the opposite end being a mirror image of the end shown.

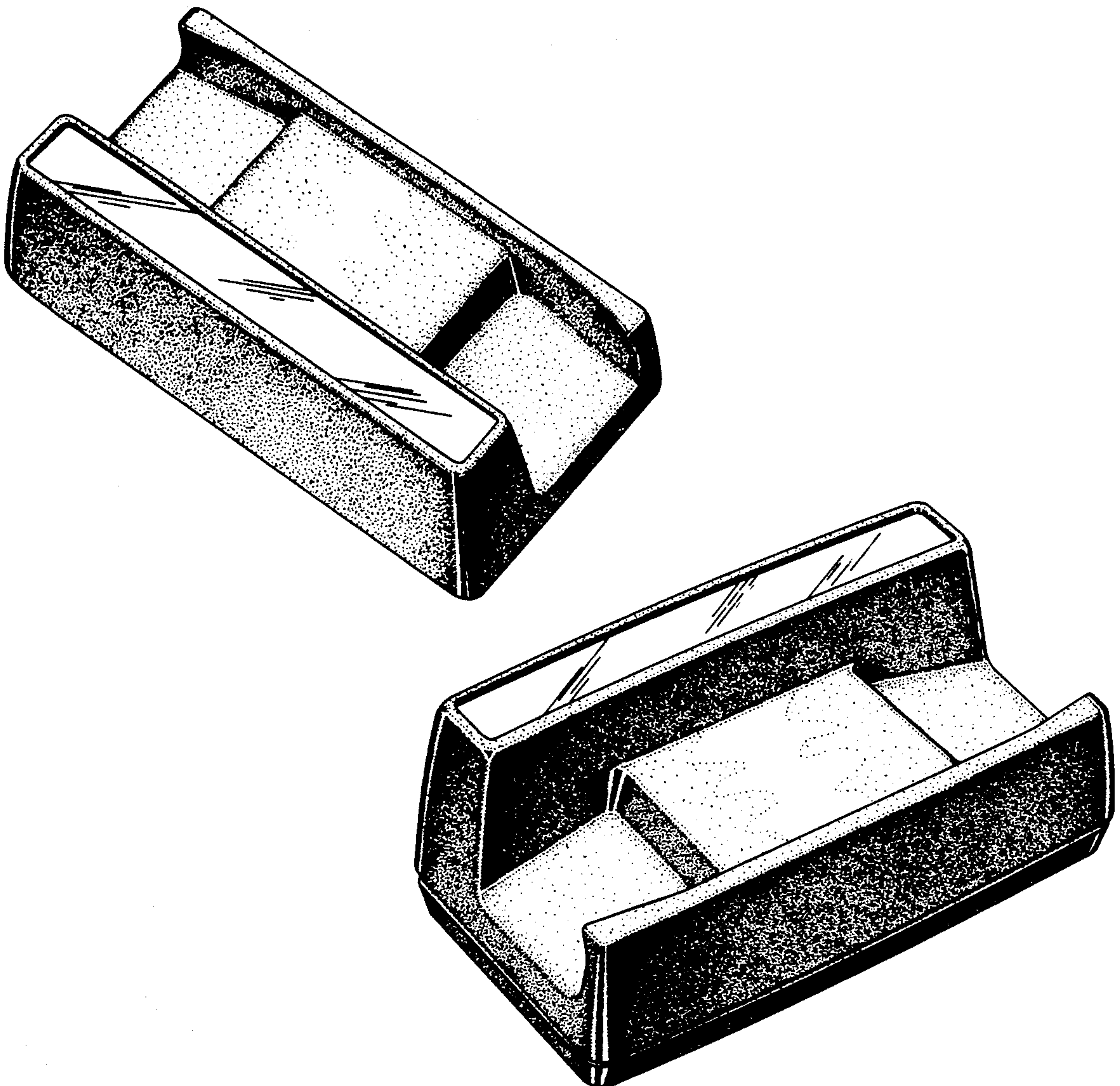


FIG. 1

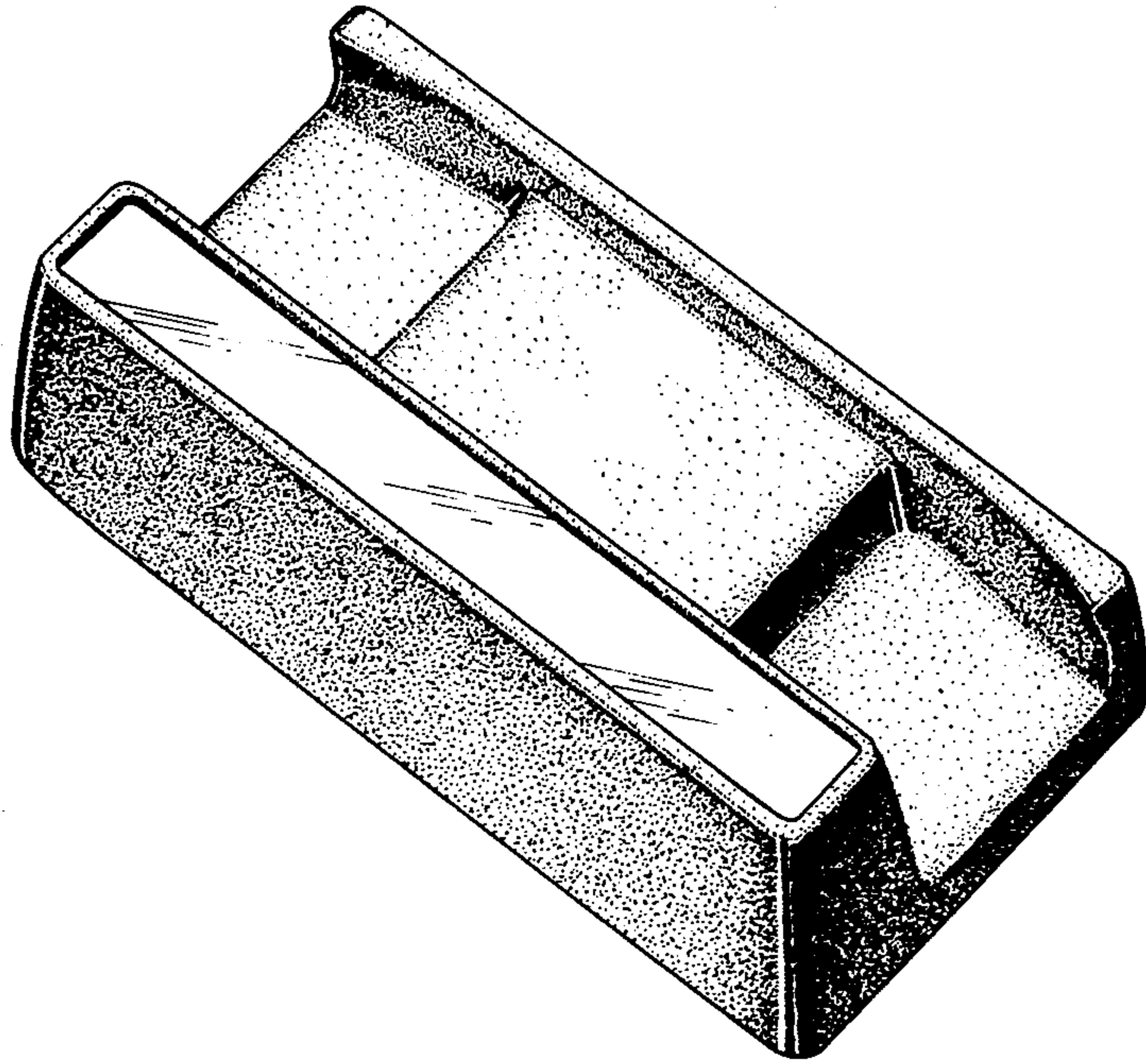


FIG. 2

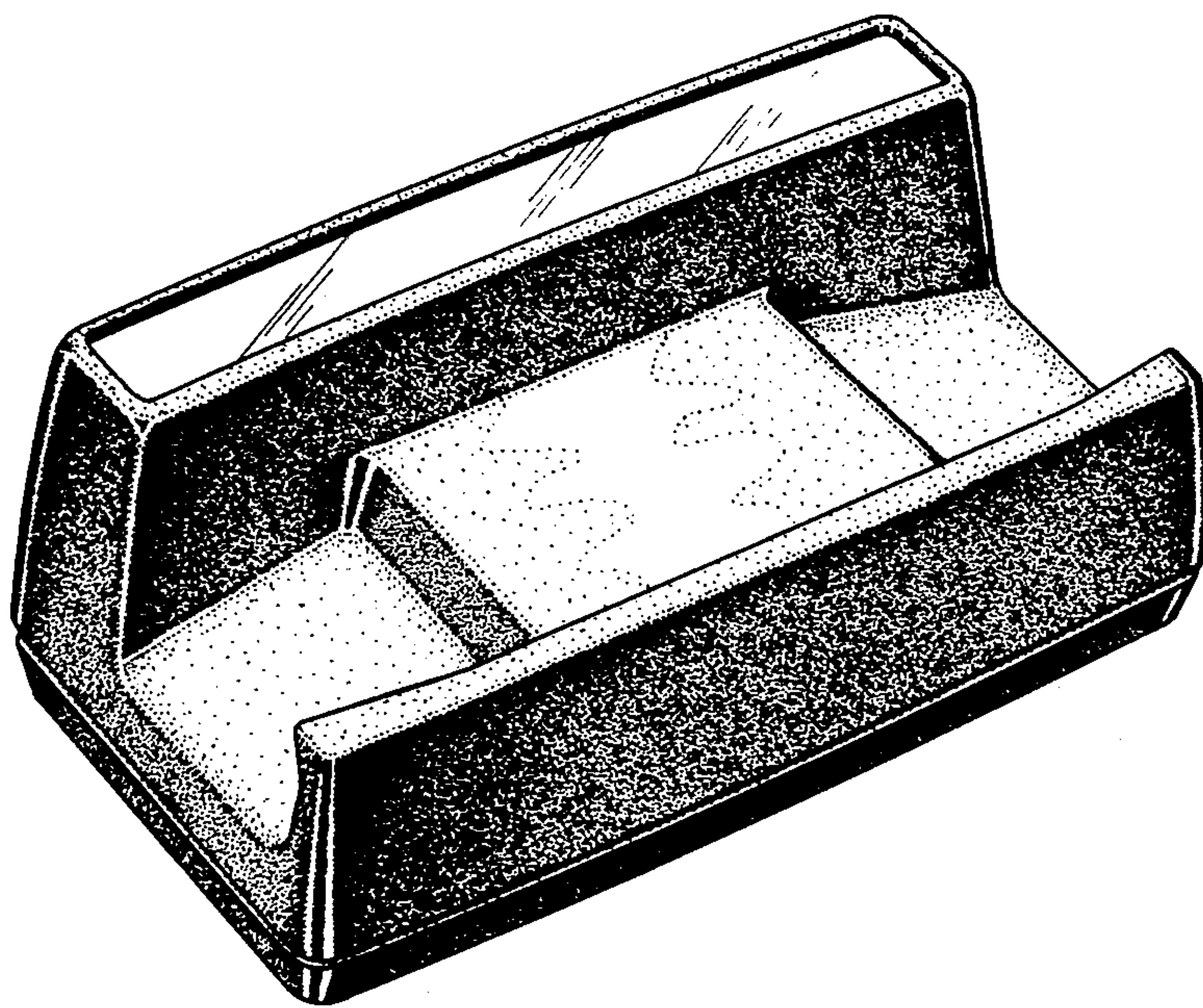


FIG. 3

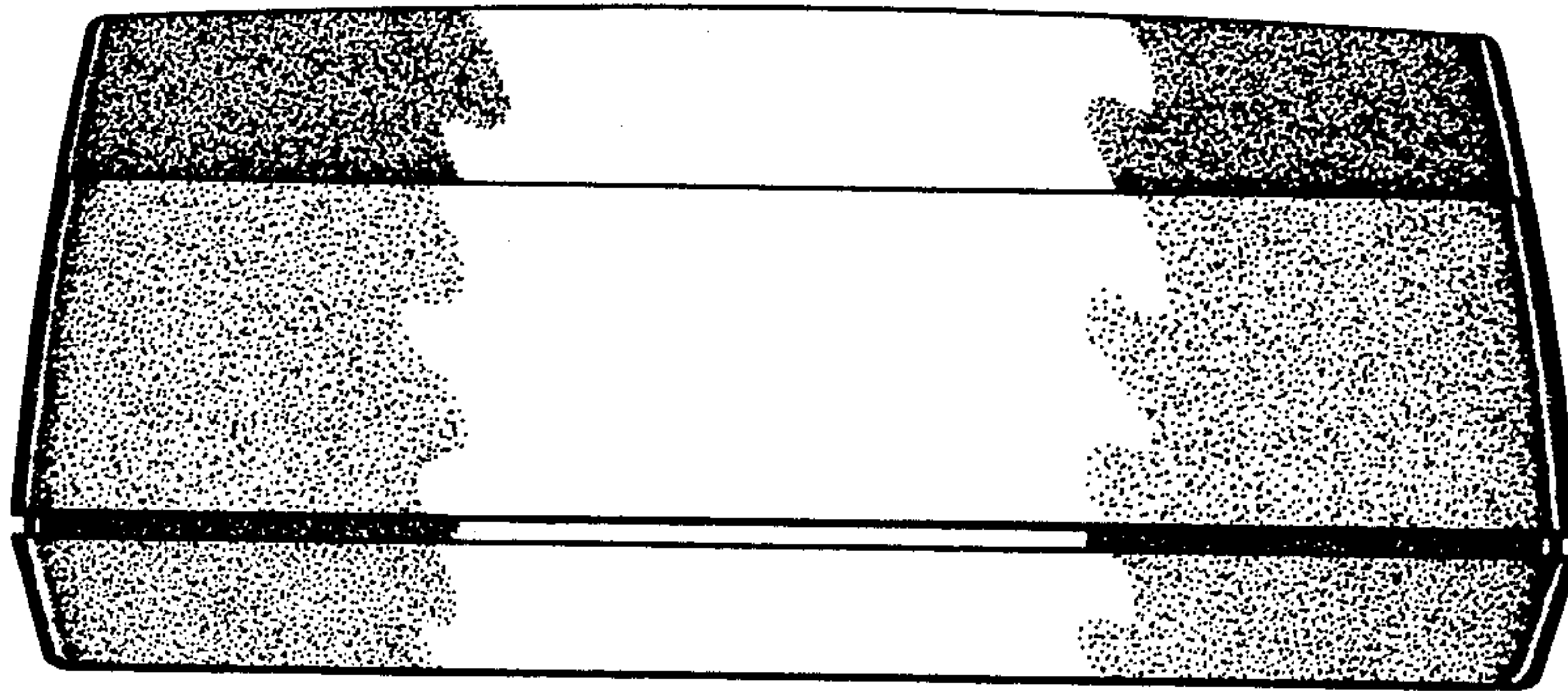


FIG. 4

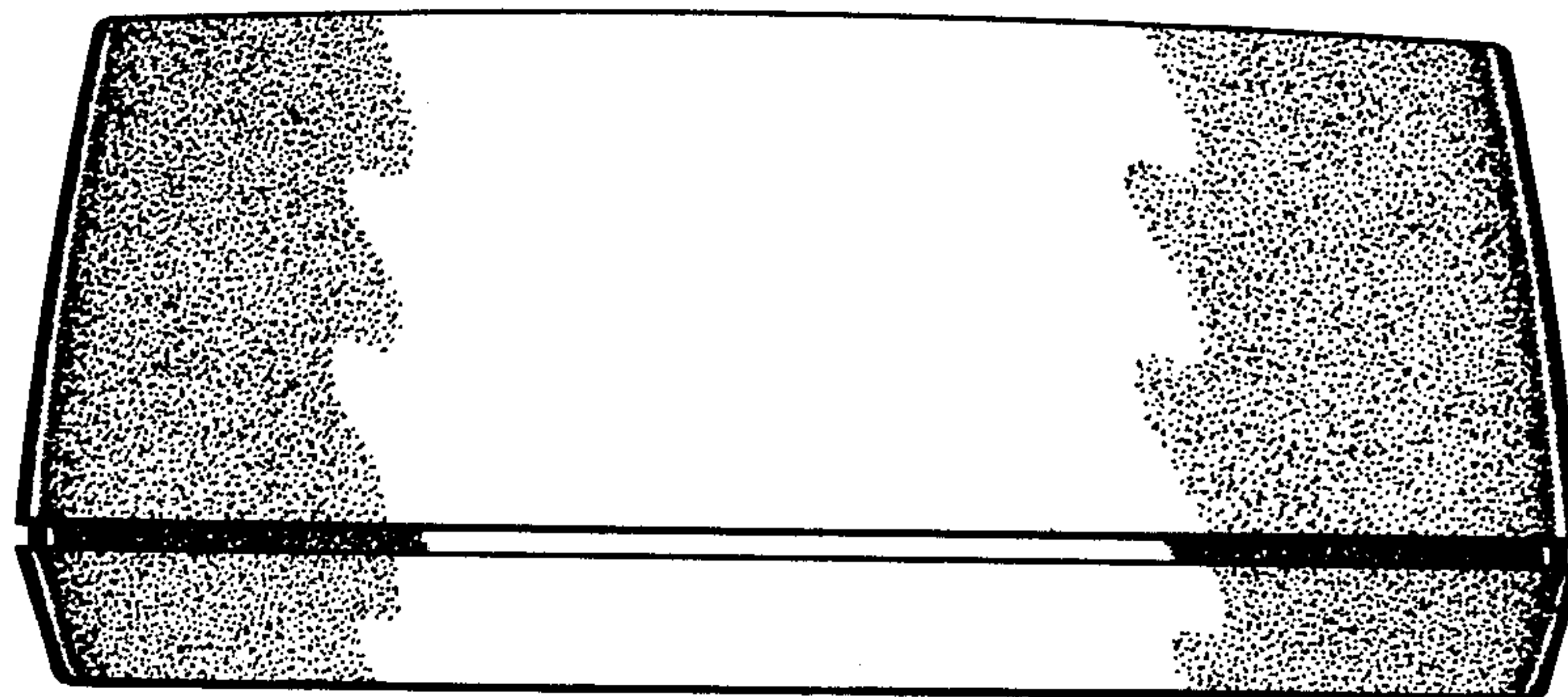


FIG. 5

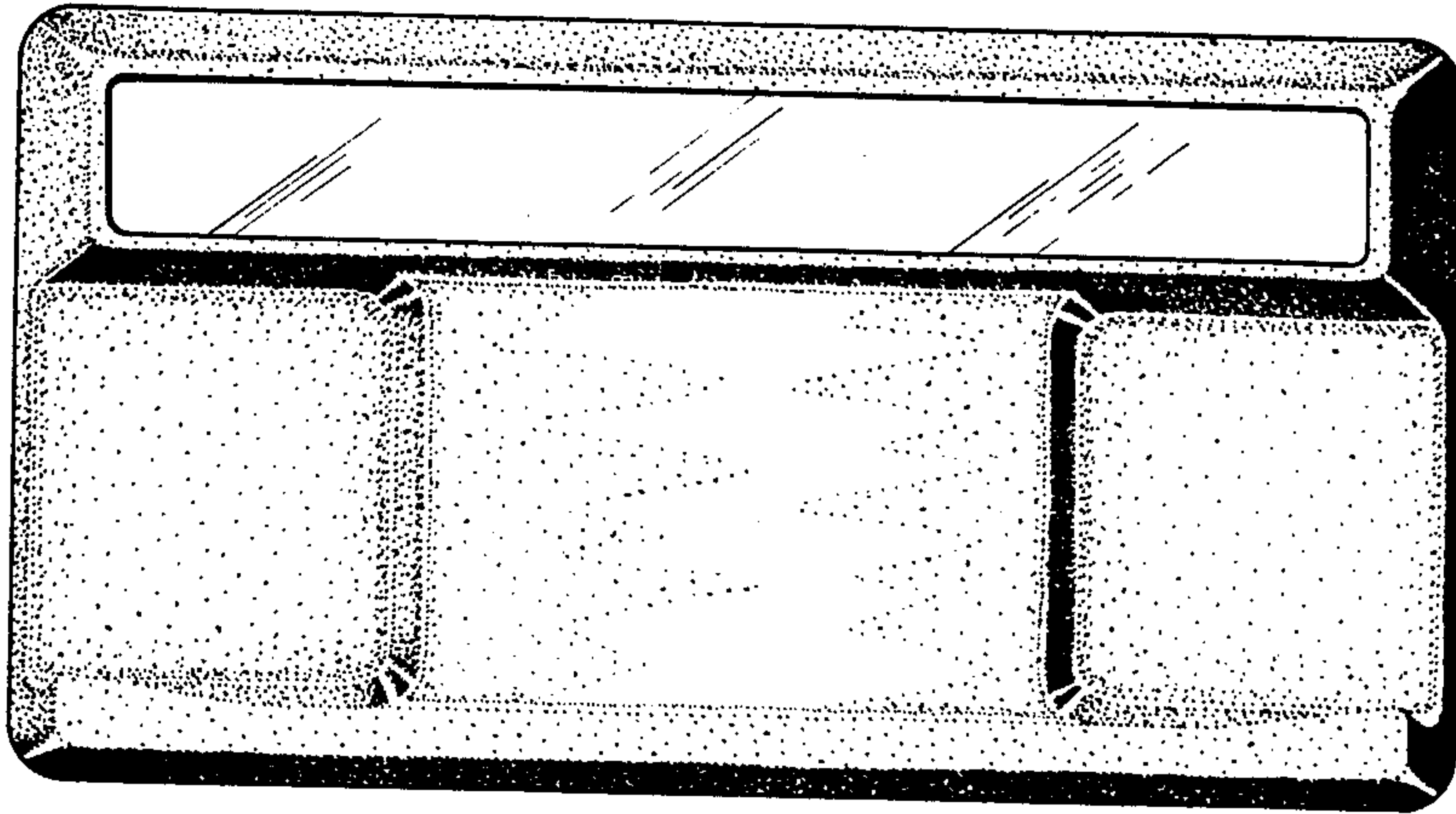


FIG. 6

