

[54] UNDERGROUND UTILITY HOUSING

[75] Inventor: Walter H. Gross, Campbell, Tex.

[73] Assignee: Burton B. Jones, Midland, Tex. ; a part interest

[**] Term: 14 Years

[21] Appl. No.: 653,643

[22] Filed: Jan. 30, 1976

[51] Int. Cl. D25-02

[52] U.S. Cl. D25/36

[58] Field of Search D26/5 B; D25/36; 174/37, 38, 39, 50; 52/69, 20

[56] References Cited

U.S. PATENT DOCUMENTS

- 3,263,853 8/1966 Smith 174/37 X
- 3,801,727 4/1974 Wilkerson et al. 174/37 X

- D. 210,934 5/1968 Johnson D25/36
- D. 217,672 5/1970 Vilegi et al. D26/5 B

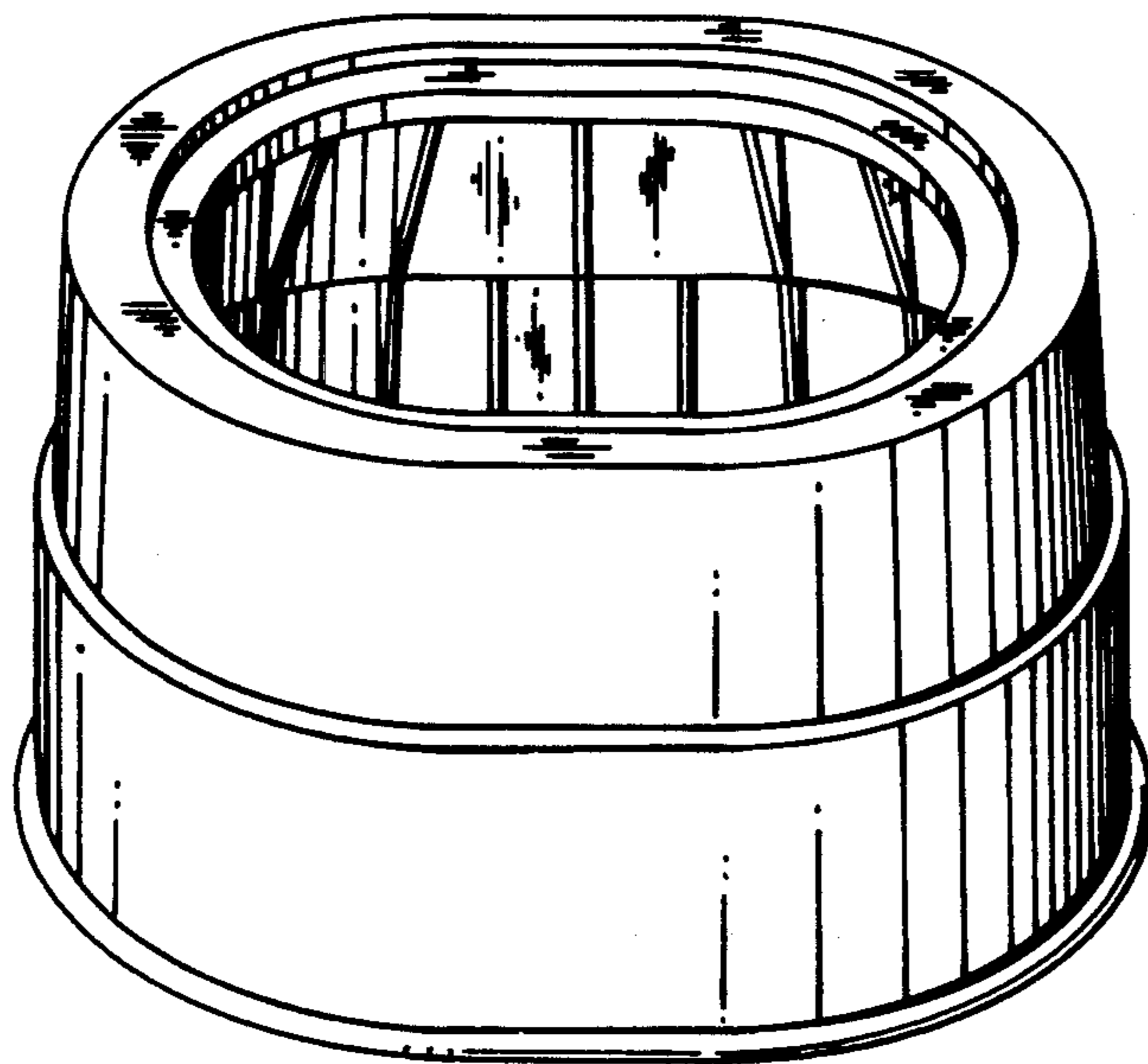
Primary Examiner—A. Hugo Word
Attorney, Agent, or Firm—David L. Davis

[57] CLAIM

The ornamental design for an underground utility housing, or similar article, substantially as shown and described.

DESCRIPTION

FIG. 1 is a perspective view from the top of an underground utility housing showing my new design.
 FIG. 2 is a perspective view from the bottom thereof.
 FIG. 3 is a top plan view thereof.
 FIG. 4 is a side plan view thereof, the side opposite that shown in FIG. 4 being identical to the side shown.
 FIG. 5 is an end plan view thereof, the end opposite that shown in FIG. 5 being identical to the end shown.
 FIG. 6 is a bottom plan view thereof.



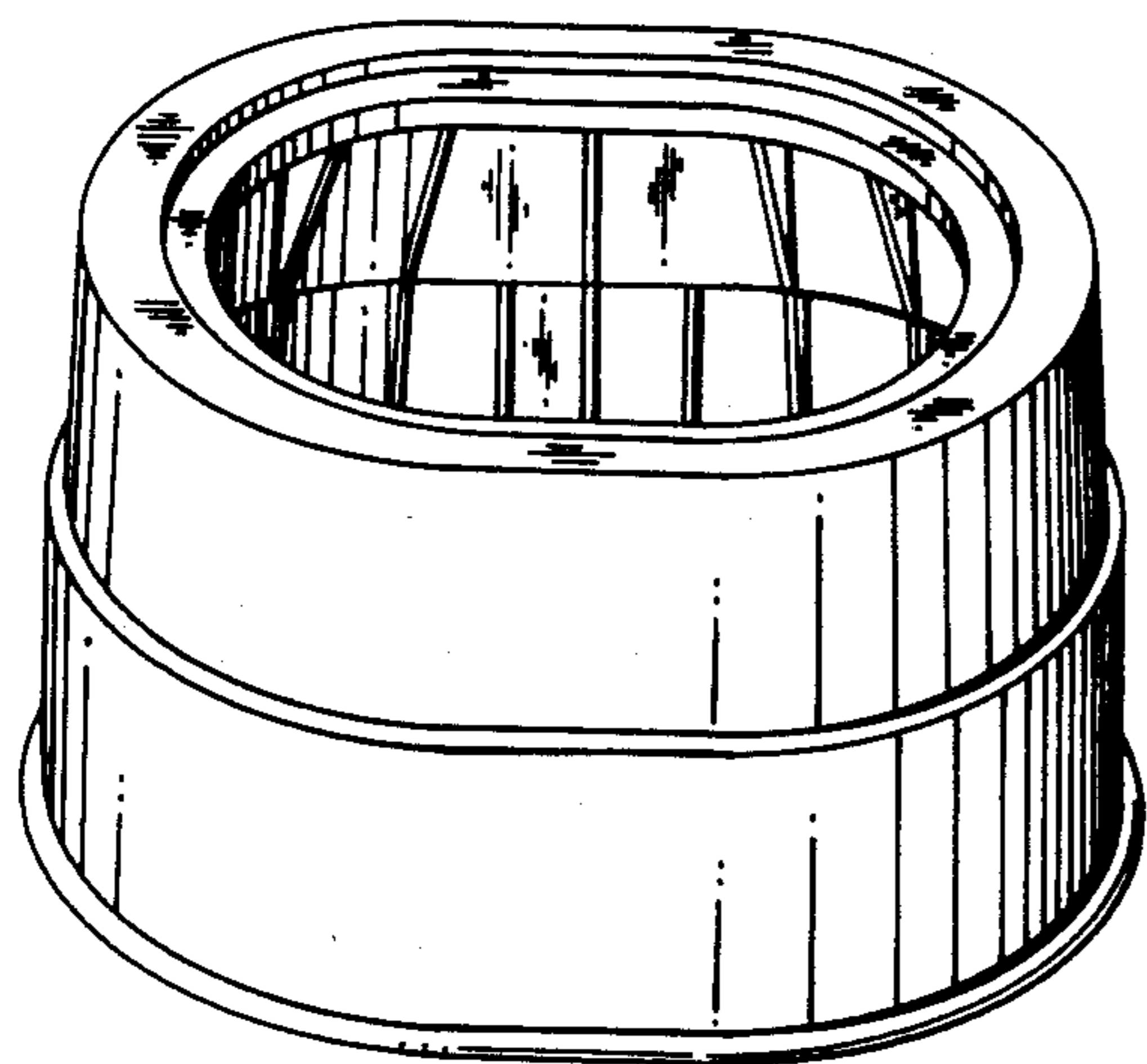


FIG. 1

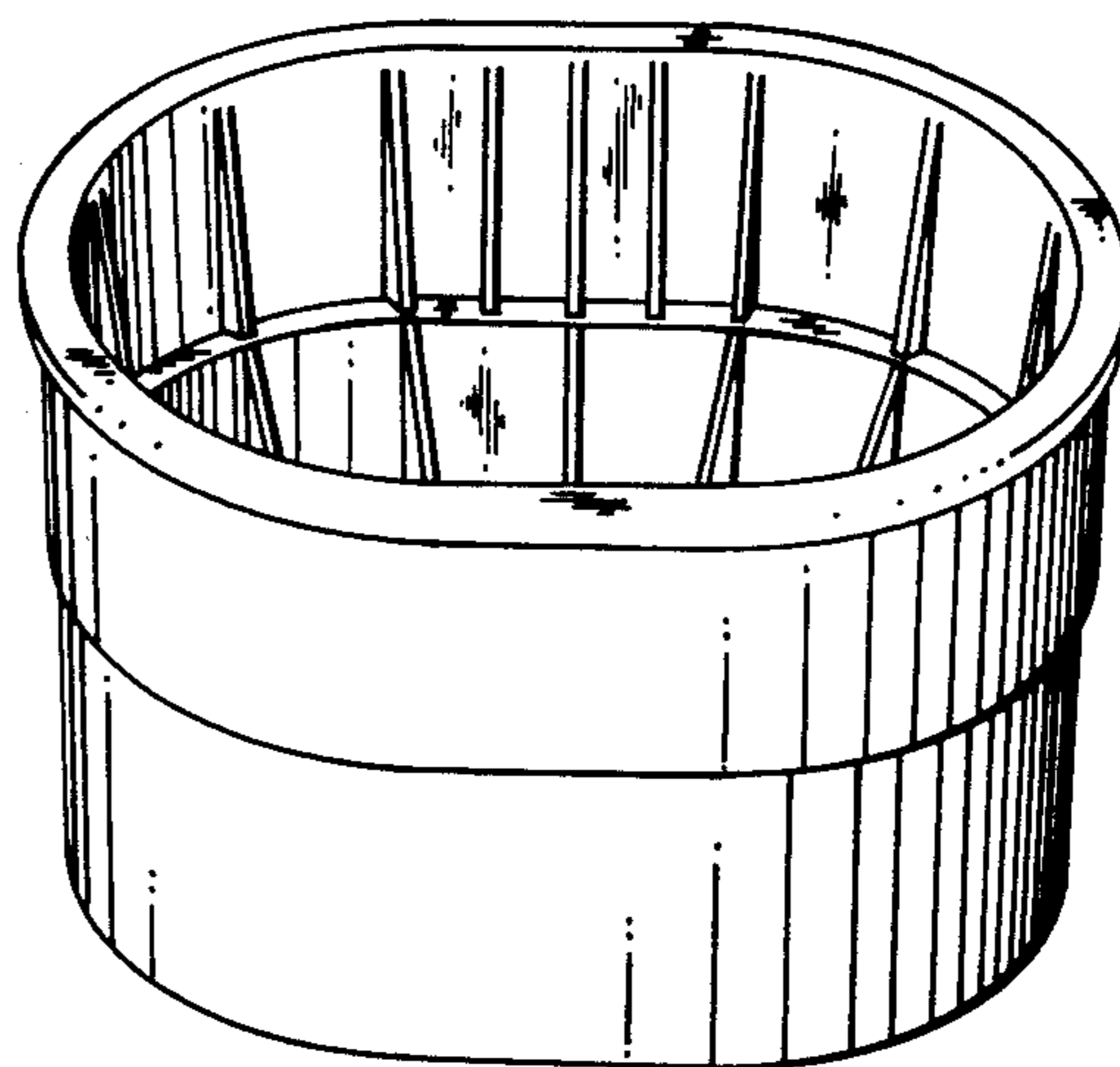


FIG. 2

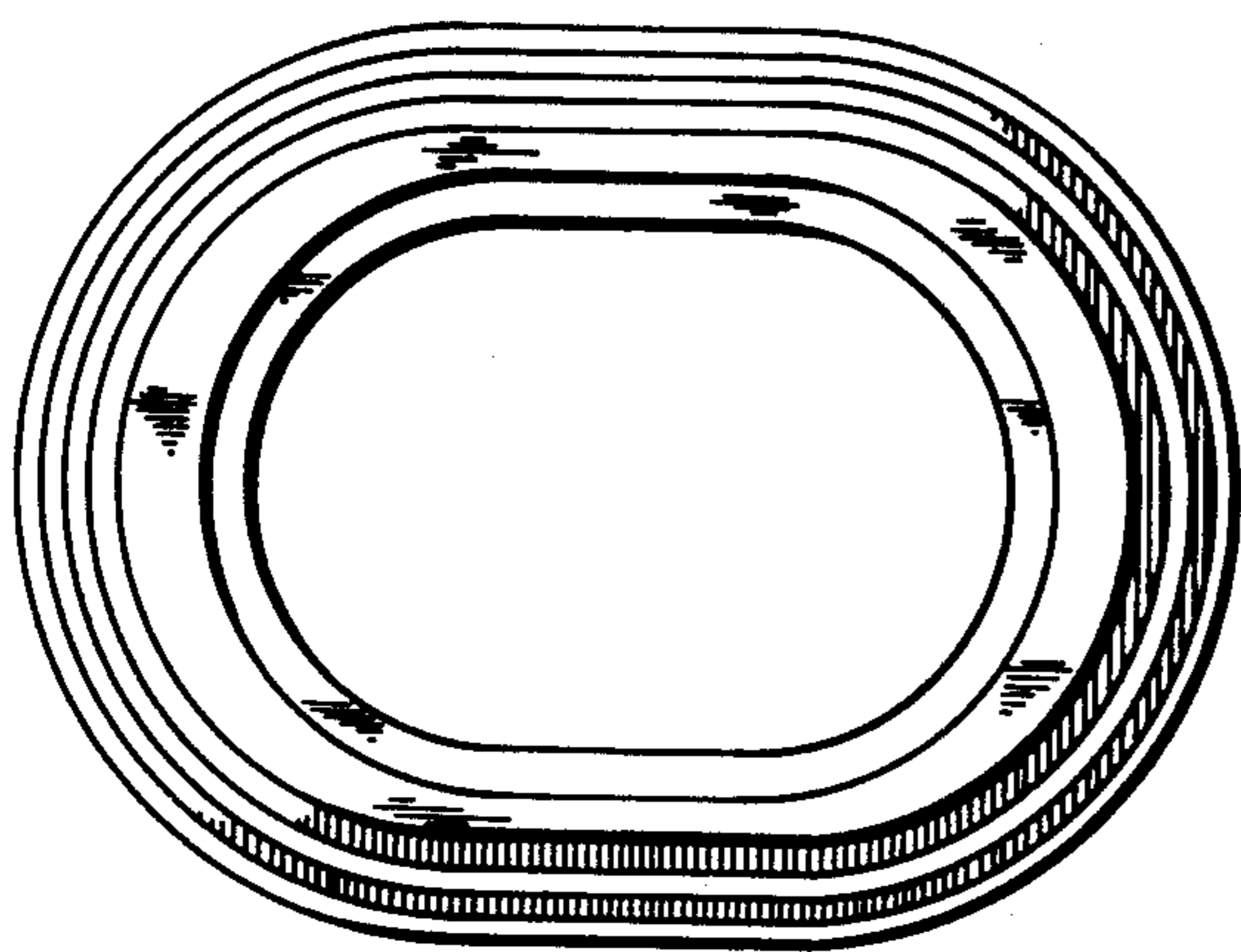


FIG. 3

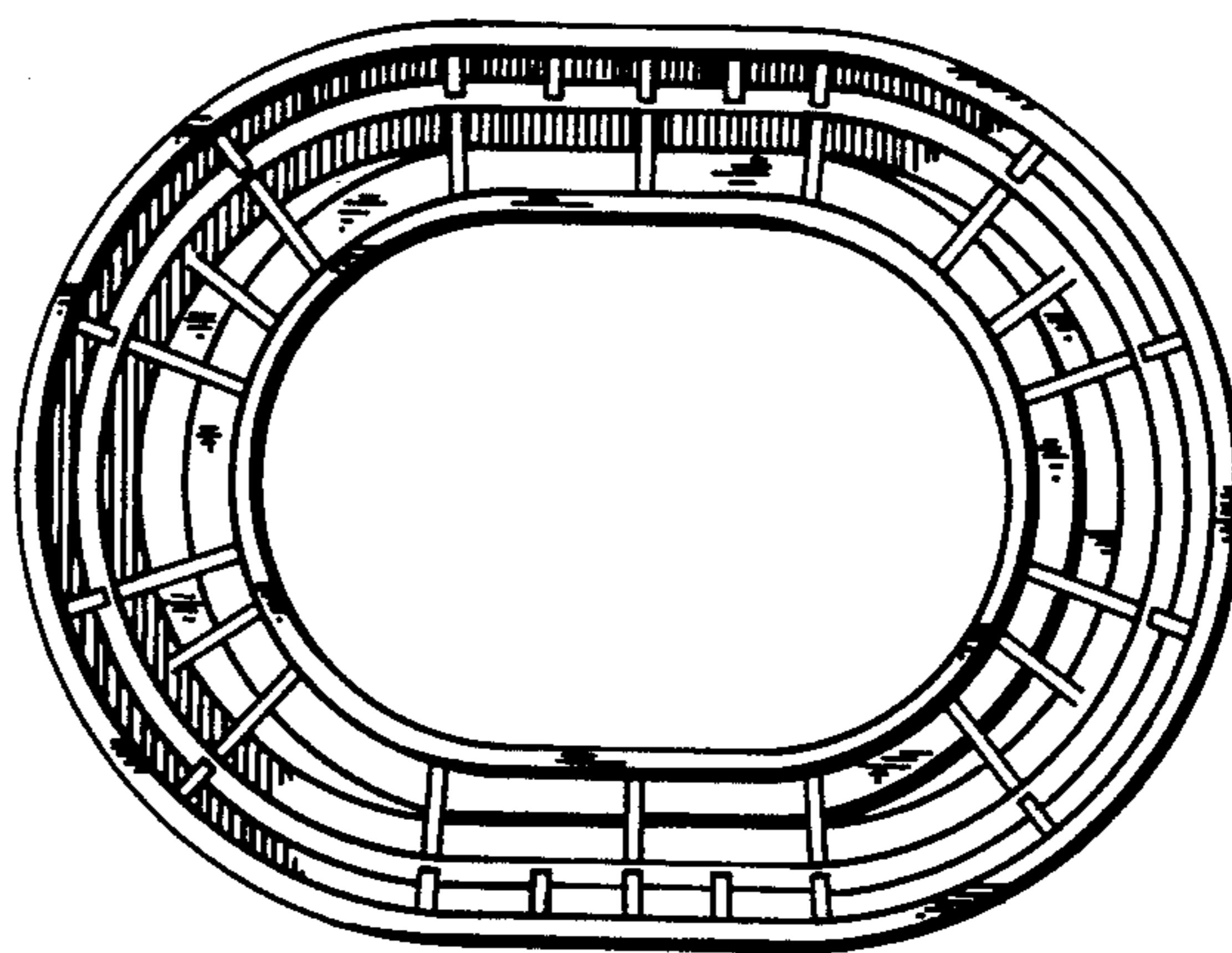


FIG. 6

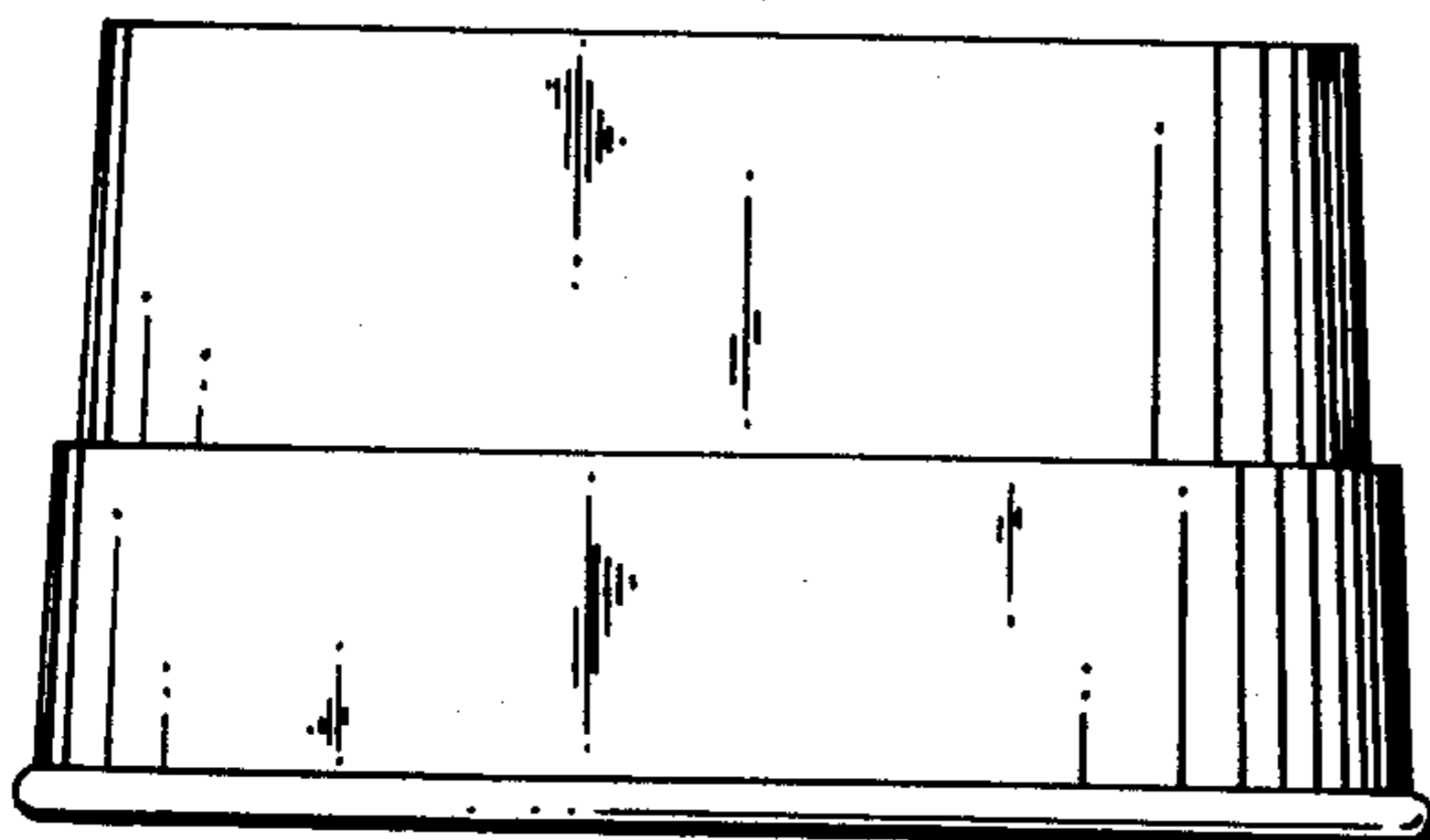


FIG. 4

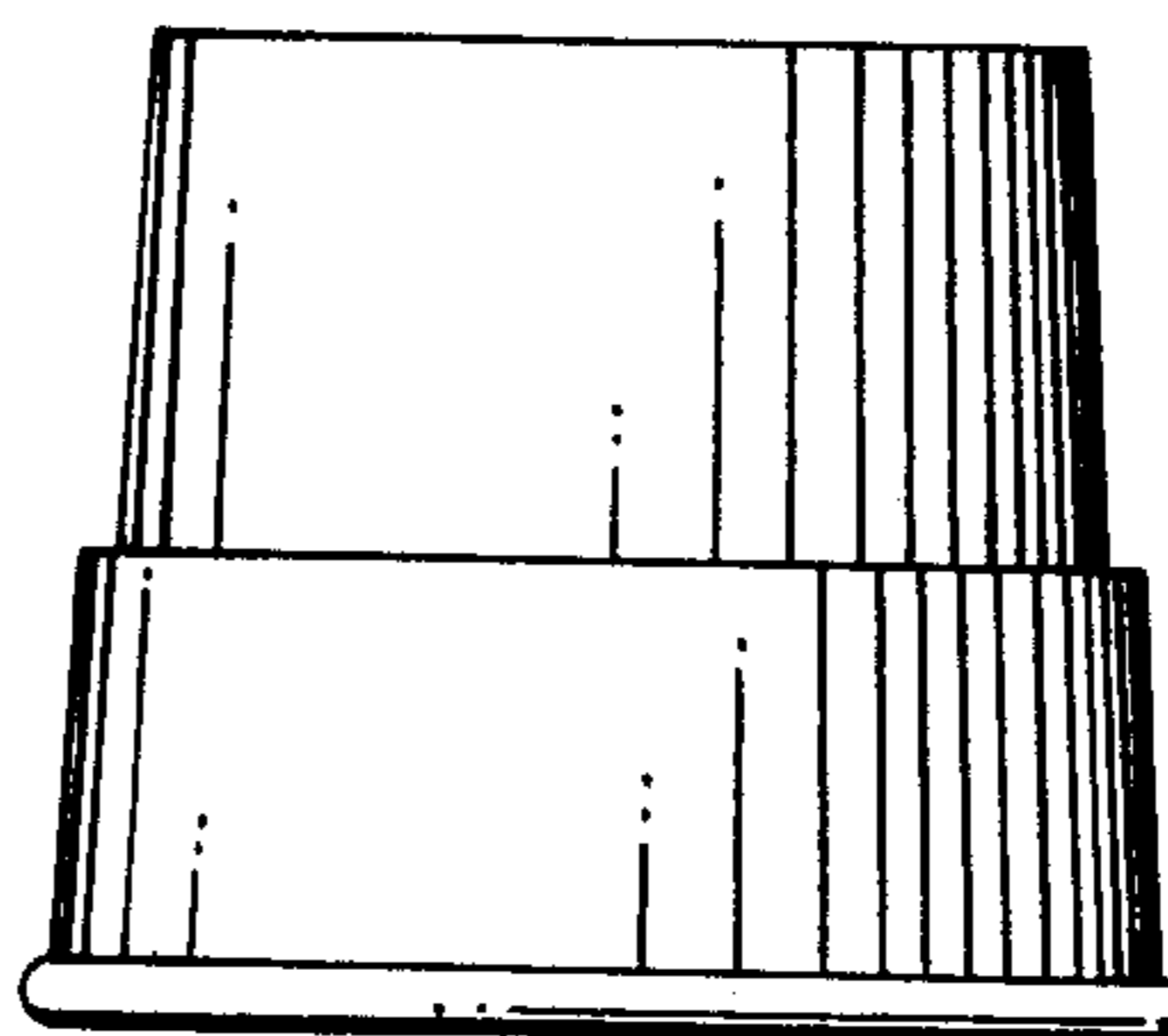


FIG. 5