

United States Patent [19]

Wilson

[11] **Des. 245,099**

[45] **** July 19, 1977**

[54] **VENTILATOR FOR A VEHICLE, HOUSING STRUCTURE OR THE LIKE**

[76] Inventor: **Wilfred W. Wilson**, 1055 Bloor St. E. Penthouse 12, Mississauga, Ontario, Canada

[**] Term: **14 Years**

[21] Appl. No.: **566,728**

[22] Filed: **Apr. 10, 1975**

[51] Int. Cl. **D23-04**

[52] U.S. Cl. **D23/164**

[58] Field of Search **D23/139, 114, 112, 111, D23/163, 115, 151, 164; 98/2, 2.06, 2.07, 2.11, 2.12, 2.14, 2.15, 2.18, 37**

[56] **References Cited**

U.S. PATENT DOCUMENTS

1,045,776	11/1912	Dunham	98/2.12 X
2,774,227	12/1956	Schjolin et al.	98/2.11 X
2,949,842	8/1960	Crandall	D23/114
3,083,630	4/1963	Thaxton	98/2.12

Primary Examiner—Wallace R. Burke

Assistant Examiner—Larry Jones

Attorney, Agent, or Firm—Peter W. McBurney

[57] **CLAIM**

The ornamental design for a ventilator for a vehicle, housing structure or the like, as shown.

DESCRIPTION

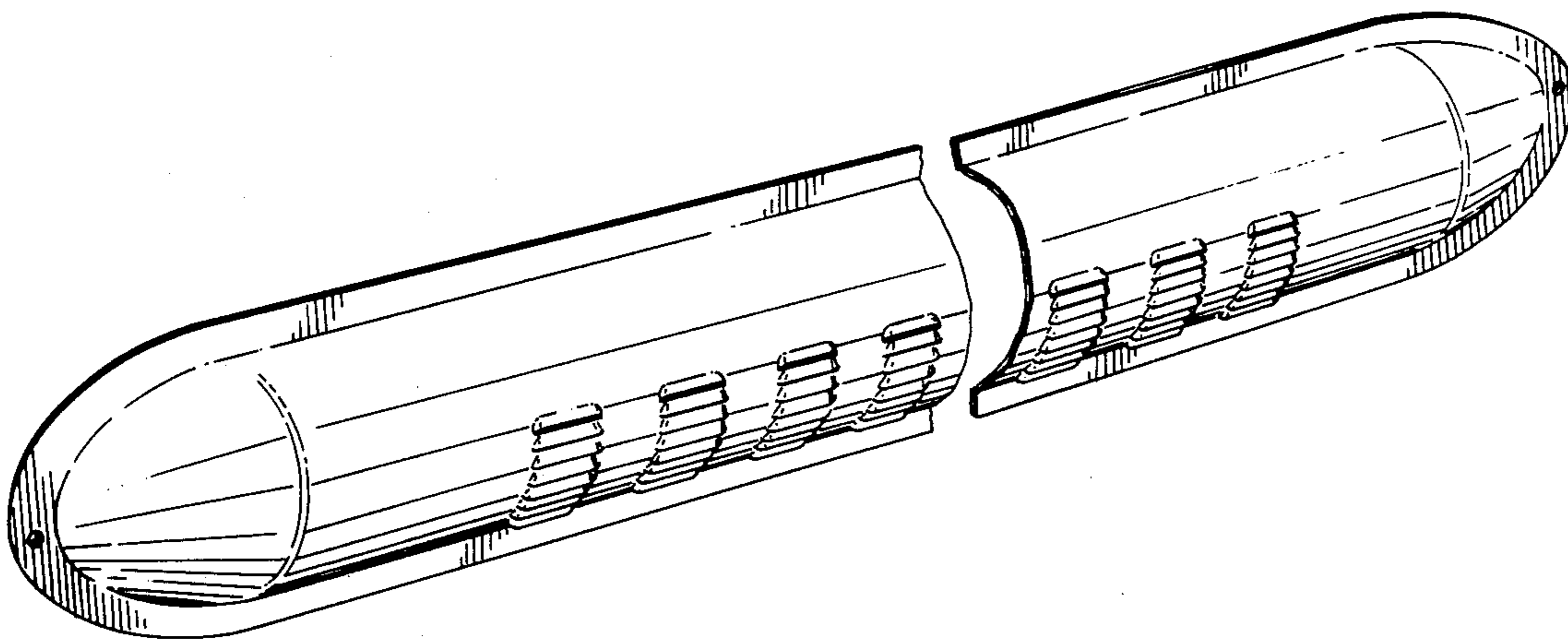
FIG. 1 is a front perspective view of a ventilator showing my design;

FIG. 2 is a rear perspective view of the said ventilator;

FIG. 3 is a side elevation of the said ventilator; and

FIG. 4 is an end elevation of the said ventilator.

FIG. 5 is a section taken along line 5-5 in FIG. 3.



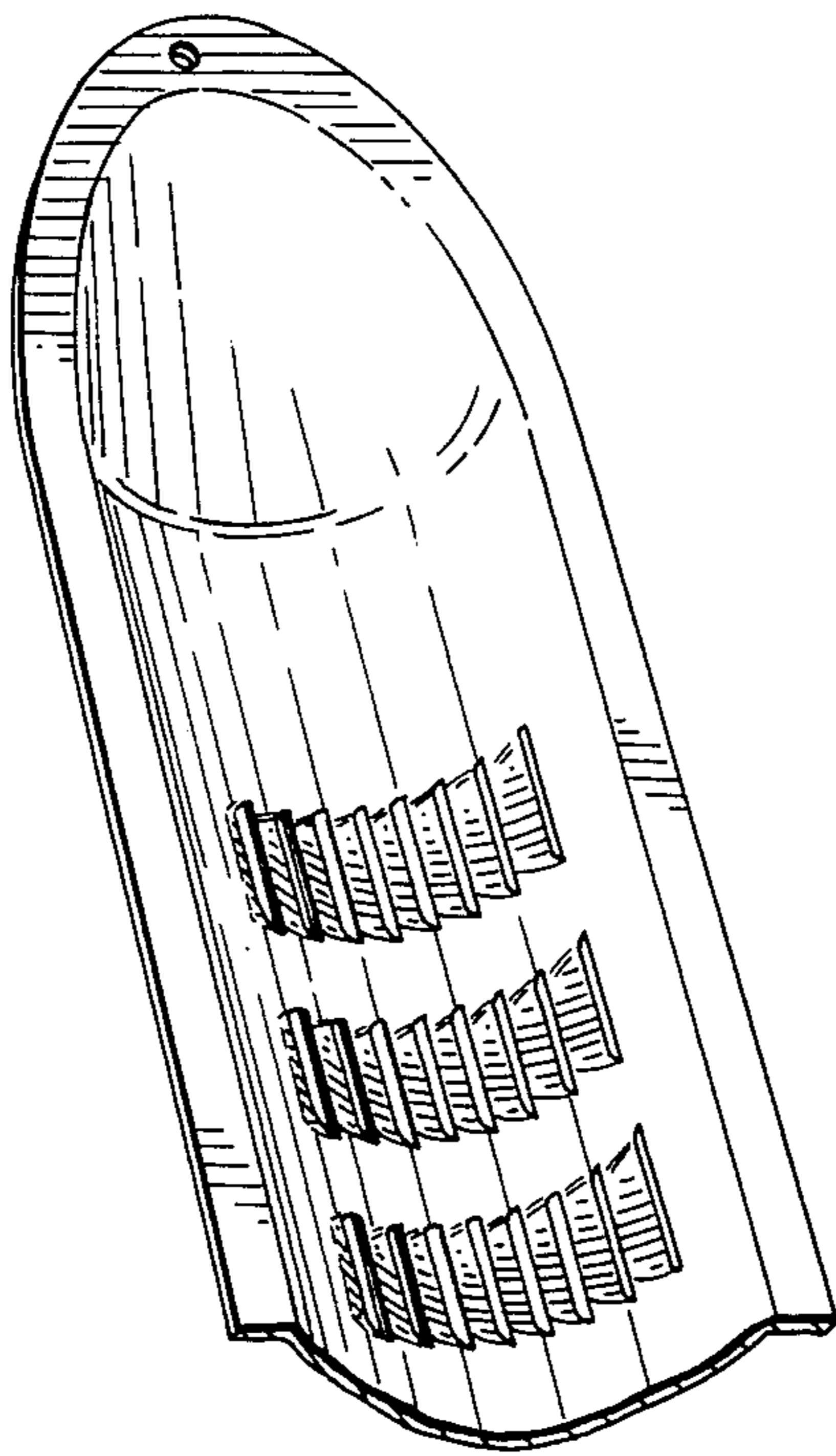
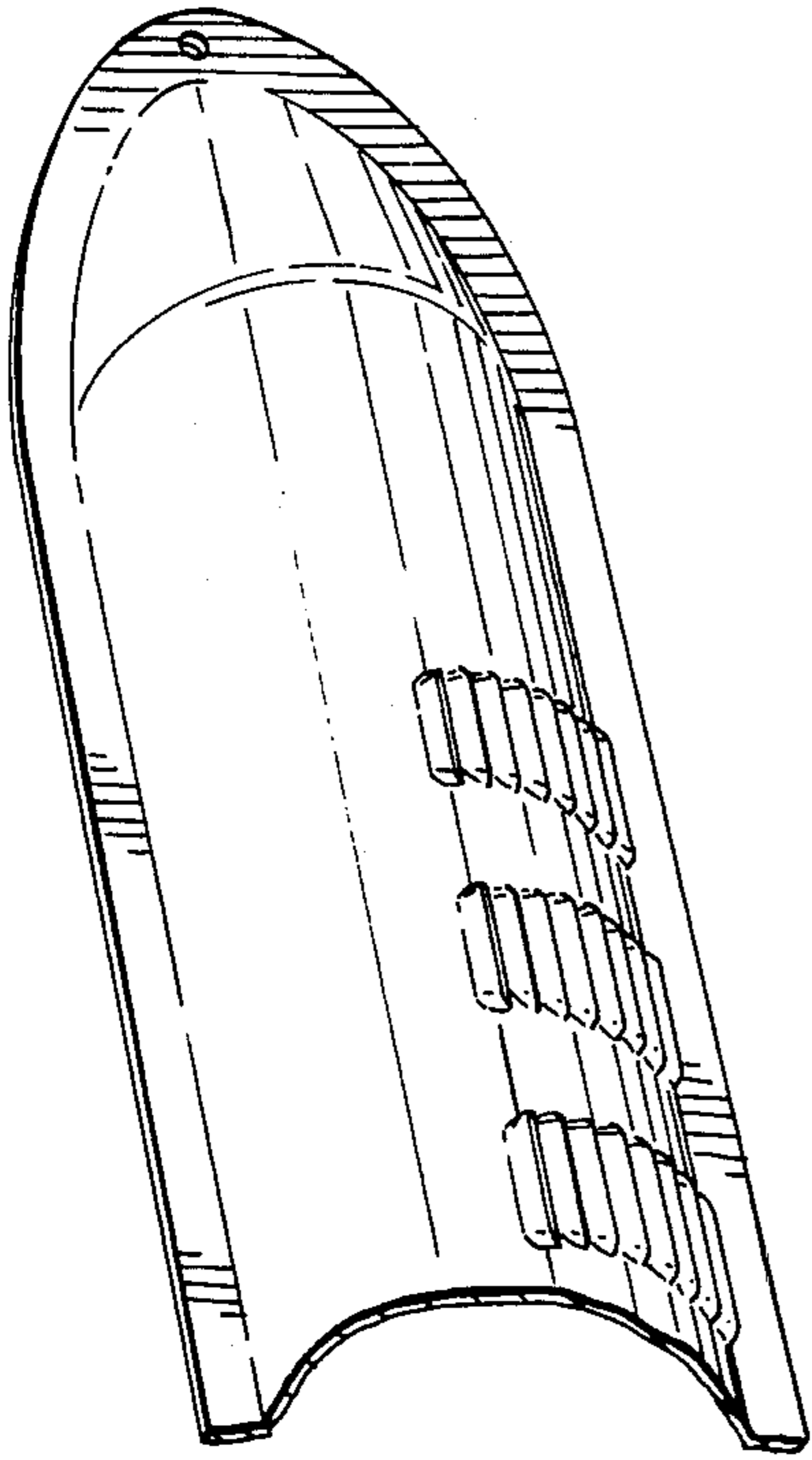


FIG. 1

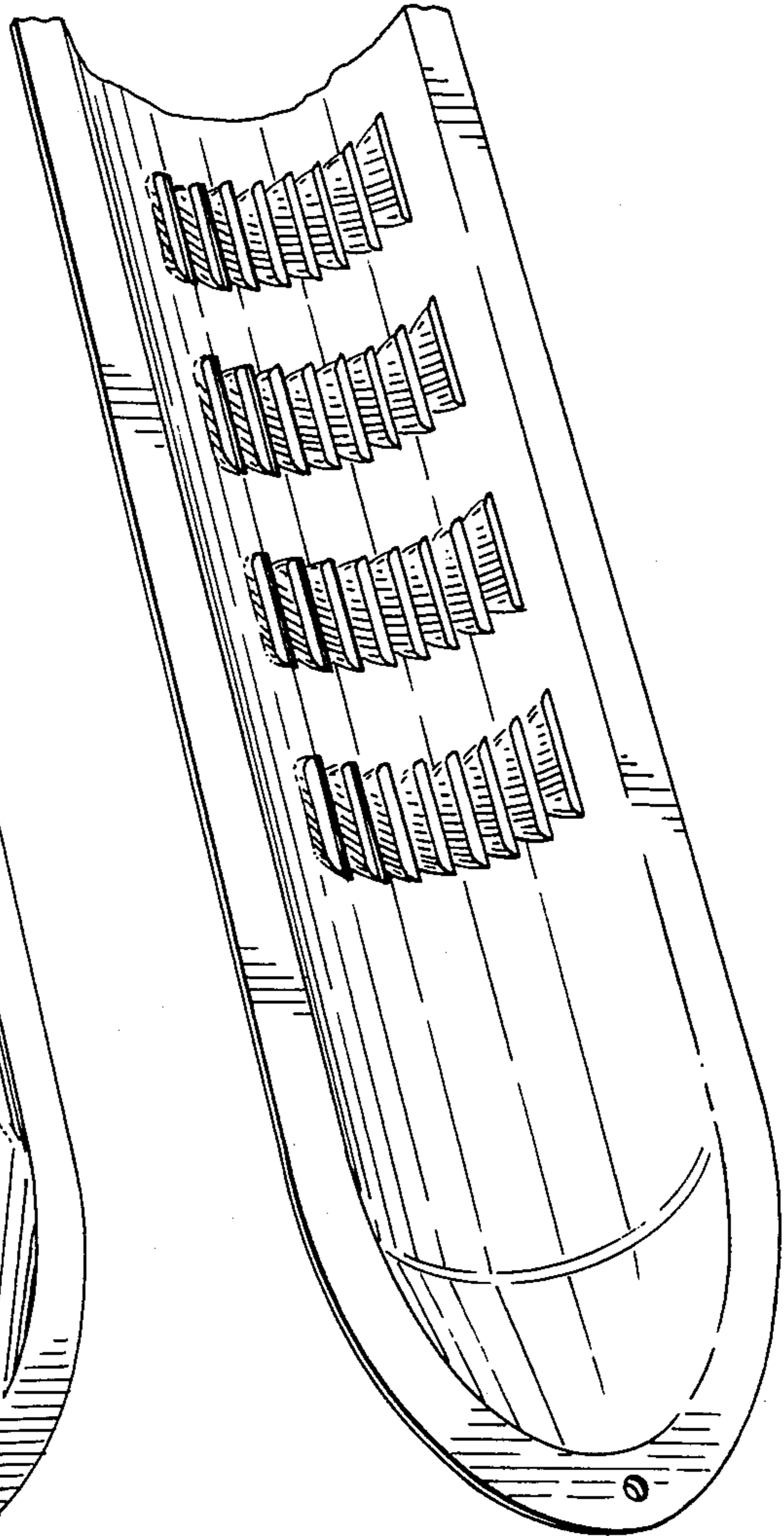
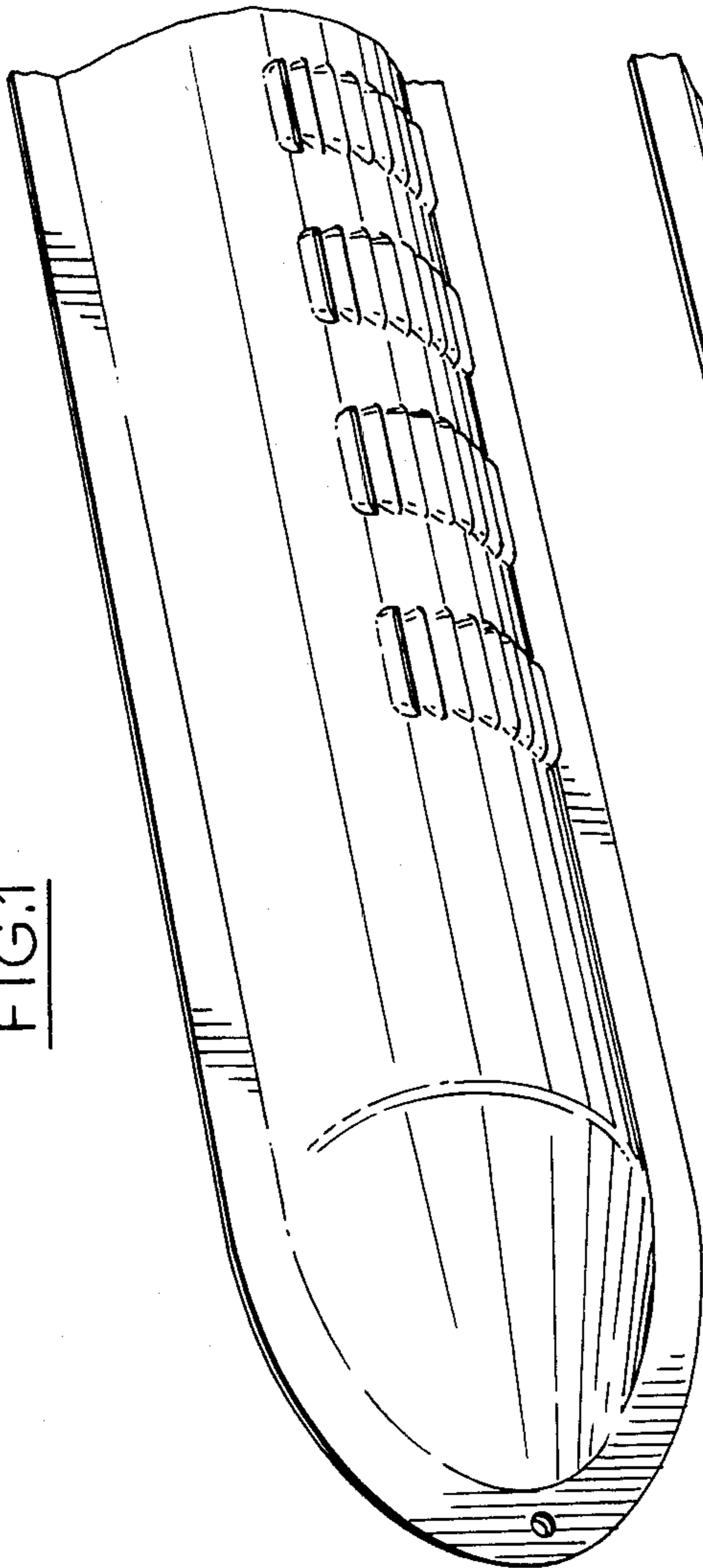


FIG. 2

