

[54] COLLAPSIBLE CHARCOAL LIGHTER

[76] Inventor: C. Arthur Heidelbach, 12 Simpson St., Geneva, Ill. 60134

[**] Term: 14 Years

[21] Appl. No.: 713,418

[22] Filed: Aug. 11, 1976

[51] Int. Cl. D23-99

[52] U.S. Cl. D23/90.1

[58] Field of Search D23/90.1; 110/1 F; 126/25 B

[56] References Cited

U.S. PATENT DOCUMENTS

2,920,614	1/1960	Phelps	110/1 F
2,939,773	6/1960	Rymer	126/25 B X
3,296,984	1/1967	Durfee	110/1 F
3,453,975	7/1969	Gunter	110/1 F
3,734,034	5/1973	Fowler	110/1 F
3,884,214	5/1975	Duncan	126/25 B

3,934,520	1/1976	Brennan	110/1 F
D. 217,184	4/1970	Davis	D23/90.1

OTHER PUBLICATIONS

Housewares Review, Apr. 1962, p. 47.

Primary Examiner—James R. Largen
Attorney, Agent, or Firm—Jacque L. Meister

[57] CLAIM

The ornamental design for a collapsible charcoal lighter, substantially as shown.

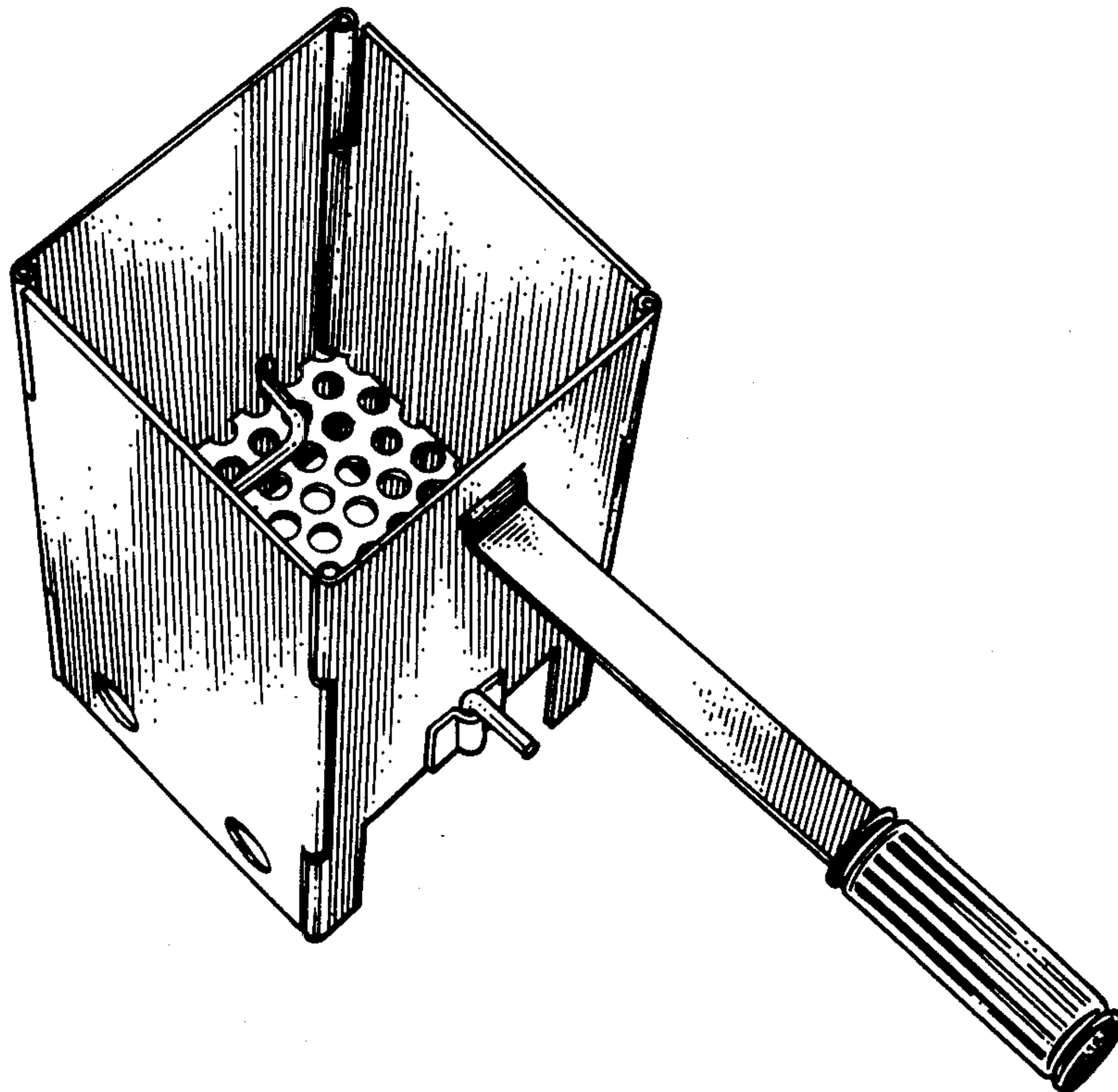
DESCRIPTION

FIG. 1 is a perspective view taken from the top, front and left side of a collapsible charcoal lighter showing my new design;

FIG. 2 is a perspective view taken from the top, rear and right side thereof;

FIG. 3 is a perspective view taken from the bottom, front and left side thereof; and

FIG. 4 is a perspective view taken from the bottom, rear and right side thereof.



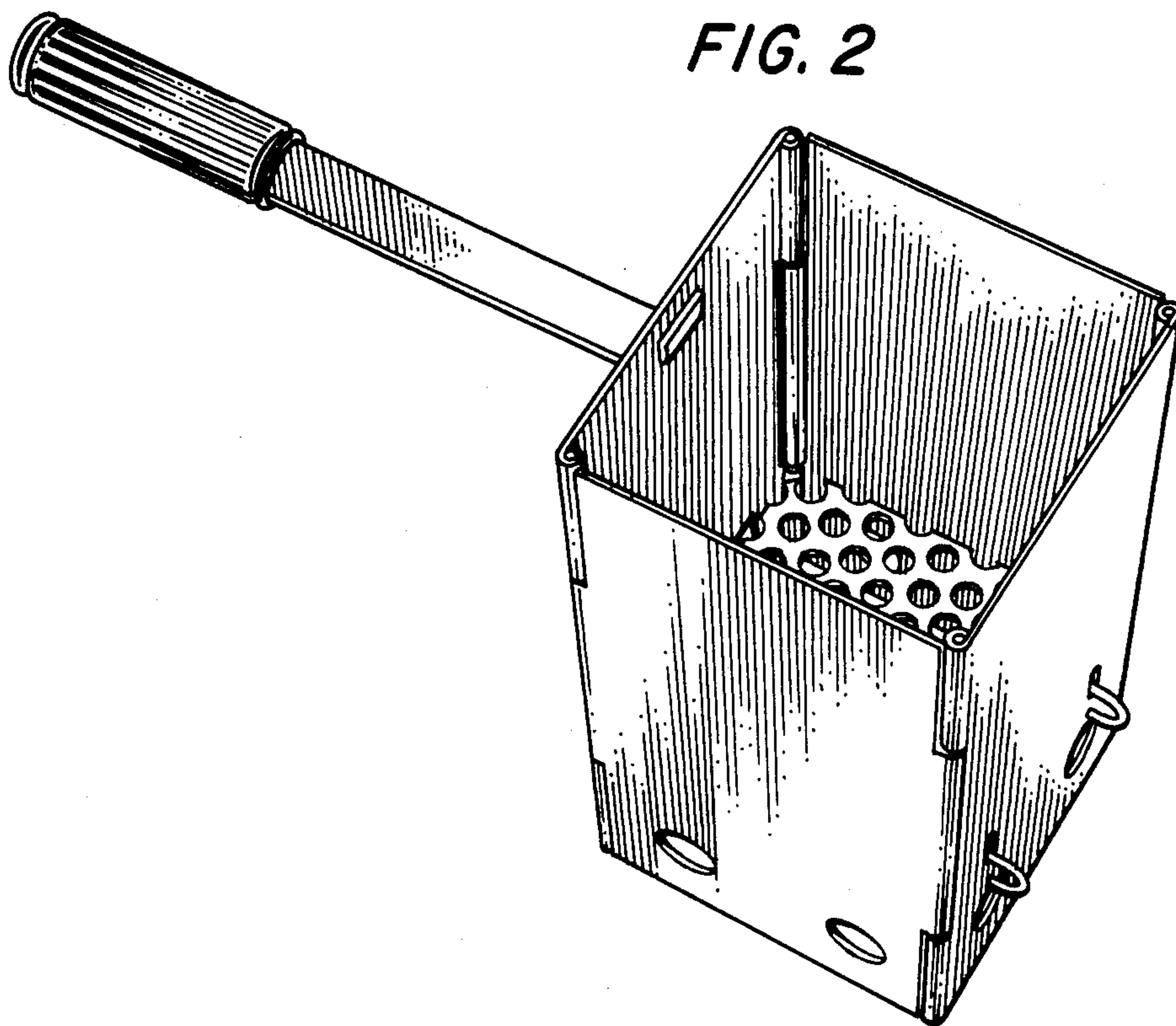
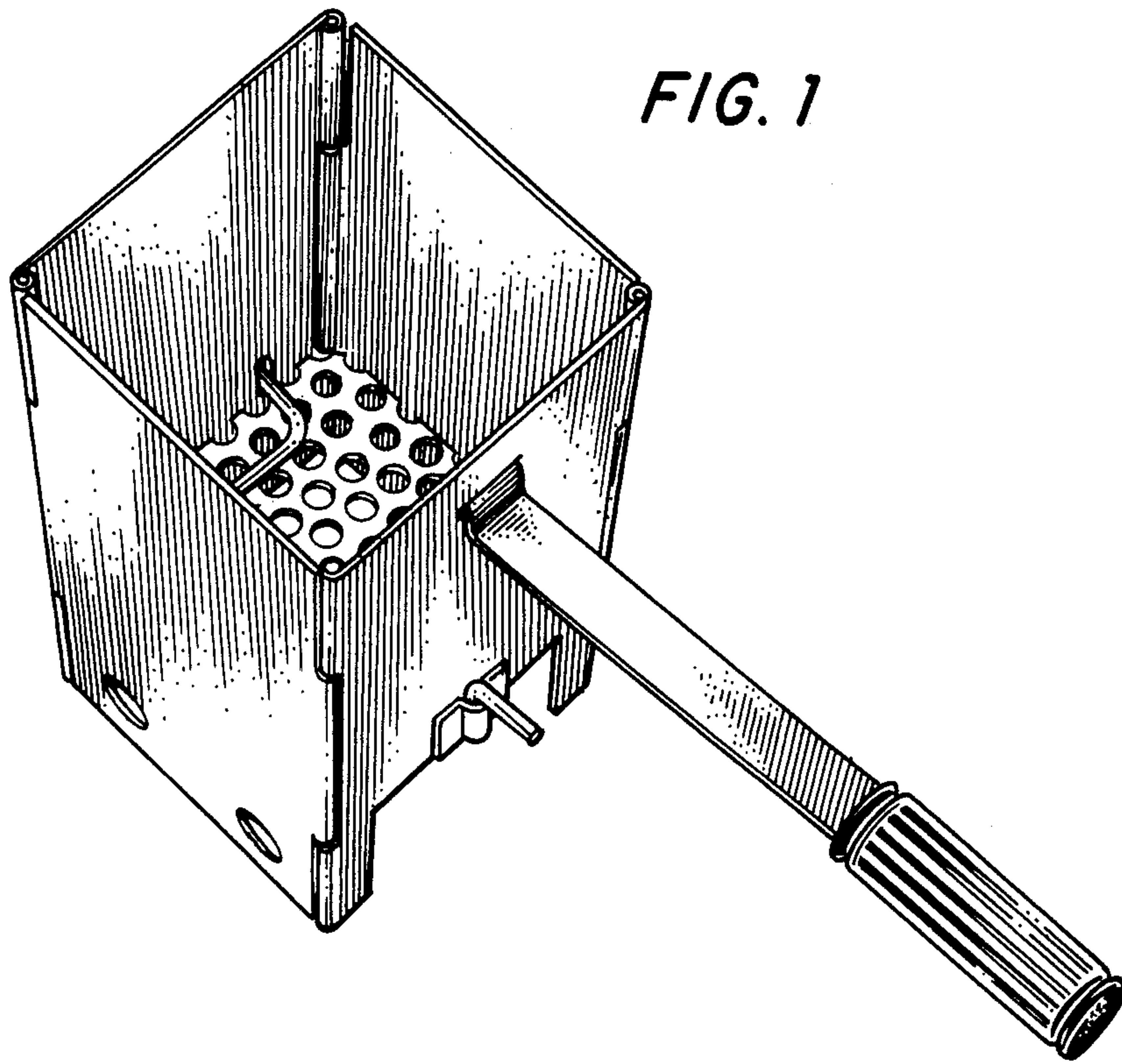


FIG. 3

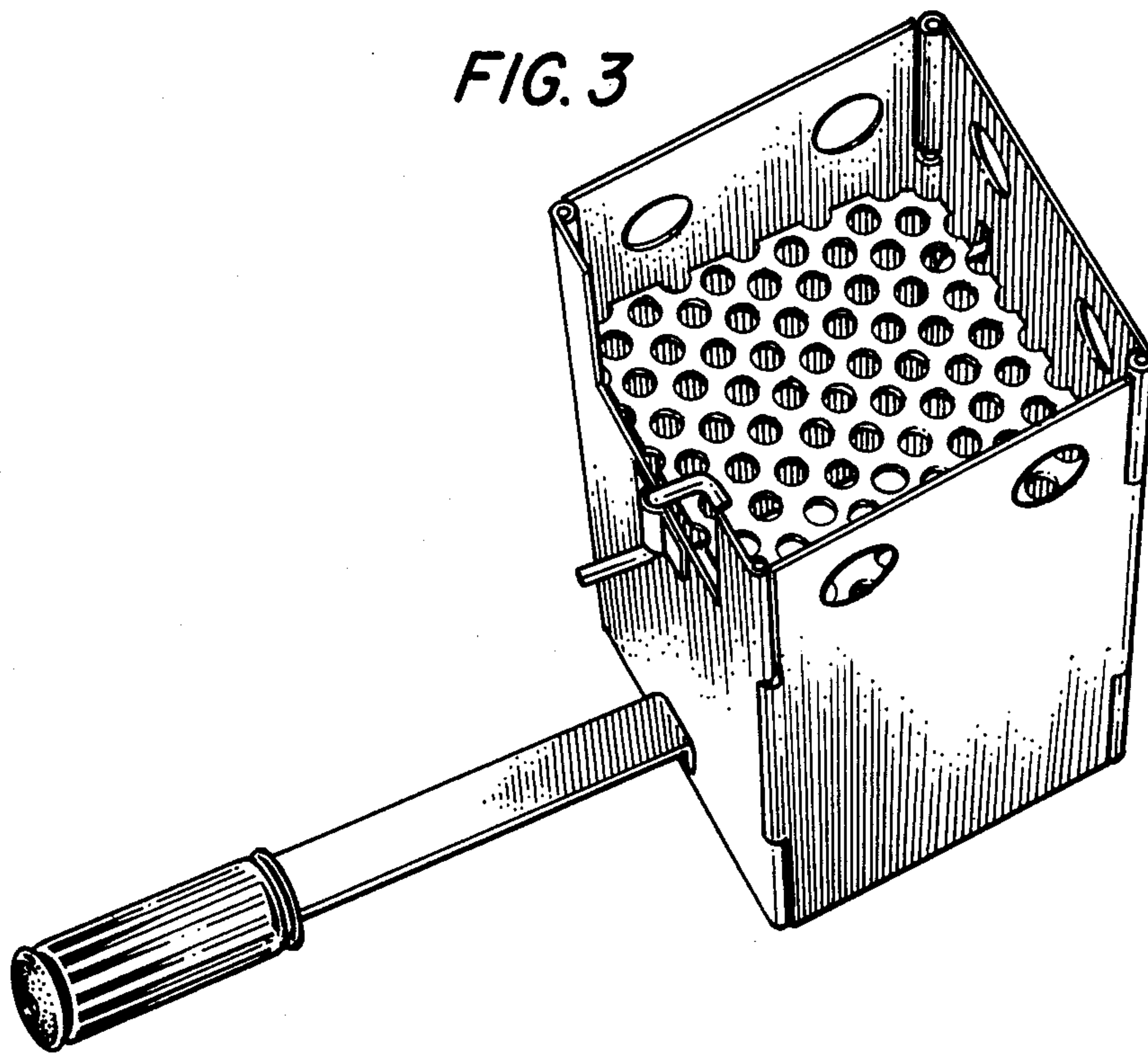


FIG. 4

