

[54] COMBINED FAUCET AND HAND SHOWER

[75] Inventor: Gustav Saether, Leksvik, Norway

[73] Assignee: Lyng Industrier A-S Leksvikarmatur, Leksvik, Norway

[**] Term: 14 Years

[21] Appl. No.: 632,163

[22] Filed: Nov. 14, 1975

[30] Foreign Application Priority Data

July 24, 1975 Norway 7556826

[51] Int. Cl. D23-01

[52] U.S. Cl. D23/26

[58] Field of Search D23/23-35; 239/273, 282, 283

[56]

References Cited

U.S. PATENT DOCUMENTS

D. 92,687	7/1934	Tjaarda	D23/26
D. 179,257	11/1956	Moore	D23/26
D. 220,624	5/1971	Burban	D23/26
D. 224,402	7/1972	Jenner	D23/25
D. 226,660	4/1973	Menderhall	D23/25
D. 237,708	11/1975	Grohe	D23/35

Primary Examiner—James R. Largen
Attorney, Agent, or Firm—V. M. Creedon

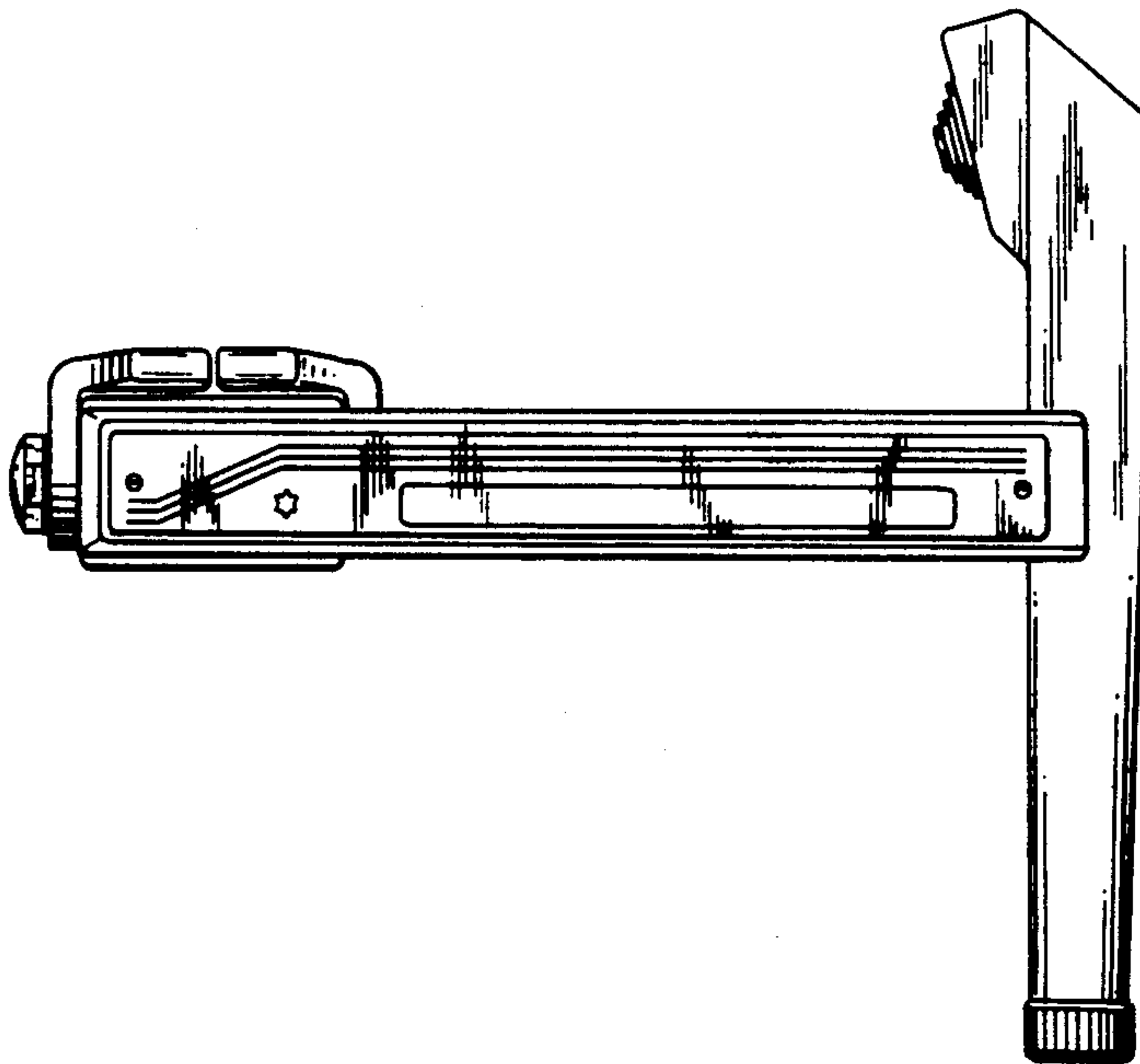
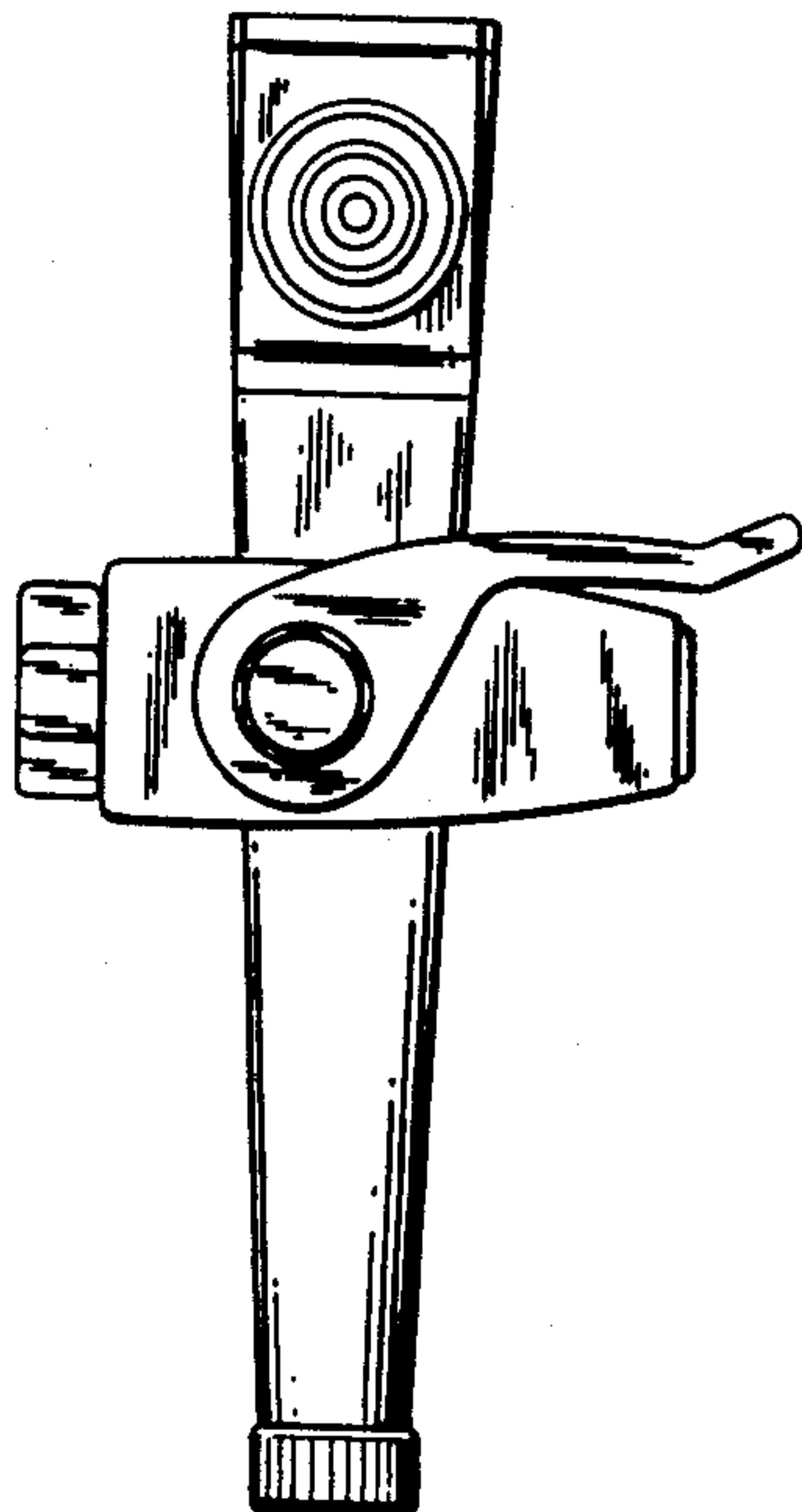
[57]

CLAIM

The ornamental design for a combined faucet and hand shower, as shown.

DESCRIPTION

FIG. 1 is a left side elevational view of a combined faucet and hand shower showing my new design; FIG. 2 is a front elevational view thereof; FIG. 3 is a top plan view thereof; FIG. 4 is a rear elevational view thereof; and FIG. 5 is a bottom plan view thereof.



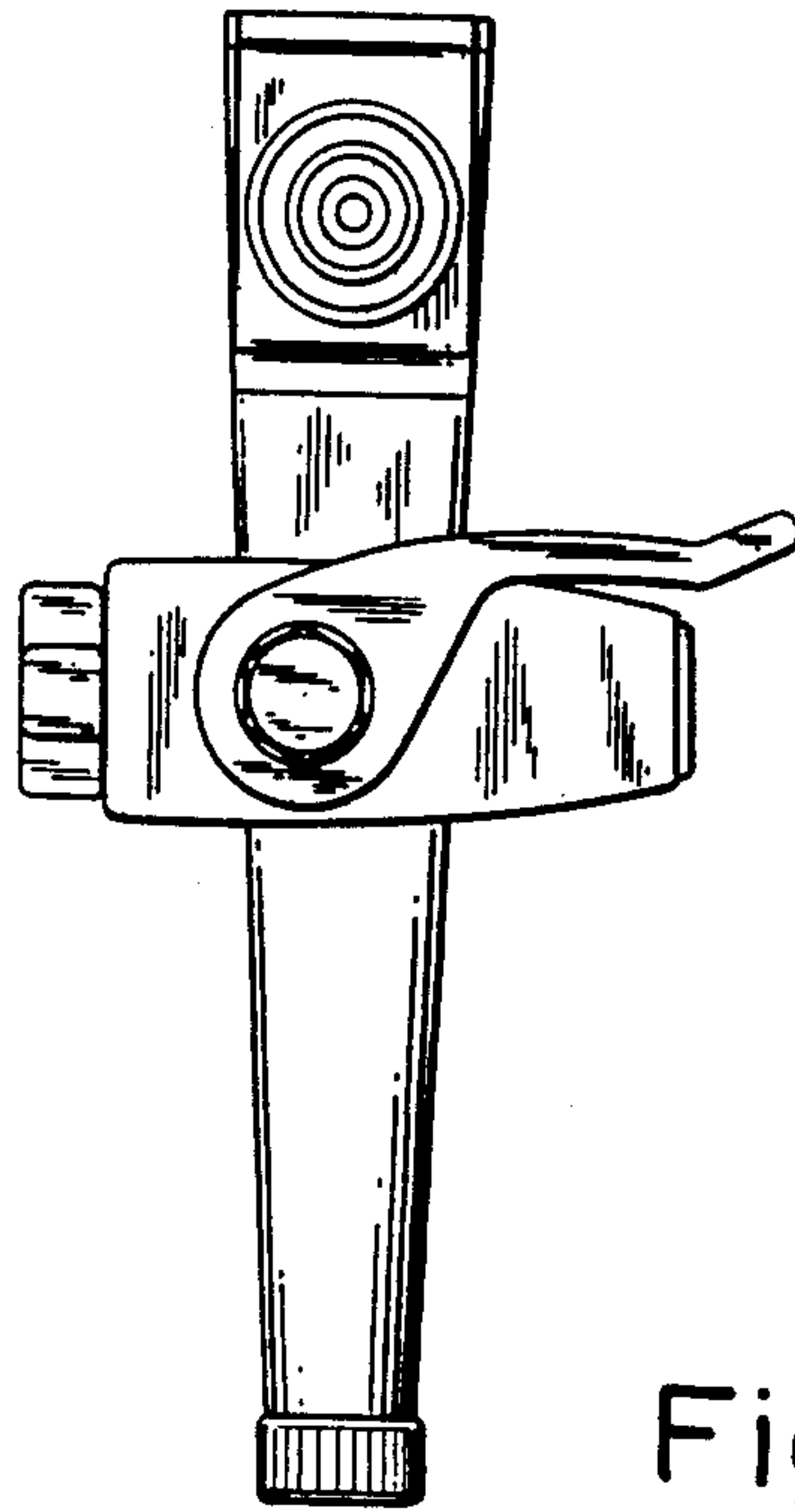


Fig. 1

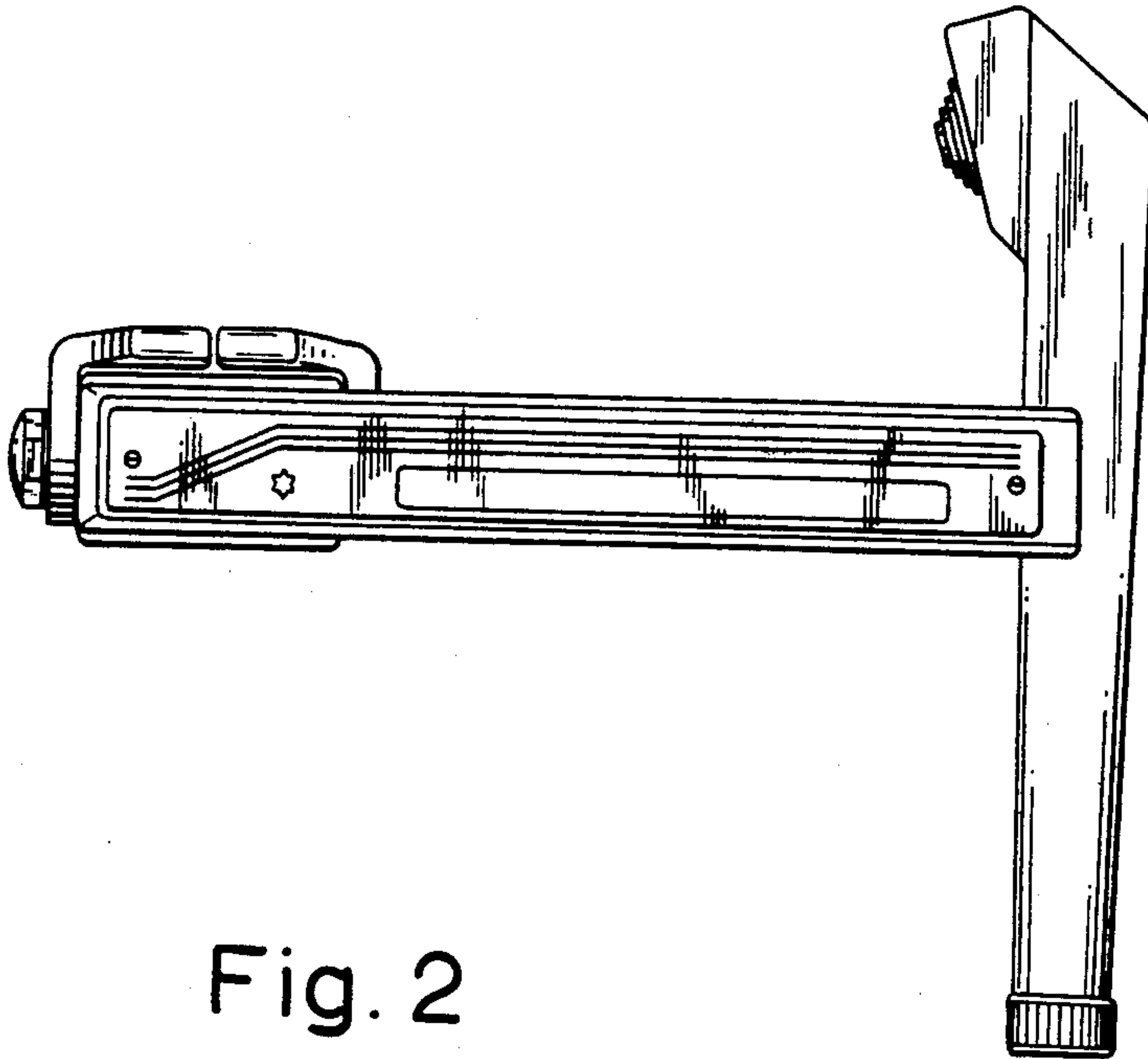


Fig. 2

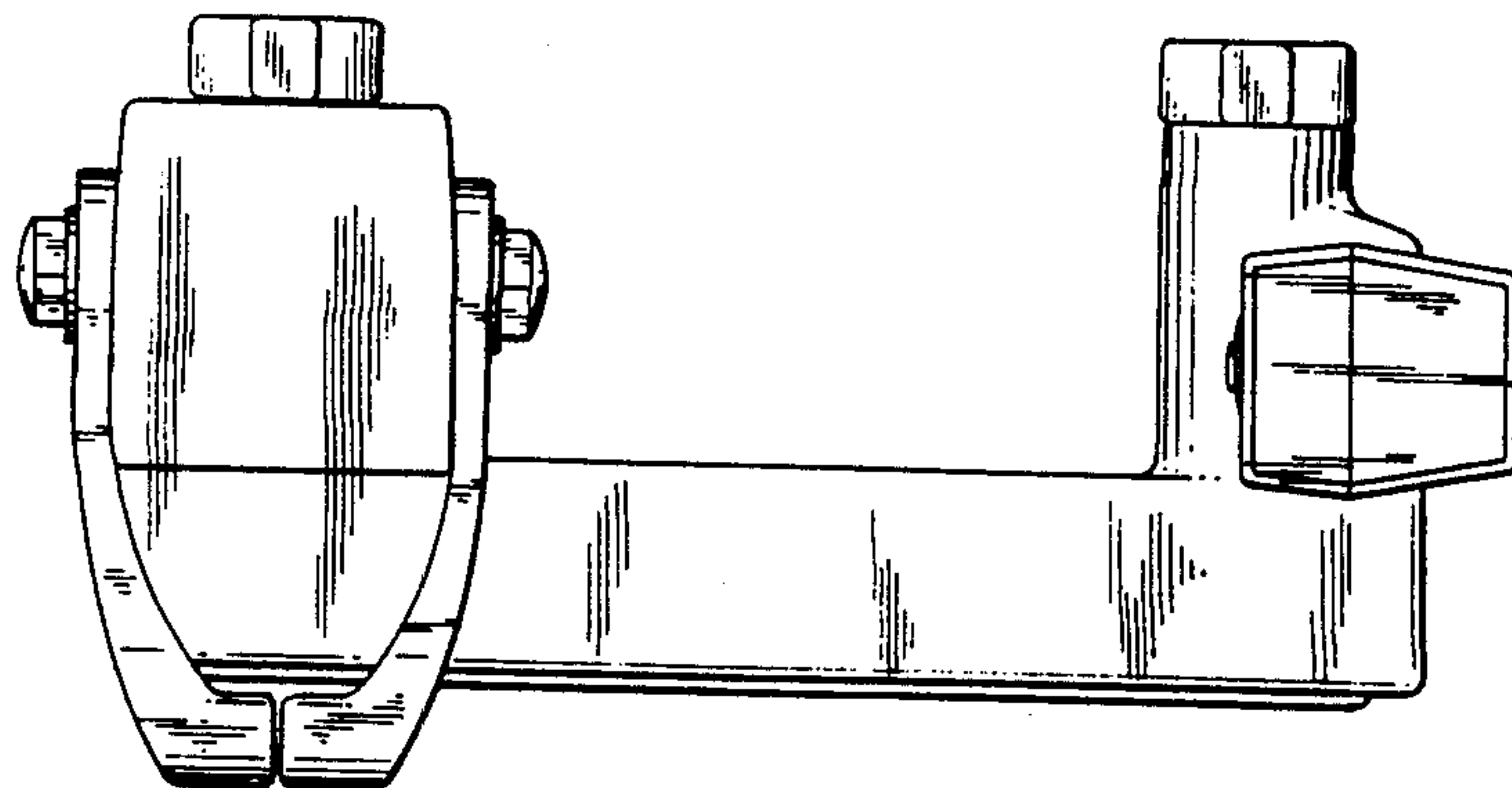


Fig. 3

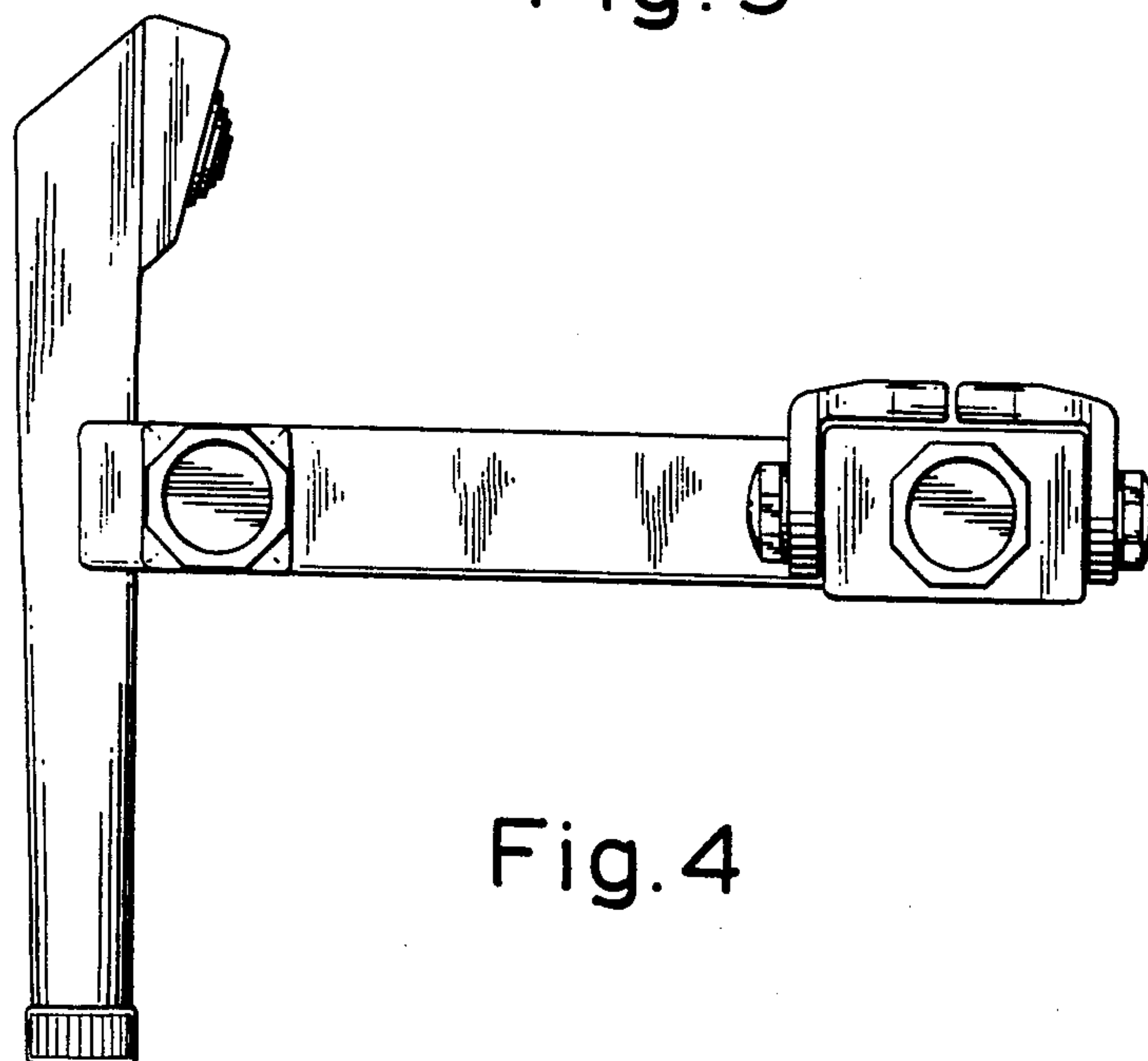


Fig. 4

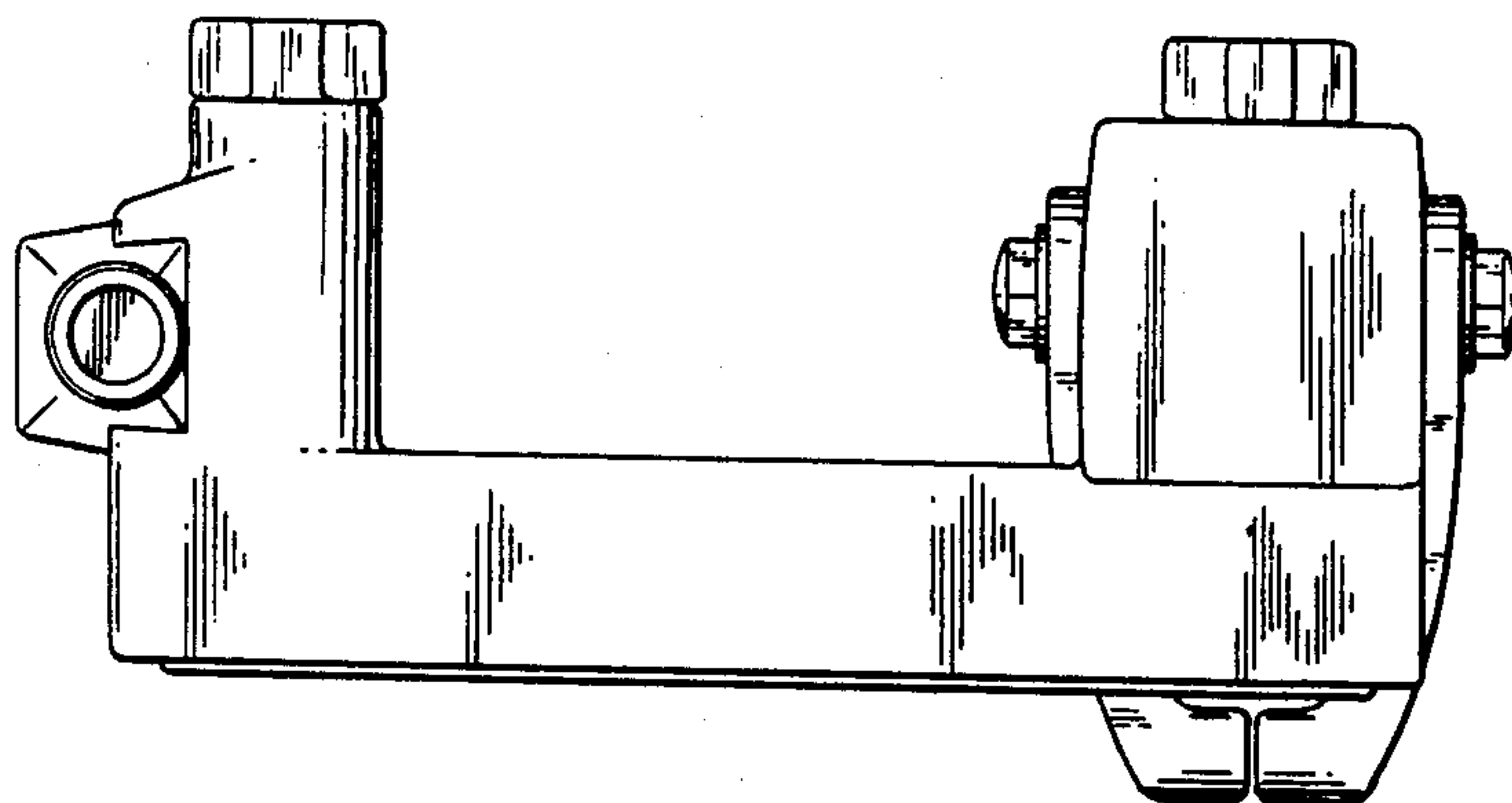


Fig. 5