

[54] FAUCET

[75] Inventor: Gustav Saether, Leksvik, Norway

[73] Assignee: Lyng Industrier A-S Leksvikarmatur,  
Leksvik, Norway

[\*\*] Term: 3½ Years

[21] Appl. No.: 631,602

[22] Filed: Nov. 13, 1975

[30] Foreign Application Priority Data  
May 16, 1975 Norway ..... 7556657

[51] Int. Cl. .... D23-0

[52] U.S. Cl. .... D23/26

[58] Field of Search ..... D23/23-35;  
239/273, 282

[56] References Cited

U.S. PATENT DOCUMENTS

D. 92,687	7/1934	Tjaurda .....	D23/26
D. 179,257	11/1956	Moore .....	D23/26
D. 220,624	5/1971	Urban .....	D23/23
D. 224,402	7/1972	Jenner .....	D23/25
D. 226,600	4/1973	Mendenhall et al. ....	D23/25

Primary Examiner—James R. Largen  
Attorney, Agent, or Firm—V. M. Creedon

[57] CLAIM

The ornamental design for a faucet, as shown and described.

DESCRIPTION

FIG. 1 is a side elevational view of a faucet showing my new design; the opposite side being a mirror image of the side shown;  
FIG. 2 is a front elevational view thereof;  
FIG. 3 is a top plan view thereof;  
FIG. 4 is a rear elevational view thereof; and  
FIG. 5 is a bottom plan view thereof.

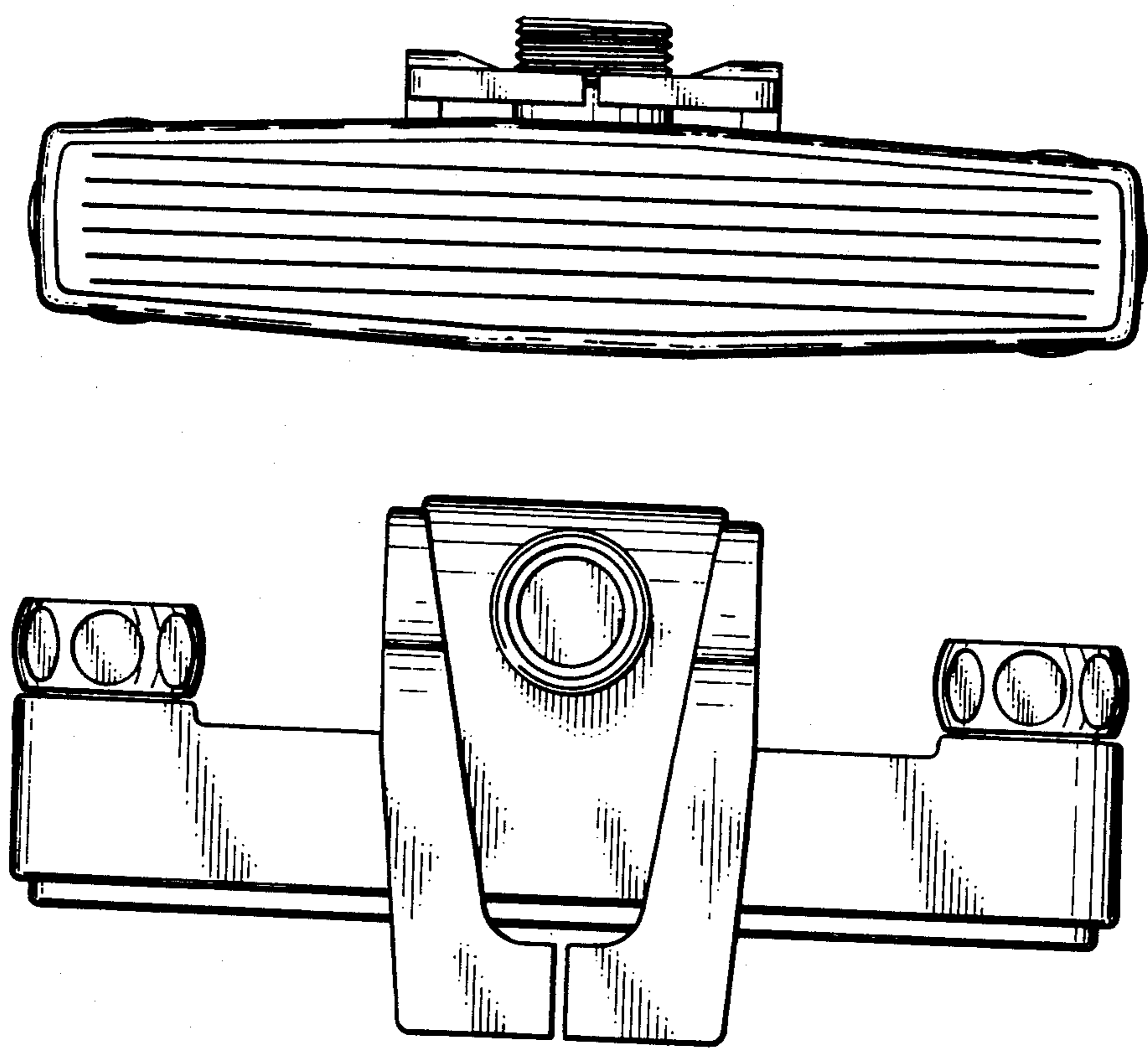


Fig. 1

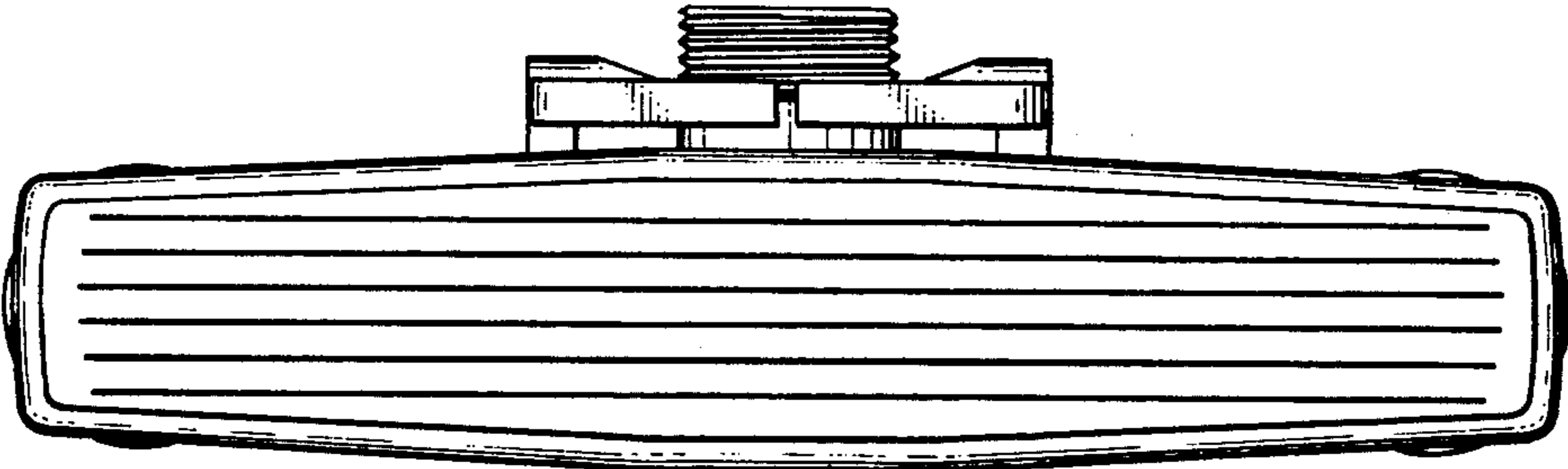
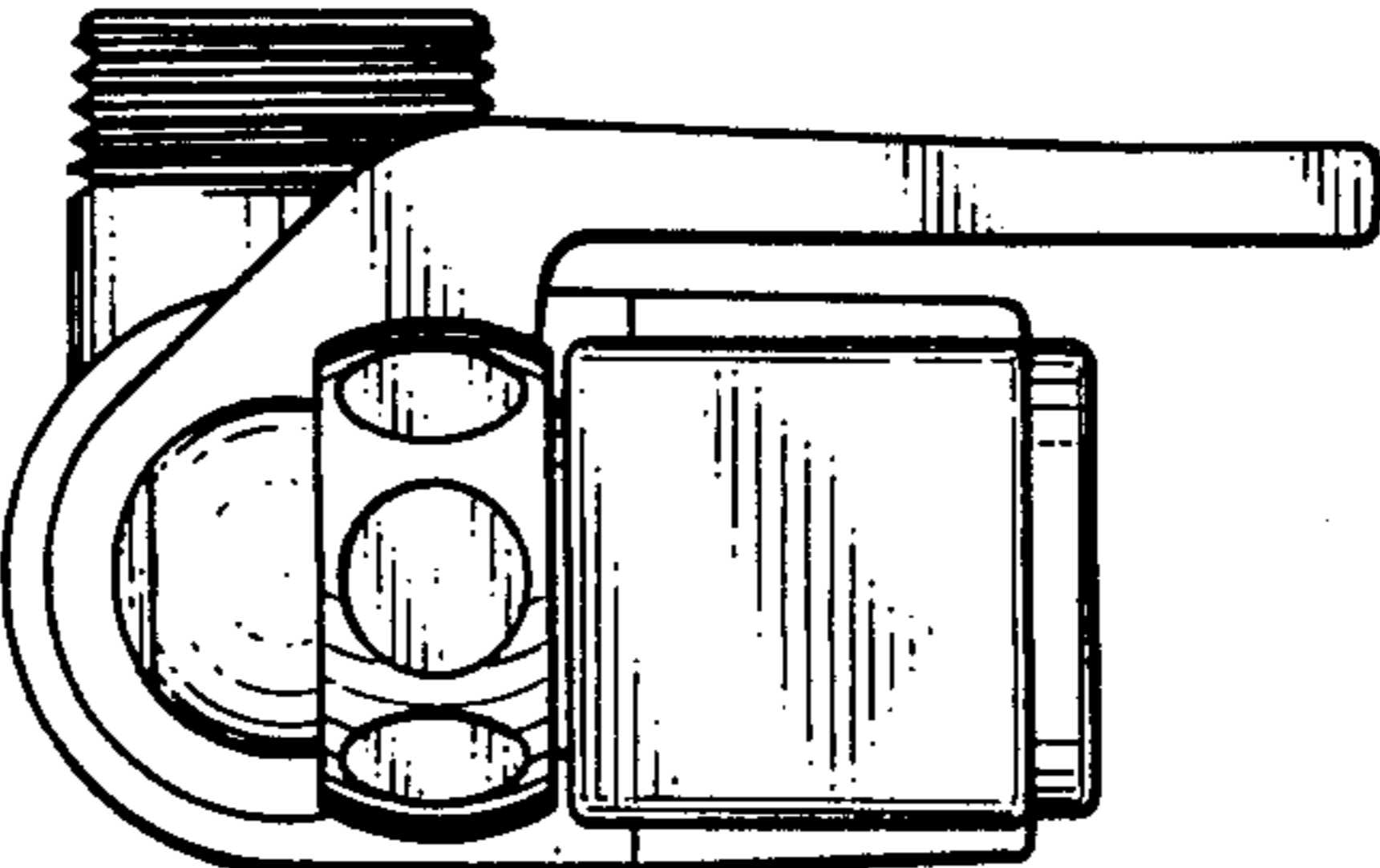


Fig. 2

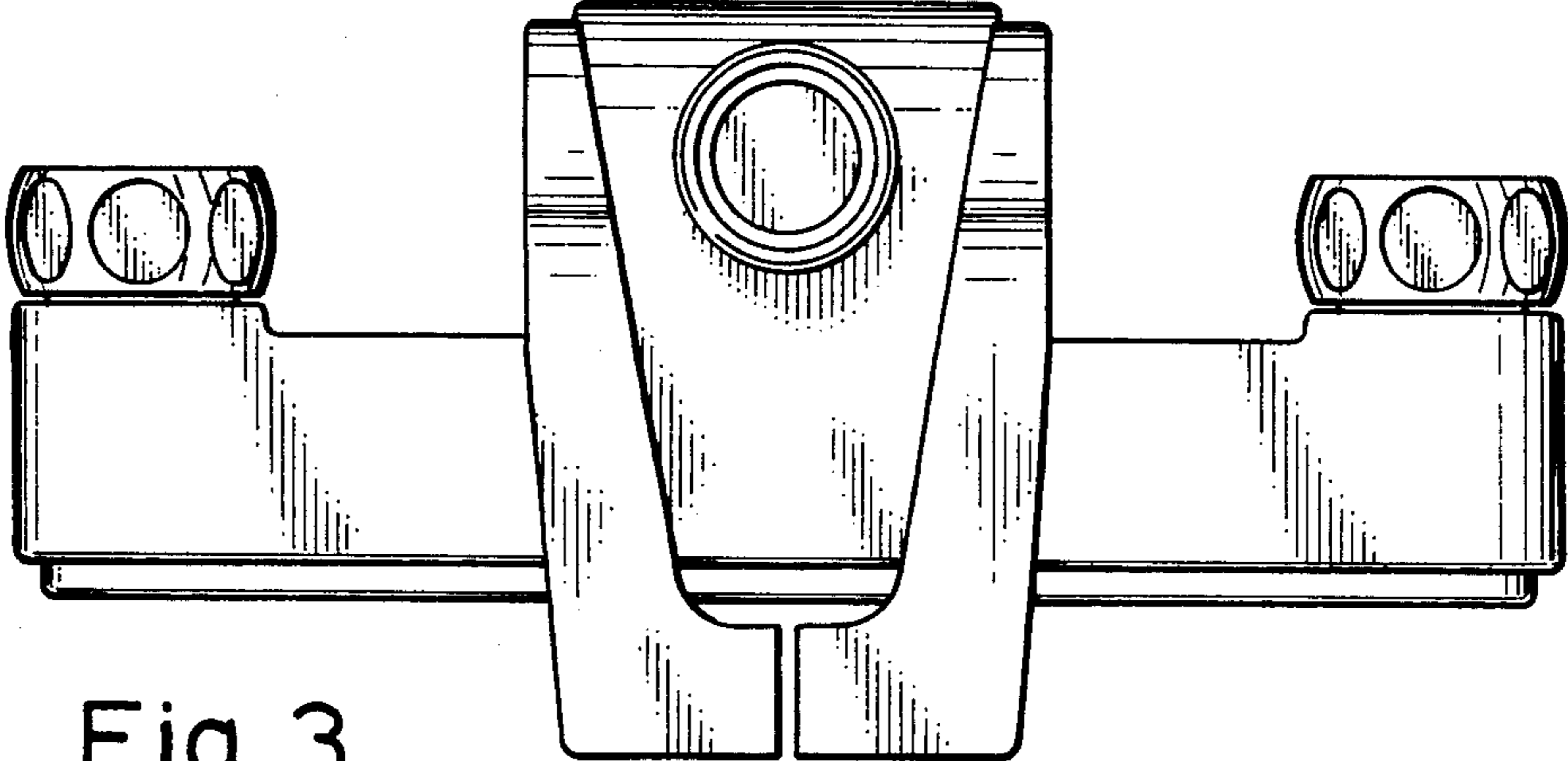


Fig. 3

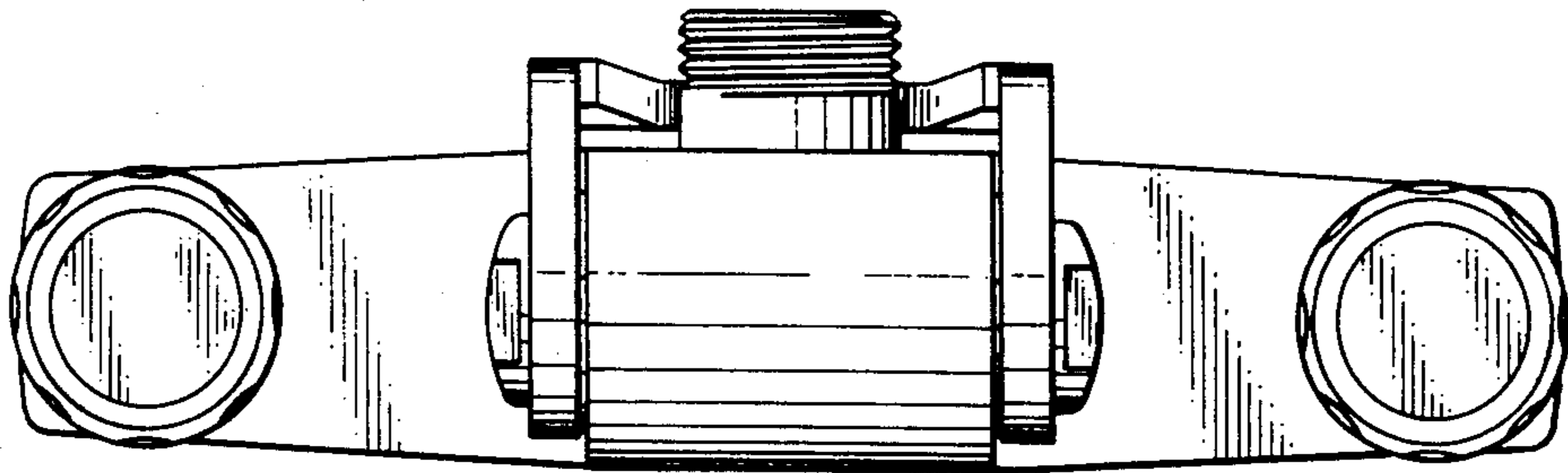


Fig. 4

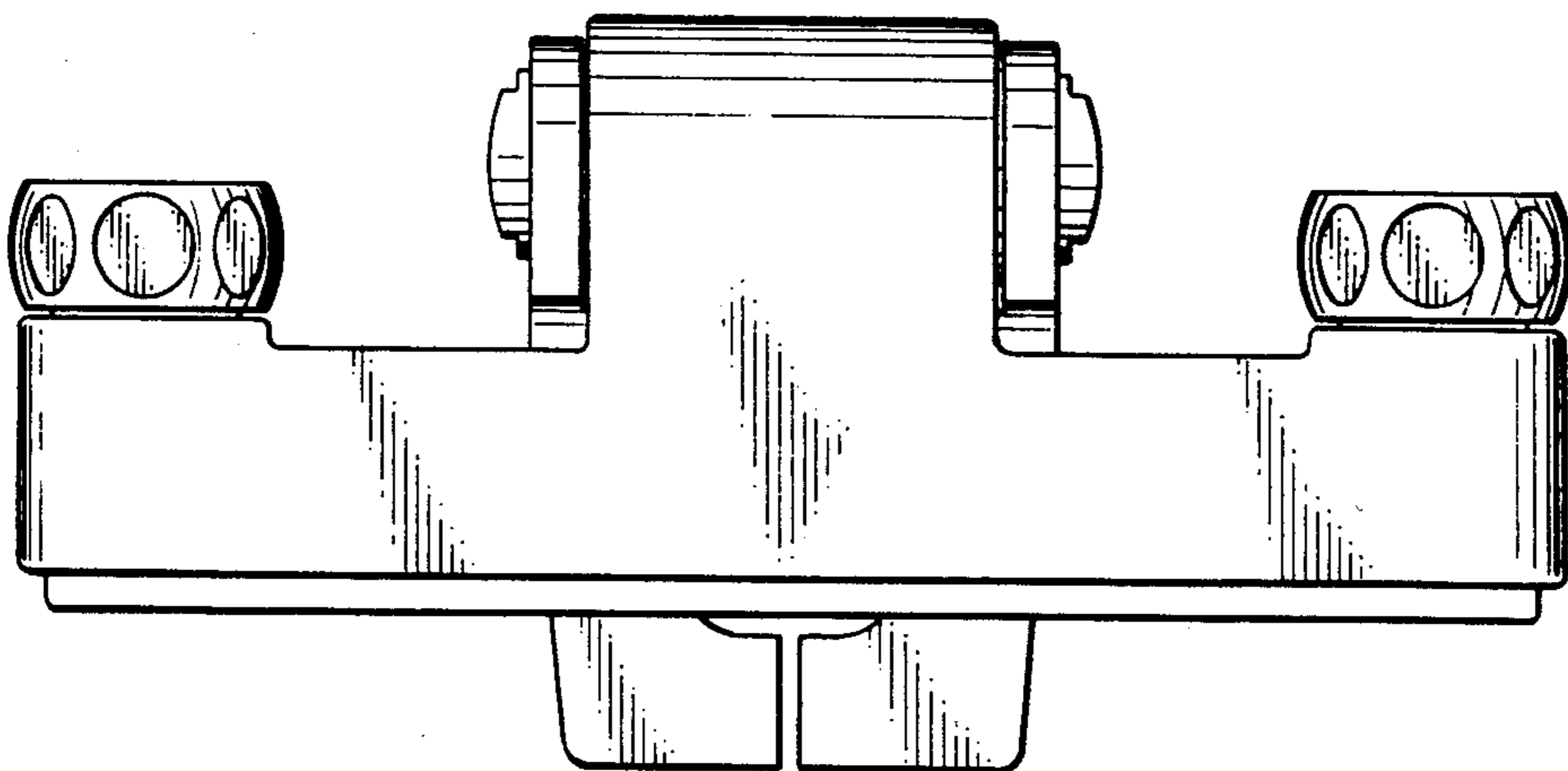


Fig. 5