

[54] FAUCET

[75] Inventor: Gustav Saether, Leksvik, Norway

[73] Assignee: Lyng Industrier A-S Leksvikarmatur, Leksvik, Norway

[**] Term: 14 Years

[21] Appl. No.: 631,465

[22] Filed: Nov. 12, 1975

[30] Foreign Application Priority Data

May 16, 1975 Norway 7556653

[51] Int. Cl. D23-01

[52] U.S. Cl. D23/25

[58] Field of Search D23/23-35; 239/273, 282, 283

[56] References Cited

U.S. PATENT DOCUMENTS

D. 121,280	7/1940	Keller	D23/25
D. 121,281	7/1940	Keller	D23/25
D. 159,051	6/1950	Darr	D23/25
D. 226,660	4/1973	Mendenhall	D23/25

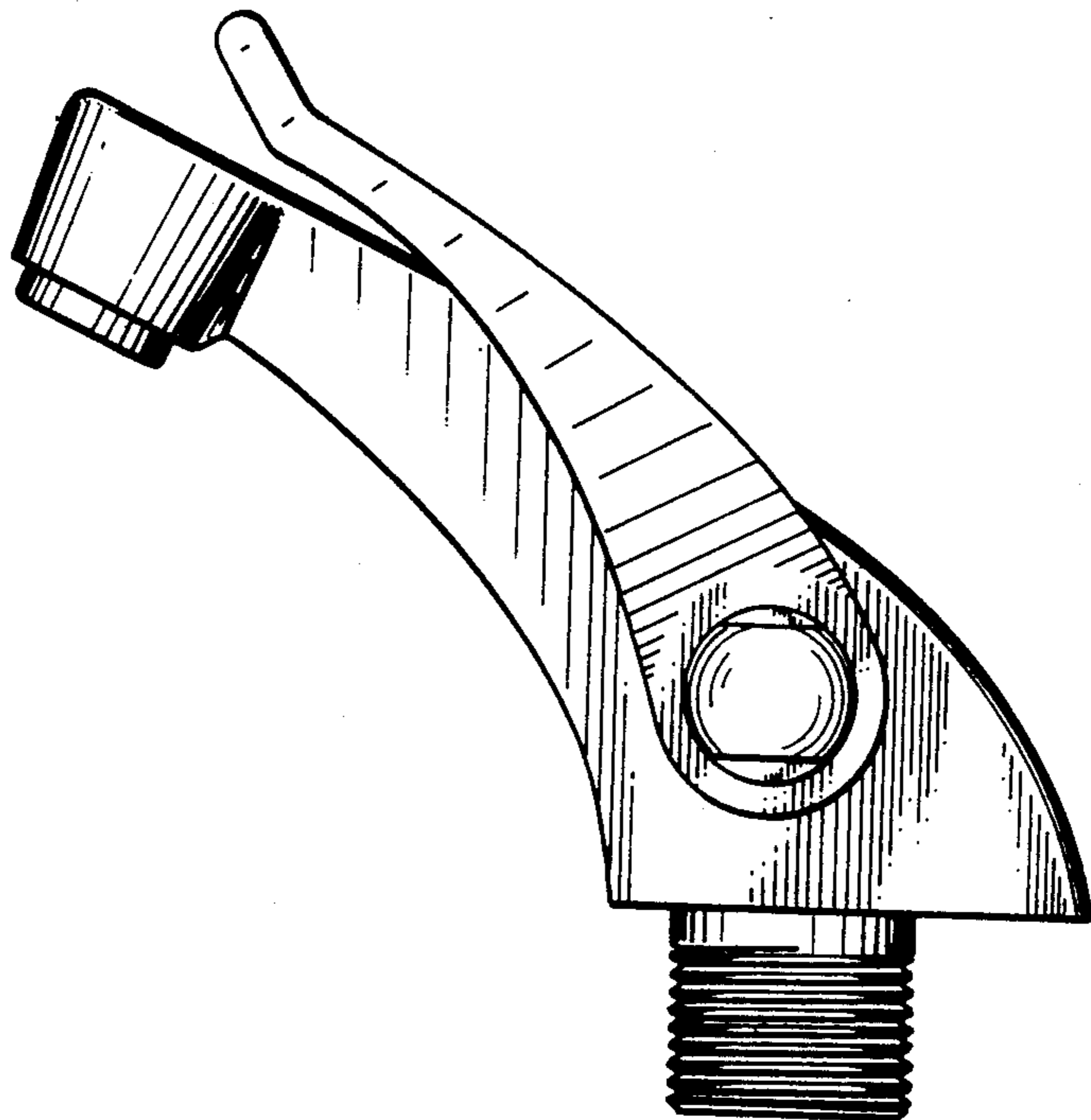
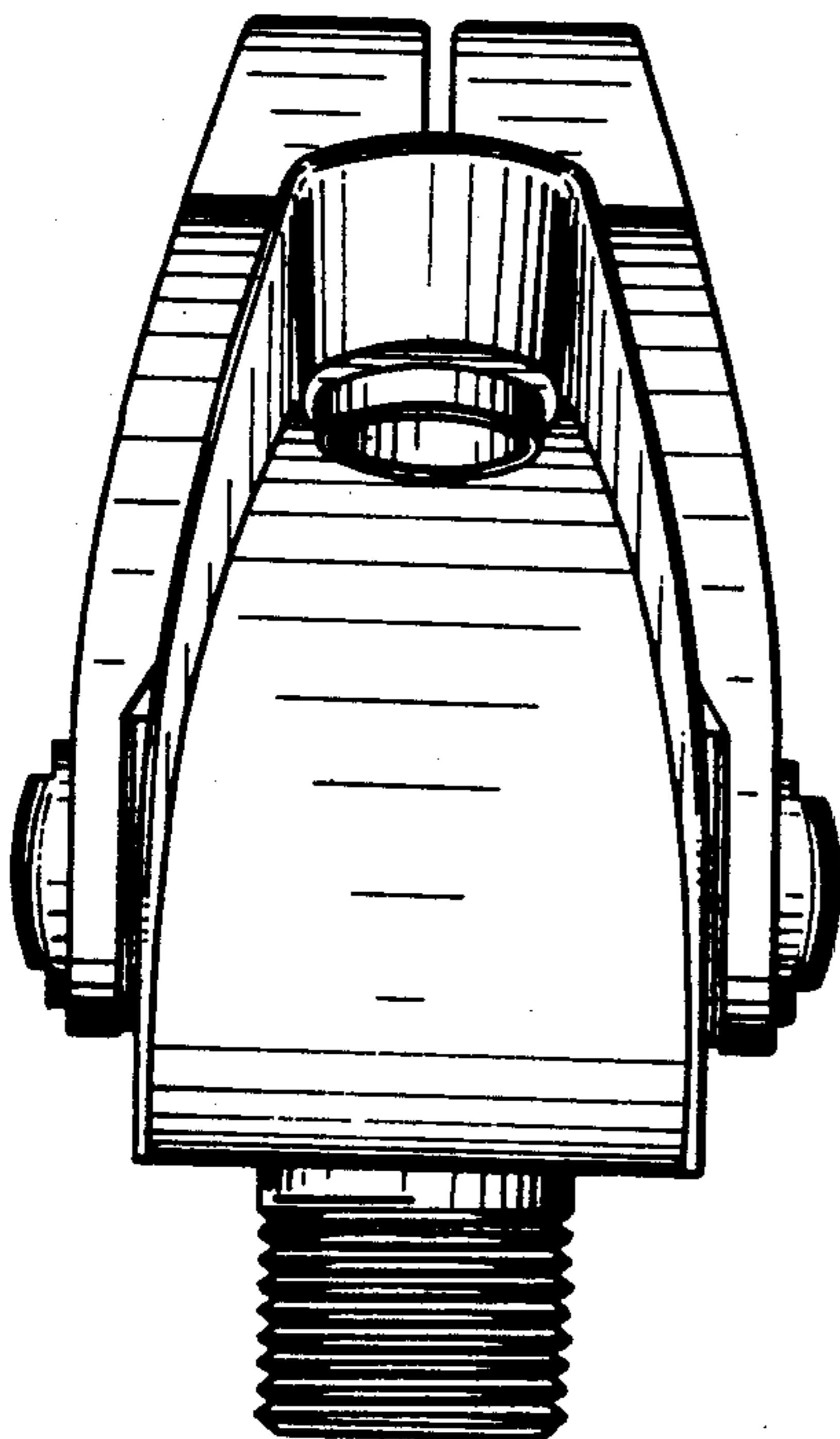
Primary Examiner—James R. Largen
Attorney, Agent, or Firm—V. M. Creedon

[57] CLAIM

The ornamental design for a faucet, as shown and described.

DESCRIPTION

FIG. 1 is a side elevational view of a faucet showing my new design, the opposite side being a mirror image of the side shown;
FIG. 2 is a front elevational view thereof;
FIG. 3 is a top plan view thereof;
FIG. 4 is a rear elevational view thereof; and
FIG. 5 is a bottom plan view thereof.



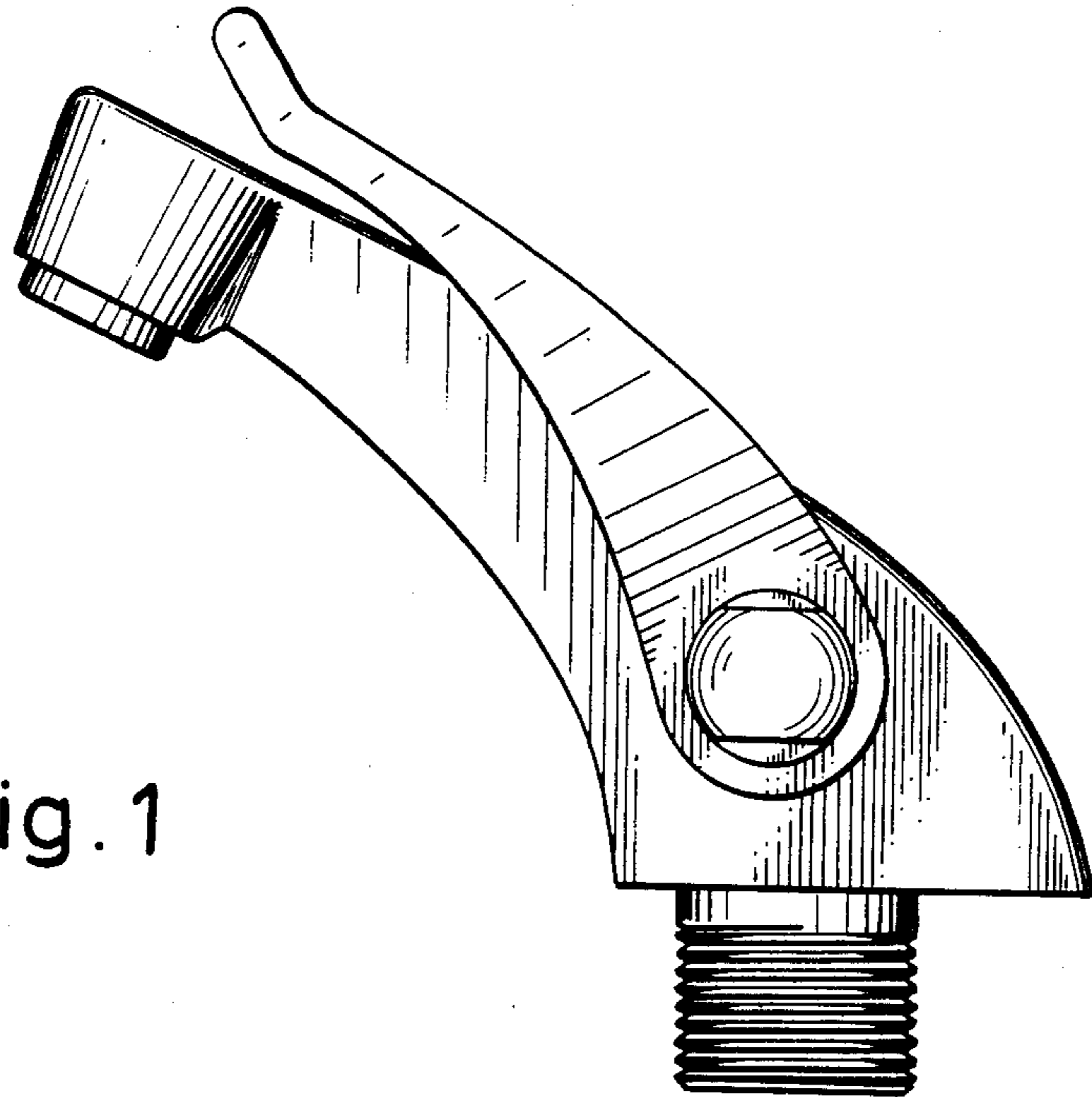


Fig. 1

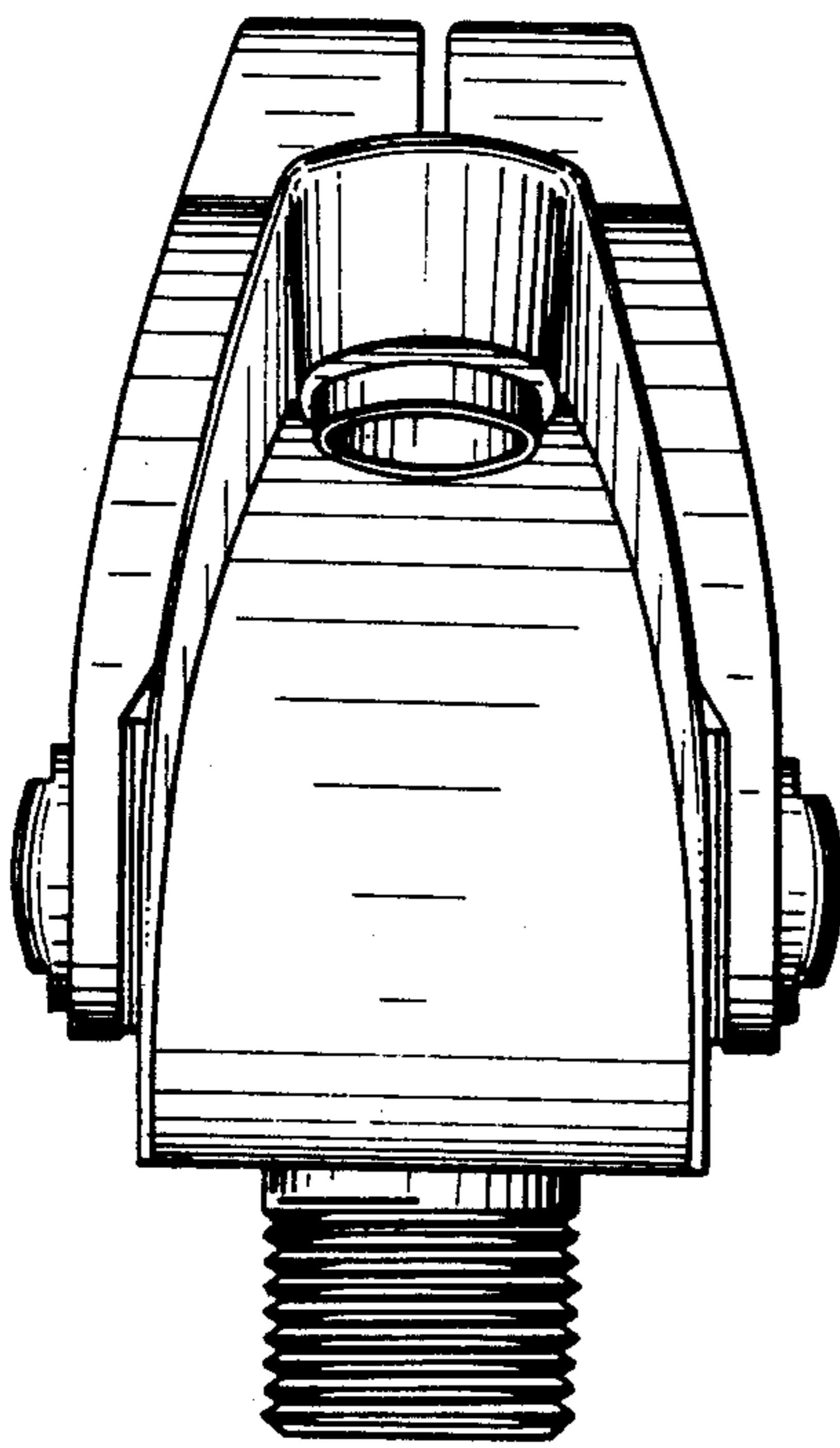


Fig. 2

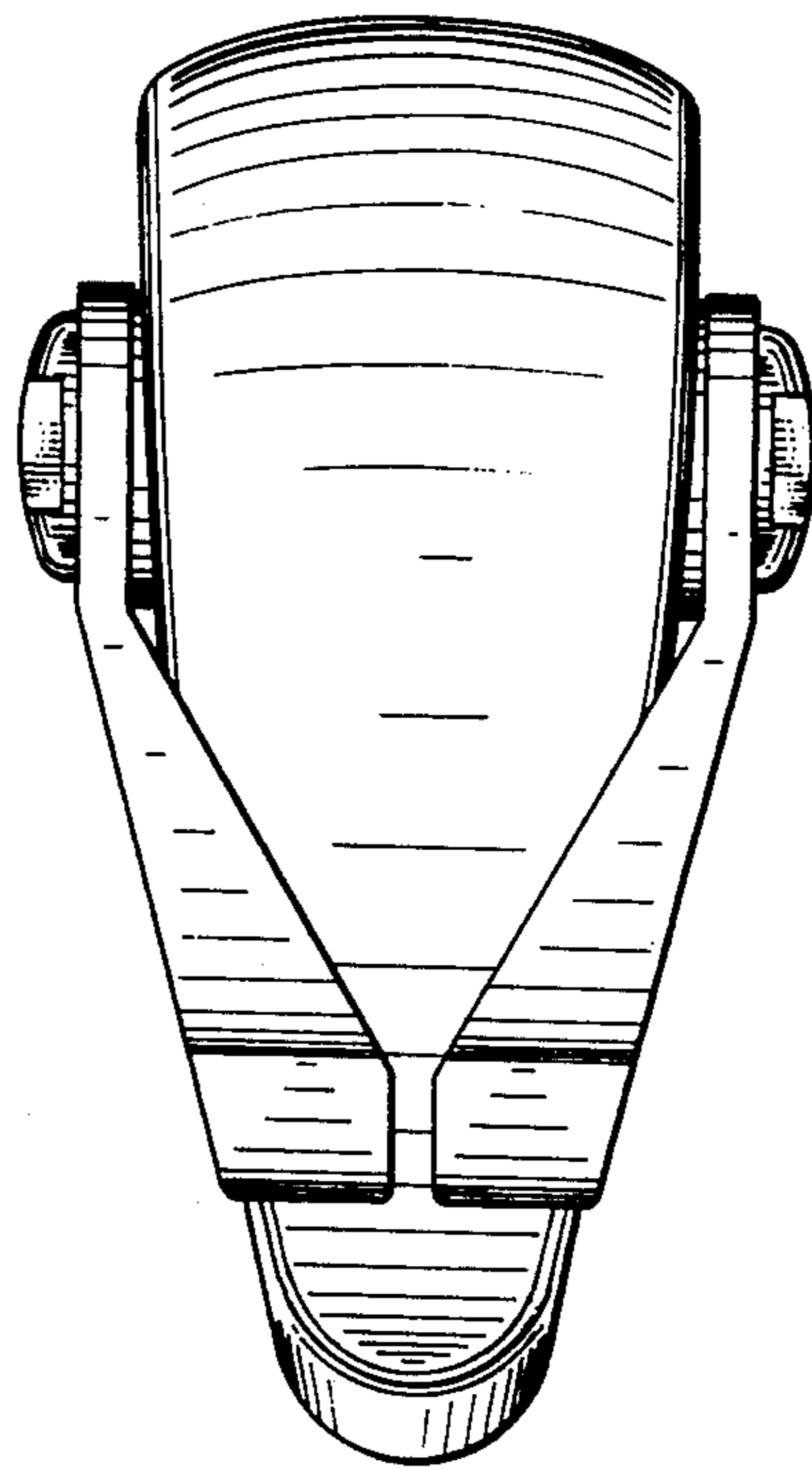


Fig. 3

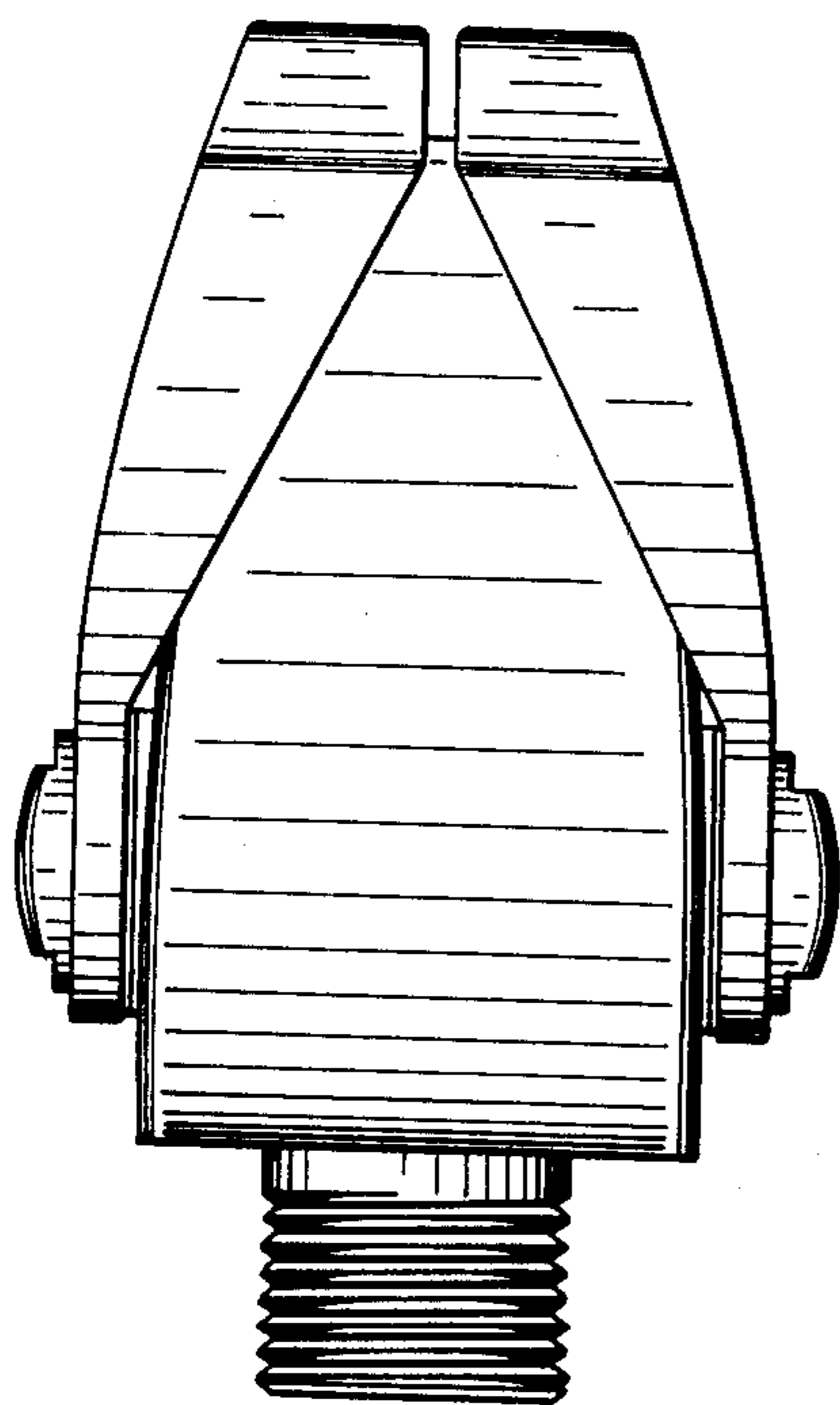


Fig. 4

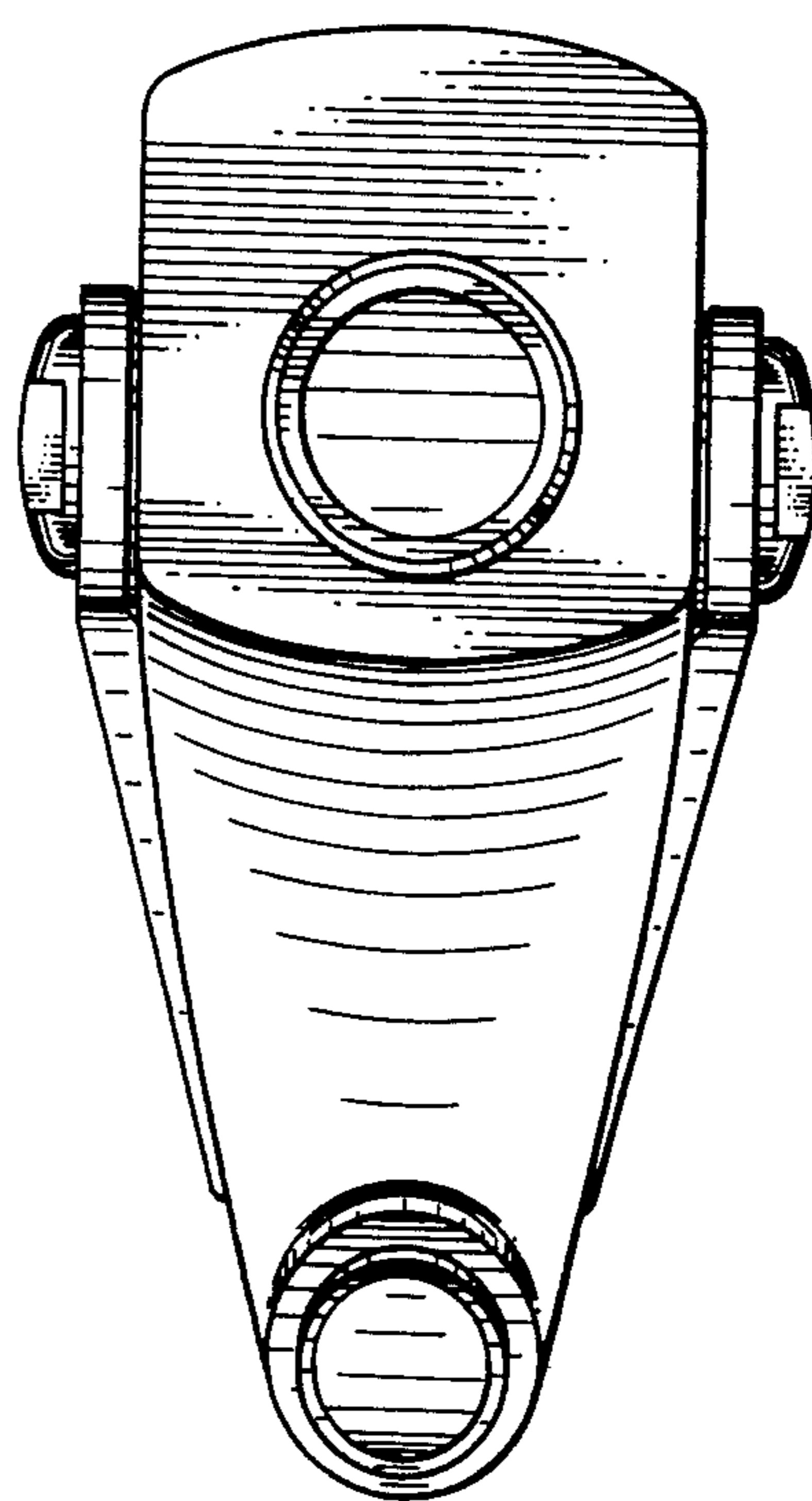


Fig. 5