

[54] ZOOM OR FOCUS CONTROL KNOB FOR BINOCULARS

[76] Inventor: James Gerdom, 9200 Cody, Overland Park, Kans. 66214

[**] Term: 14 Years

[21] Appl. No.: 704,188

[22] Filed: July 12, 1976

[51] Int. Cl. D16-06

[52] U.S. Cl. D16/59

[58] Field of Search D16/59; 350/44, 36, 350/76, 51; D8/140; D34/15 GG

[56] References Cited

U.S. PATENT DOCUMENTS

- D. 184,881 4/1959 Maguire D16/59
- D. 240,268 6/1976 Huckenbeck D16/59

D. 241,166 6/1976 Huckenbeck D16/59

Primary Examiner—Bernard Ansher
Attorney, Agent, or Firm—Claude A. Fishburn

[57] CLAIM

The ornamental design for a zoom or focus control knob for binoculars, as shown and described.

DESCRIPTION

FIG. 1 is a top plan view of a zoom or focus control knob for binoculars showing my design.

FIG. 2 is an elevational view as seen in the location of line 2—2 of FIG. 1.

FIG. 3 is an elevational view as seen in line 3—3 of FIG. 1.

FIG. 4 is a perspective view of the control knob, the broken line representing the binoculars are shown for illustration purposes only.

FIG. 5 is a rear elevational view thereof as seen from the line 5—5, FIG. 3.

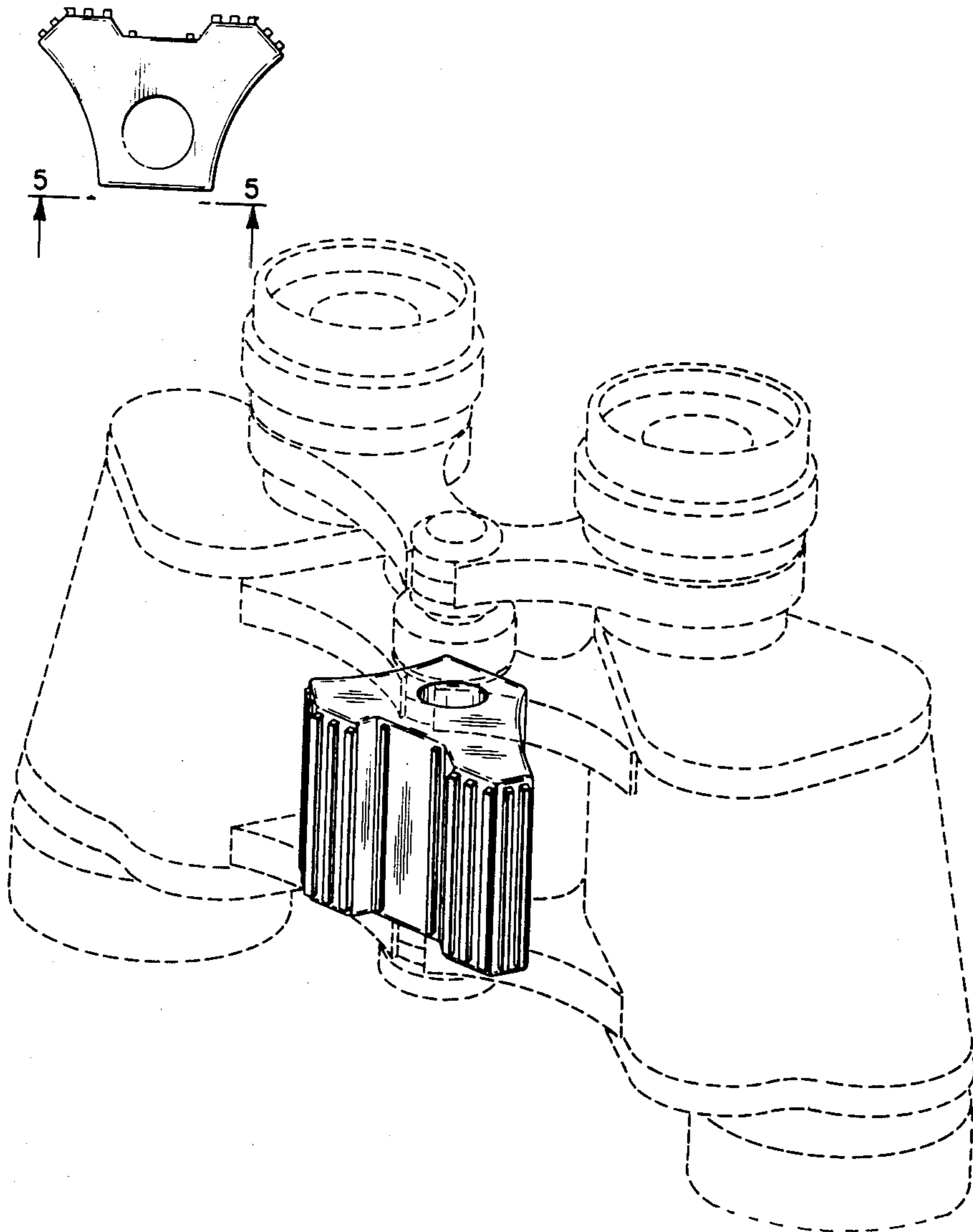


Fig. 1.

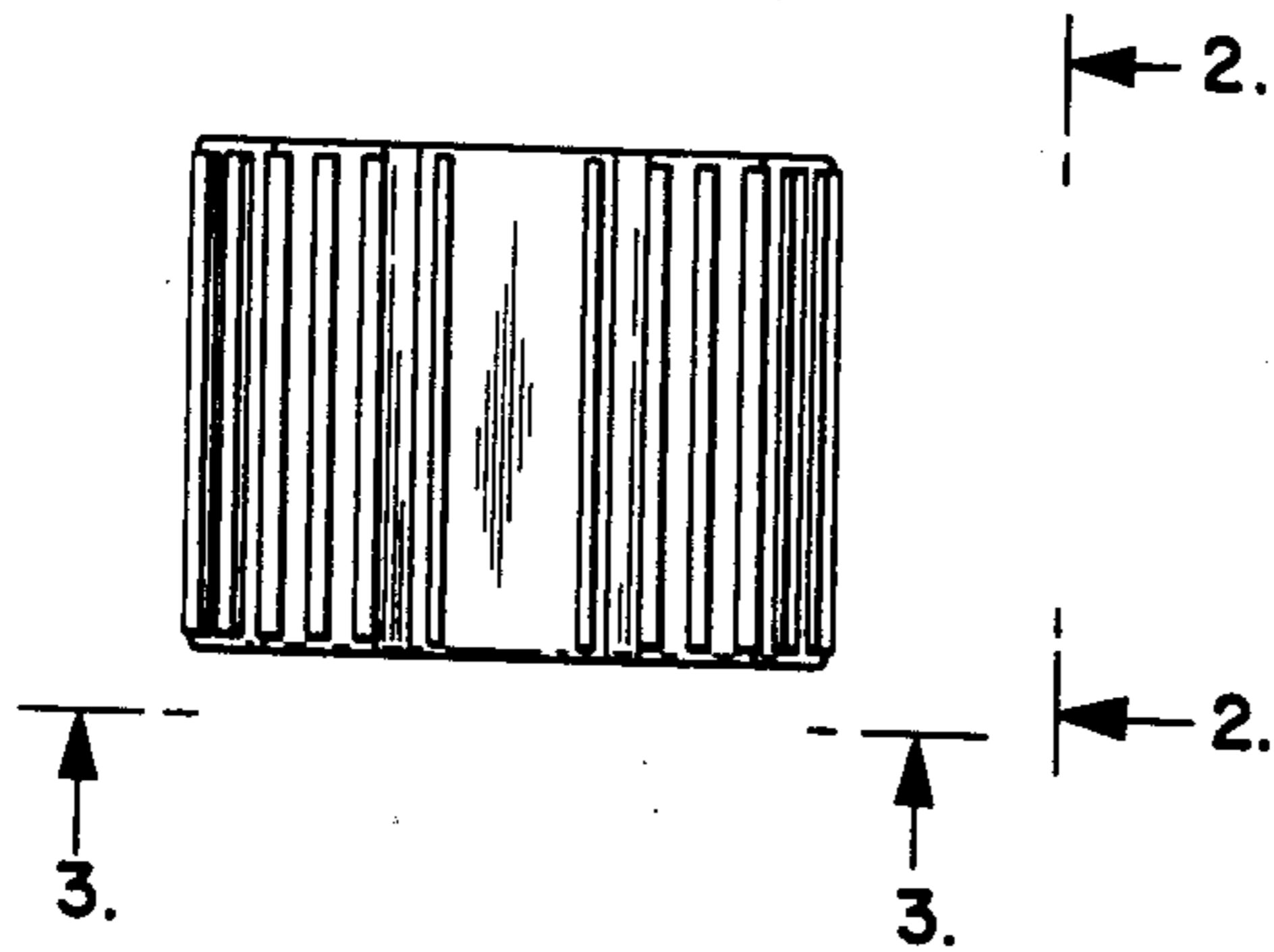


Fig. 2.

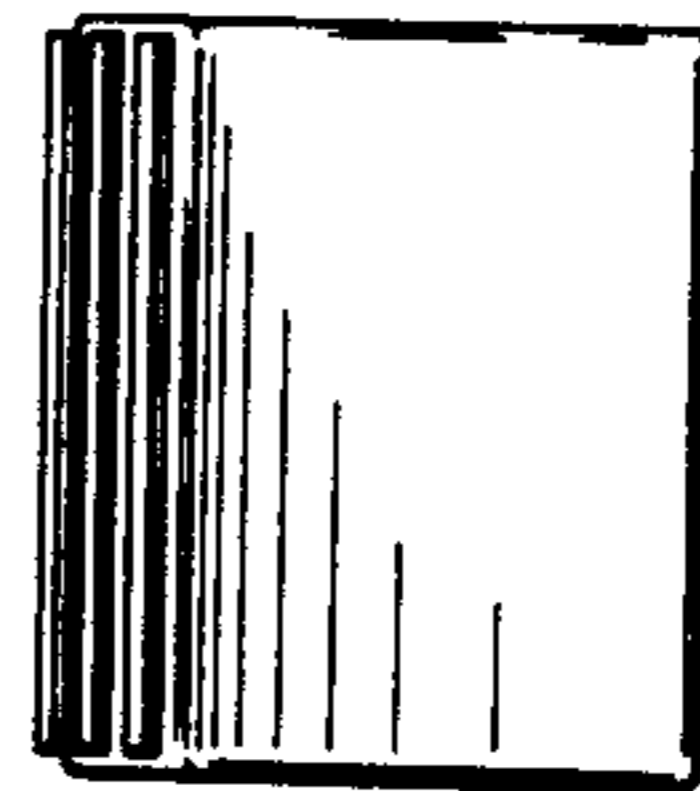


Fig. 3.

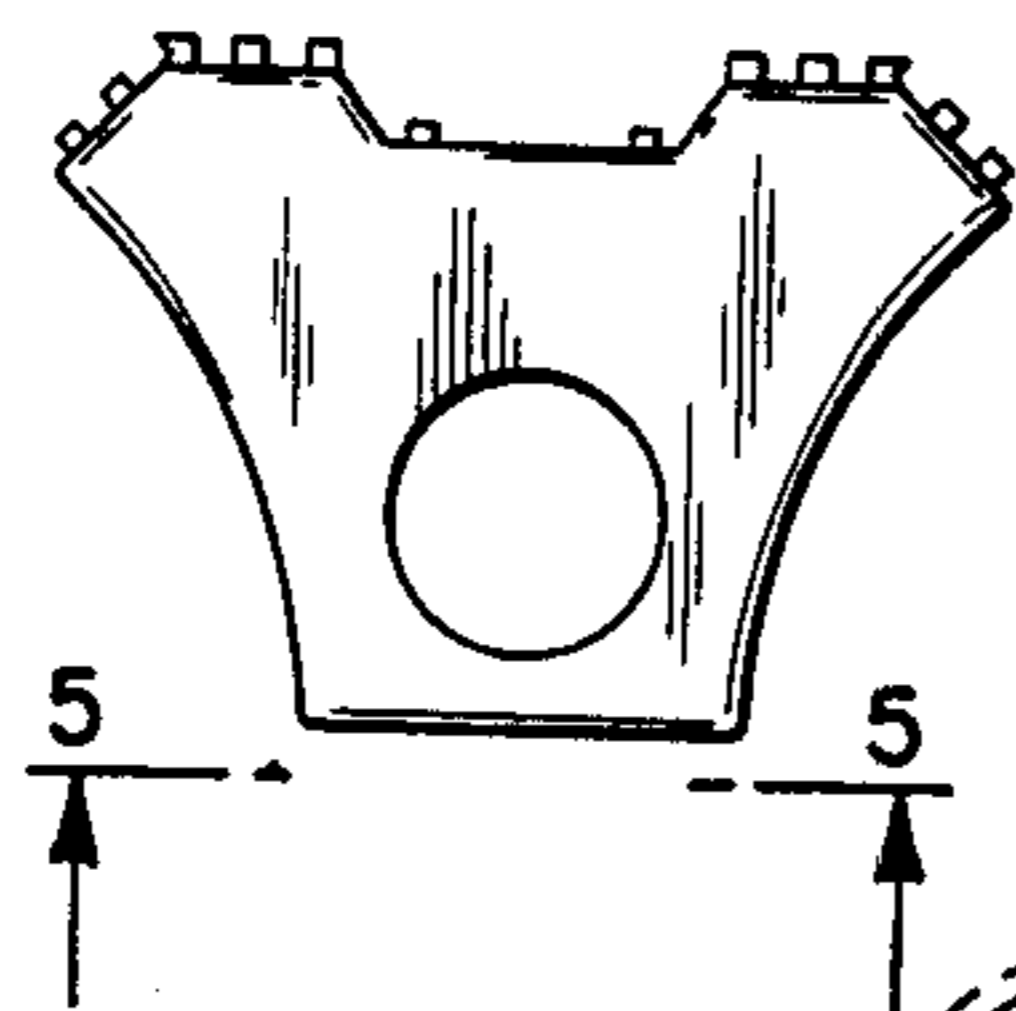


Fig. 5.

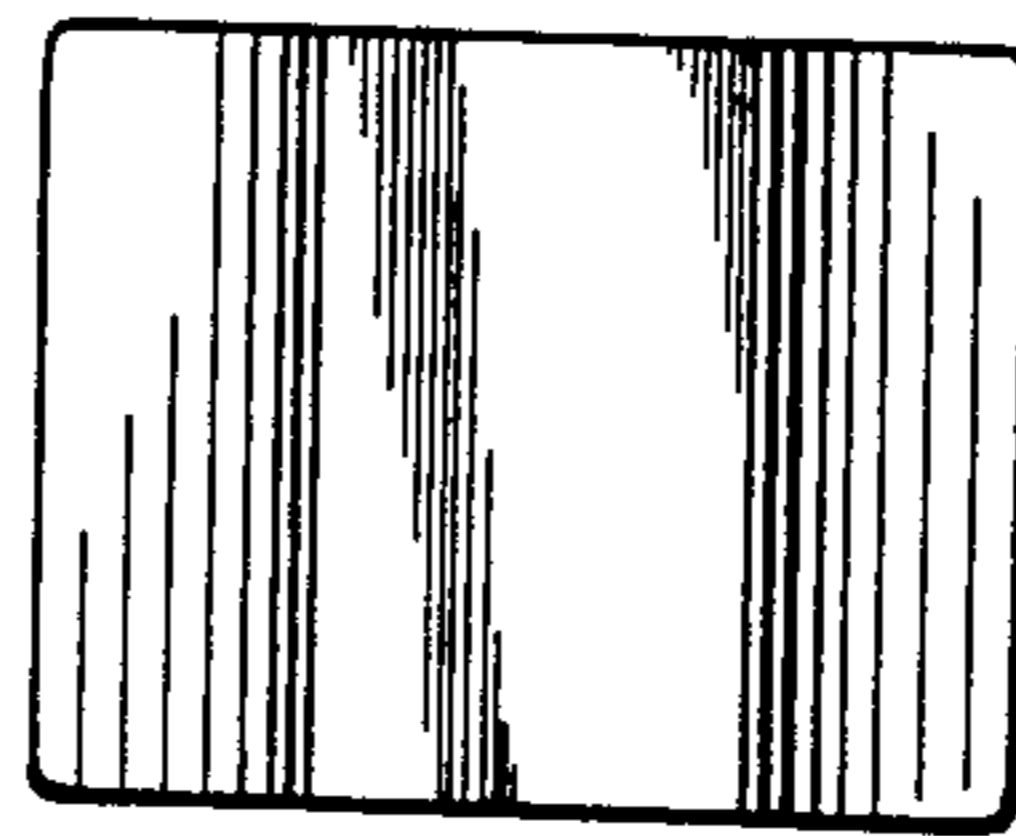


Fig. 4.

