

[54] SELF PROPELLED CRANE

[75] Inventor: John W. Haswell, Belleville, Mich.

[73] Assignee: Master Craft Engineering, Inc.,
Belleville, Mich.

[**] Term: 14 Years

[21] Appl. No.: 672,869

[22] Filed: Apr. 2, 1976

[51] Int. Cl. D12-05

[52] U.S. Cl. D12/57

[58] Field of Search D12/57; 212/59, 38,
212/124

[56] References Cited

U.S. PATENT DOCUMENTS

D. 179,840	3/1957	Eitel	D12/57
D. 205,031	6/1966	Grove	D12/57

OTHER PUBLICATIONS

Hopper Crane Brochure, Rec'd. 5-24-70, Self Pro-
pelled Crane on front cover.

Primary Examiner—Wallace R. Burke

Assistant Examiner—James M. Gandy

Attorney, Agent, or Firm—Harold F. McNenny

[57] CLAIM

The ornamental design for a self propelled crane, as
shown.

DESCRIPTION

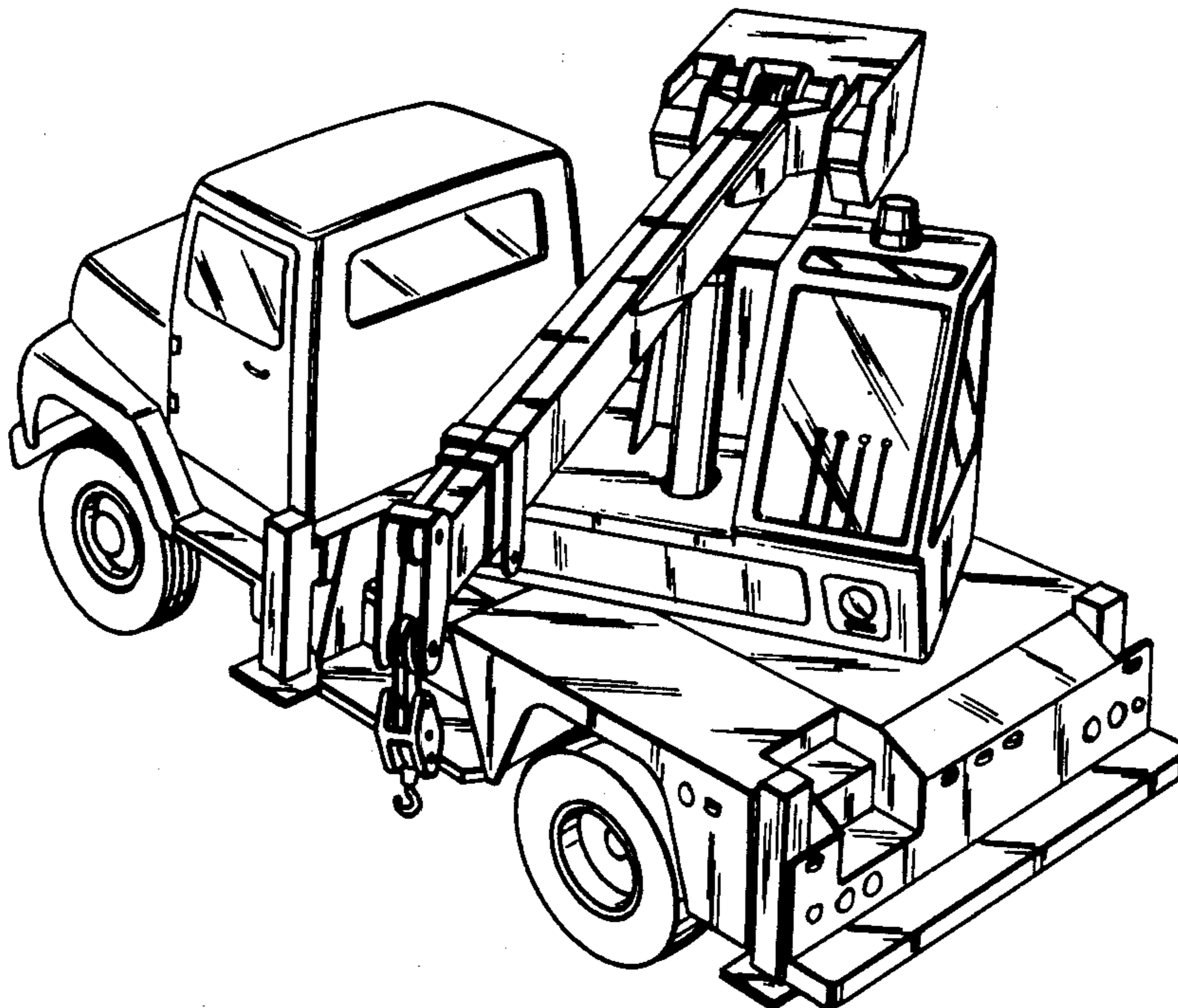
FIG. 1 is a perspective view of a self propelled crane
showing the new design.

FIG. 2 is a left side elevational view thereof.

FIG. 3 is a front elevational view thereof.

FIG. 4 is a right side elevational view thereof.

FIG. 5 is a rear elevational view thereof.



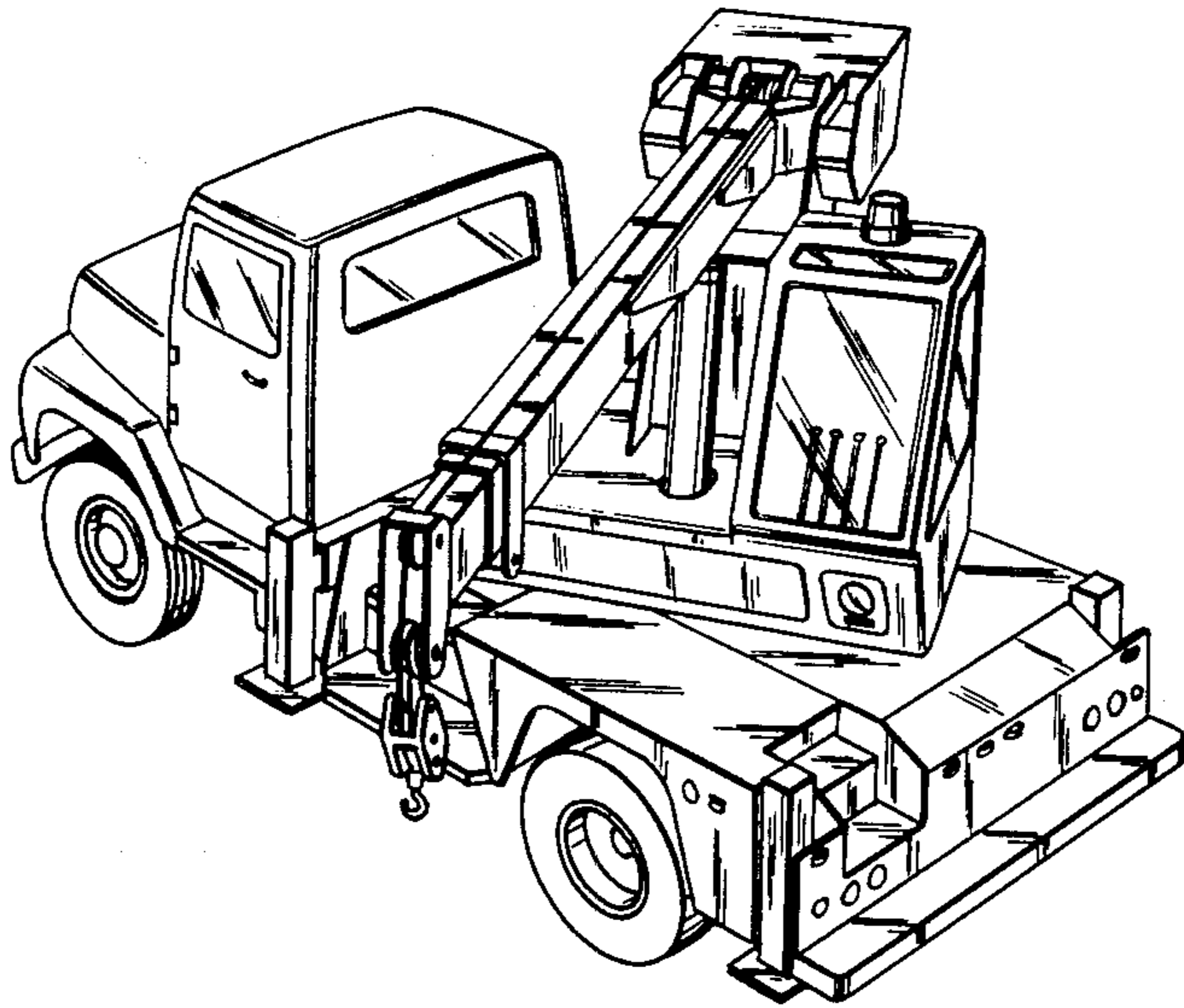


Fig. 1

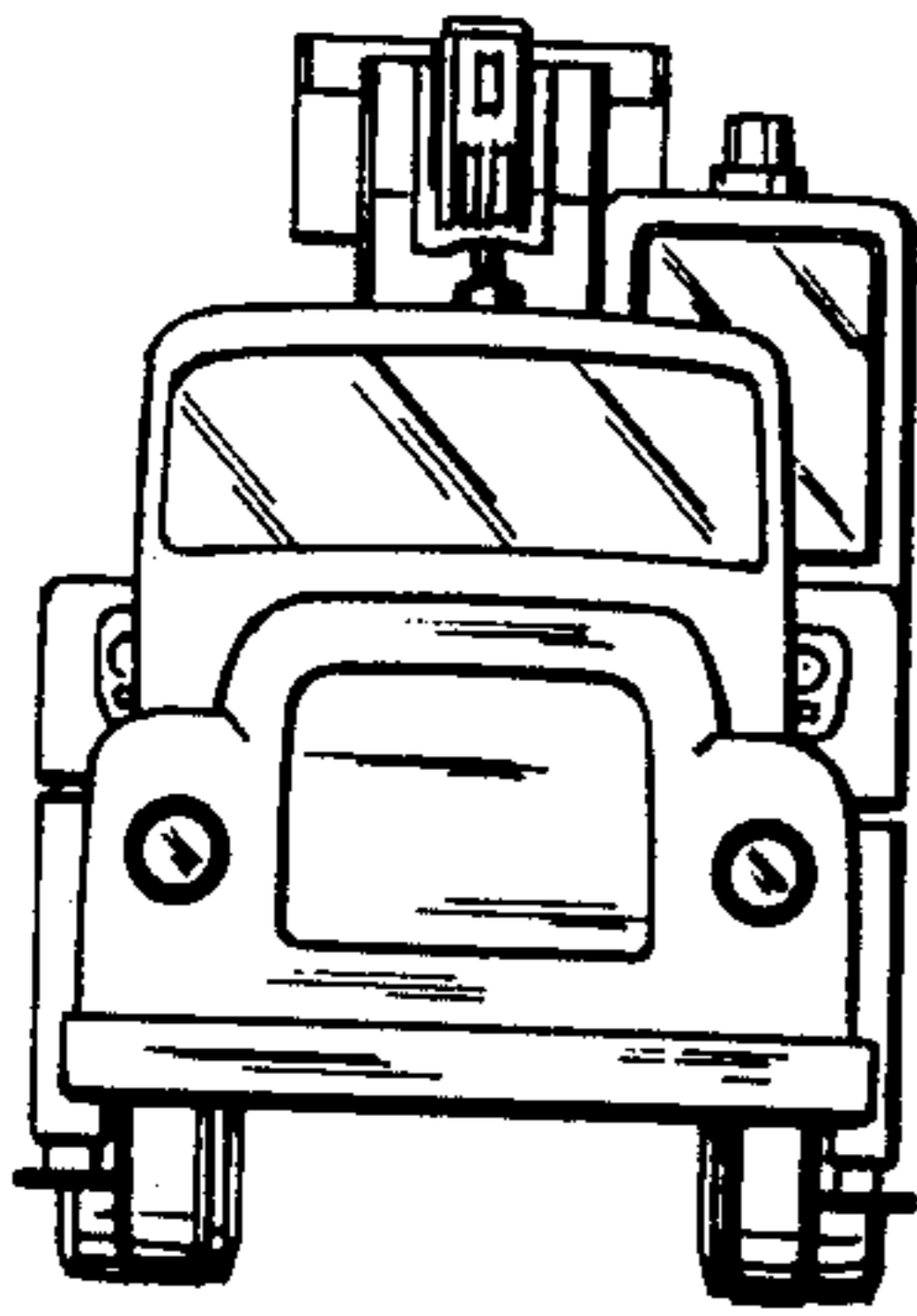


Fig. 3

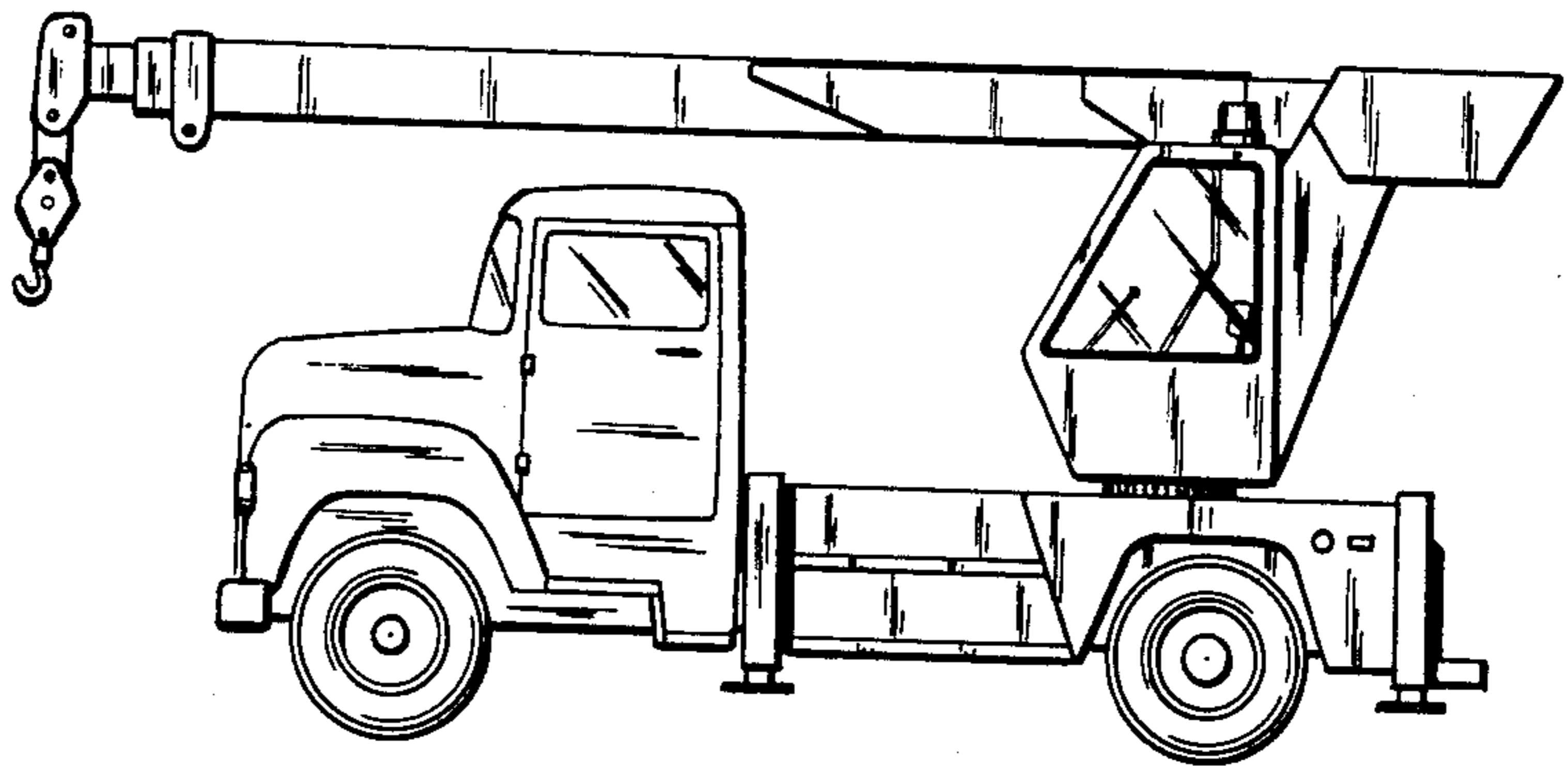


Fig. 2

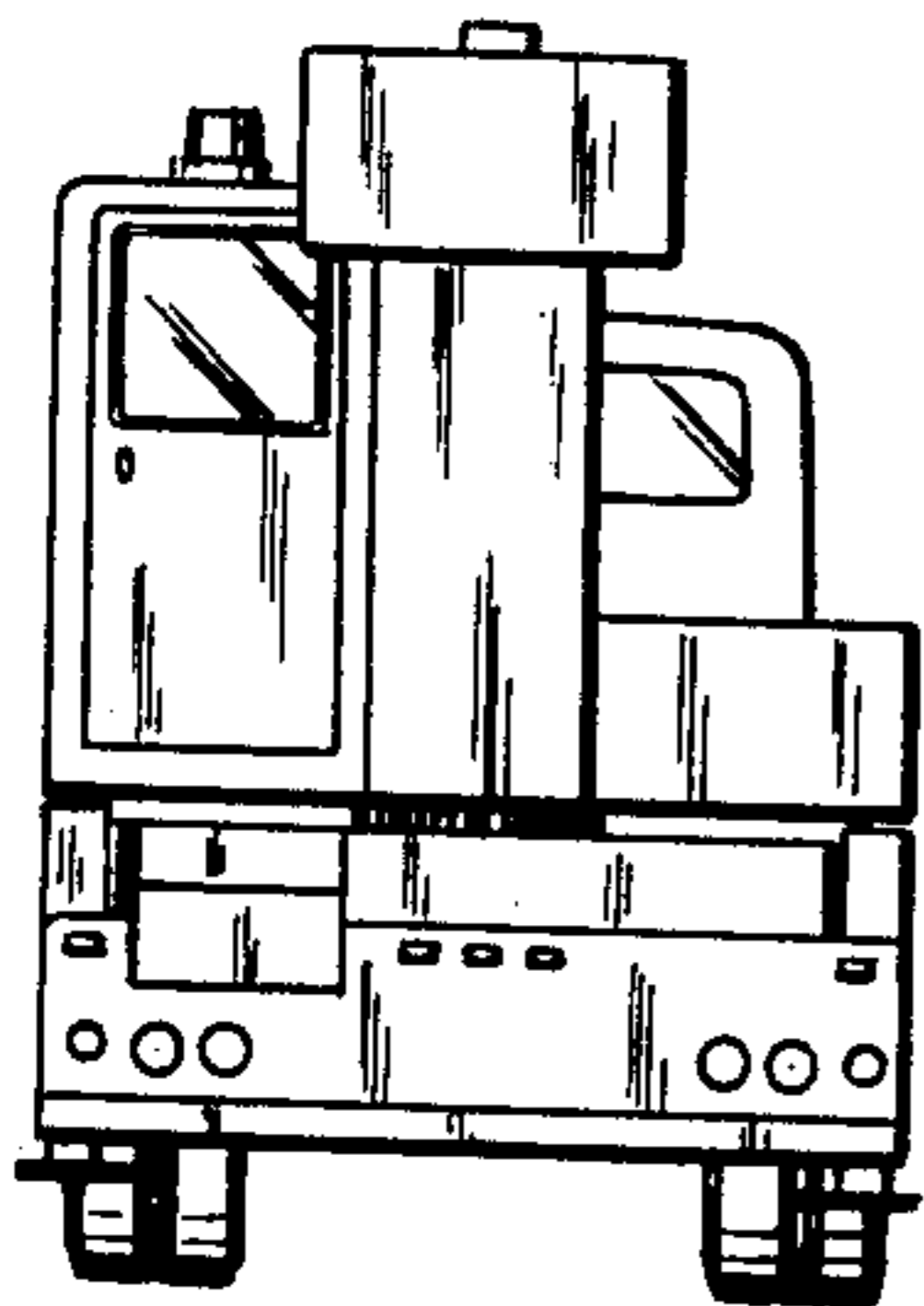


Fig. 5

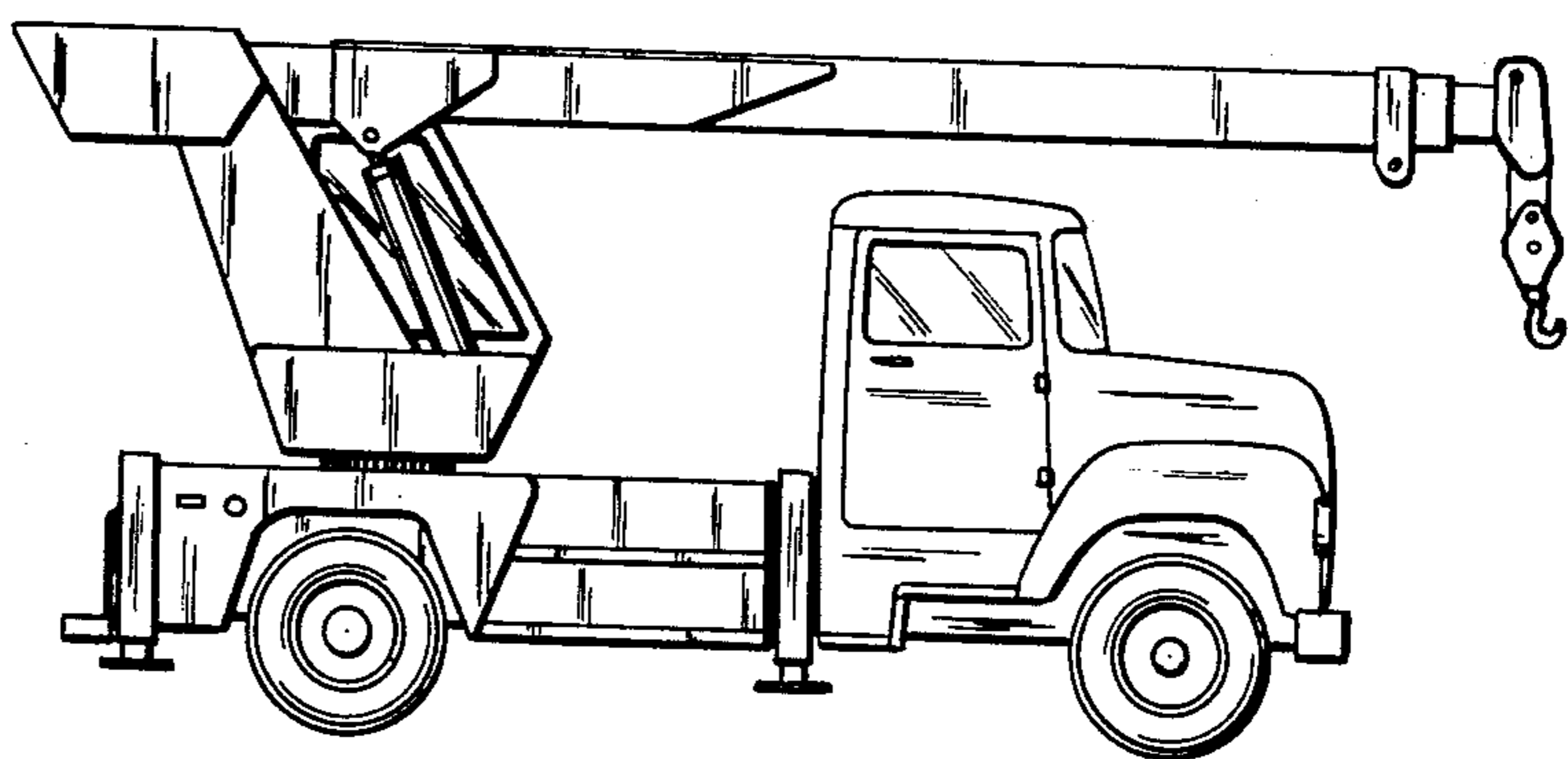


Fig. 4