

**United States Patent** [19]  
**Shibukawa**

[11] **Des. 245,072**  
[45] **\*\* July 19, 1977**

[54] **CALIPERS**

[75] **Inventor:** Kouzo Shibukawa, Kawasaki, Japan

[73] **Assignee:** Mitutoyo Manufacturing Company, Ltd., Tokyo, Japan

[\*\*] **Term:** 14 Years

[21] **Appl. No.:** 616,223

[22] **Filed:** Sept. 24, 1975

[30] **Foreign Application Priority Data**

Dec. 23, 1974 Japan ..... 49-44795

[51] **Int. Cl.** ..... D10-04

[52] **U.S. Cl.** ..... D10/73

[58] **Field of Search** ..... D10/73, 74; 33/147 R,  
33/147 T, 147 J

[56] **References Cited**

**U.S. PATENT DOCUMENTS**

3,447,244 6/1969 Scholl ..... 33/147 T  
D. 235,627 7/1975 Uchino ..... D10/73

**FOREIGN PATENT DOCUMENTS**

747,600 12/1966 Canada ..... 33/147 T  
489,774 6/1970 Switzerland ..... 33/147 T

*Primary Examiner*—Nelson C. Holtje  
*Attorney, Agent, or Firm*—Frank J. Jordan

[57] **CLAIM**

The ornamental design for a calipers, as shown.

**DESCRIPTION**

FIG. 1 is a front elevational view of a caliper showing my new design;  
FIG. 2 is a top plan view thereof;  
FIG. 3 is a bottom plan view thereof;  
FIG. 4 is a left end elevational view thereof;  
FIG. 5 is a right end elevational view thereof; and  
FIG. 6 is a rear elevational view thereof.

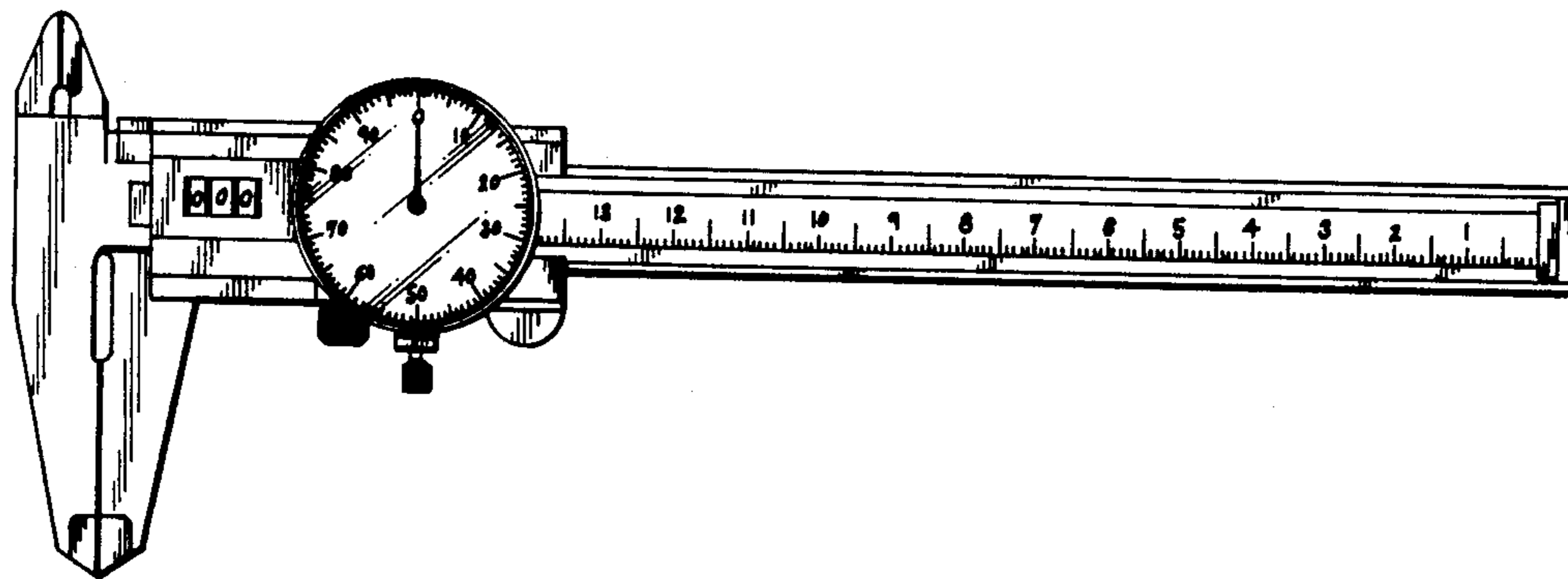


FIG. 1

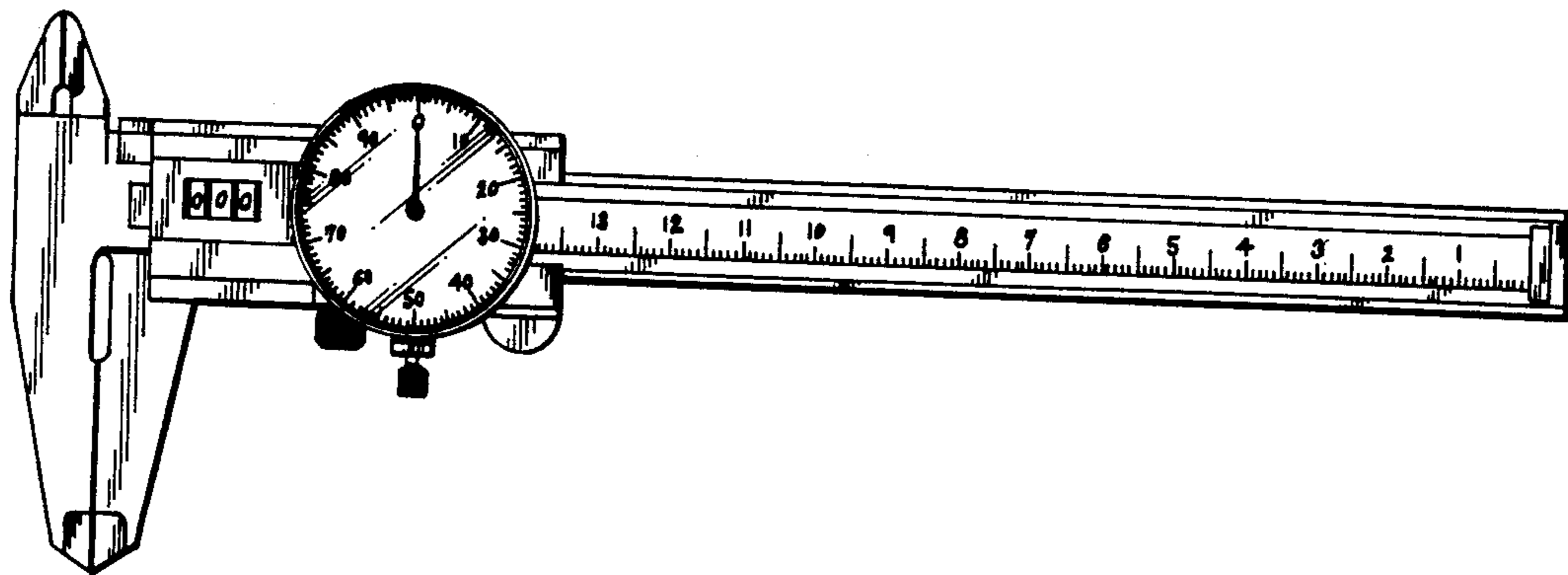


FIG. 2

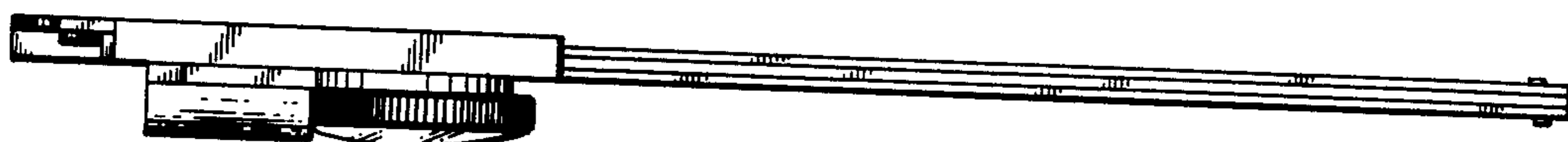


FIG. 3

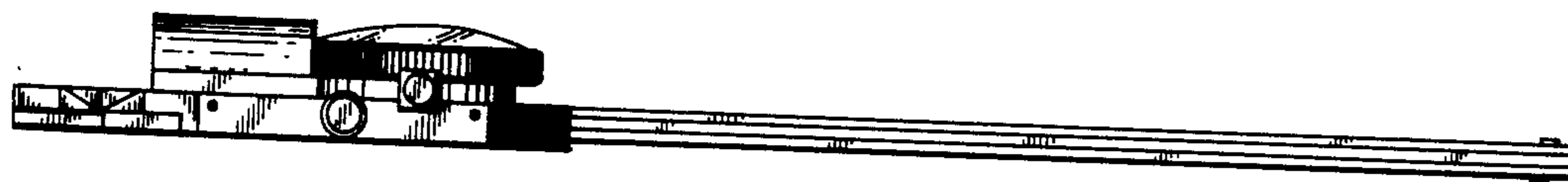


FIG. 4



FIG. 5

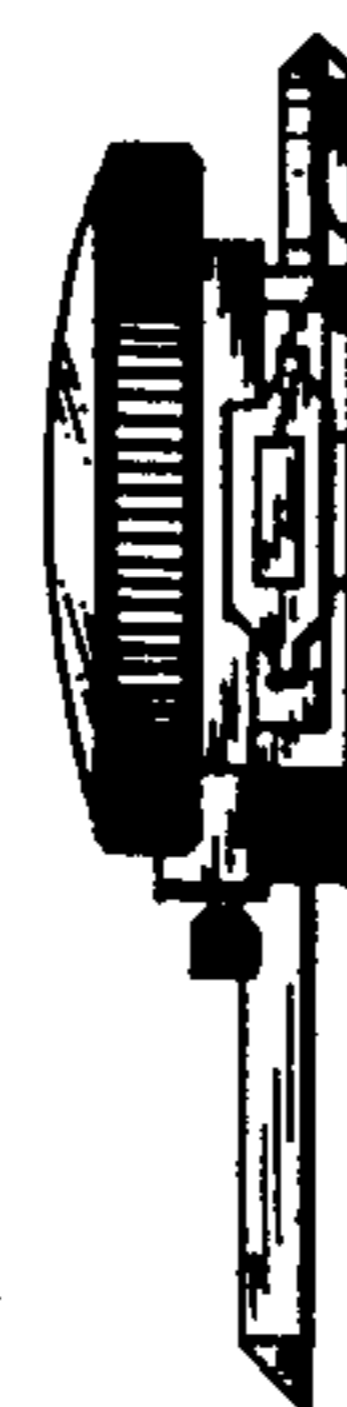


FIG. 6

