

United States Patent [19]

Mandel et al.

[11] **Des. 245,069**

[45] **** July 19, 1977**

[54] **SUTURE PACKAGE**

[75] Inventors: **Harvey B. Mandel, N. Brunswick;
Michael Schuler, Edison, both of N.J.**

[73] Assignee: **Ethicon, Inc., Somerville, N.J.**

[**] Term: **14 Years**

[21] Appl. No.: **623,862**

[22] Filed: **Oct. 20, 1975**

[51] Int. Cl. **D9-03**

[52] U.S. Cl. **D9/193**

[58] Field of Search **206/63.3; D9/191-193,
D9/224, 223; D83/1 U**

[56] **References Cited**

U.S. PATENT DOCUMENTS

3,136,418	6/1964	Stacy et al.	206/63.3
3,363,751	1/1968	Shave et al.	206/63.3

3,398,825	8/1968	Flook, Jr. et al.	D9/191 X
3,939,969	2/1976	Miller et al.	206/63.3
D. 197,145	12/1963	Sanders	D9/223

Primary Examiner—Robert C. Spangler
Attorney, Agent, or Firm—Wayne R. Eberhardt

[57] **CLAIM**

The ornamental design for a suture package, as shown and described.

DESCRIPTION

FIG. 1 is a top plan view of a suture package showing our new design;
FIG. 2 is a bottom plan view;
FIG. 3 is a side elevational view;
FIG. 4 is a perspective view;
FIG. 5 is a perspective view showing a modified form of our new design; and
FIG. 6 is a perspective view showing another modified form of our new design.

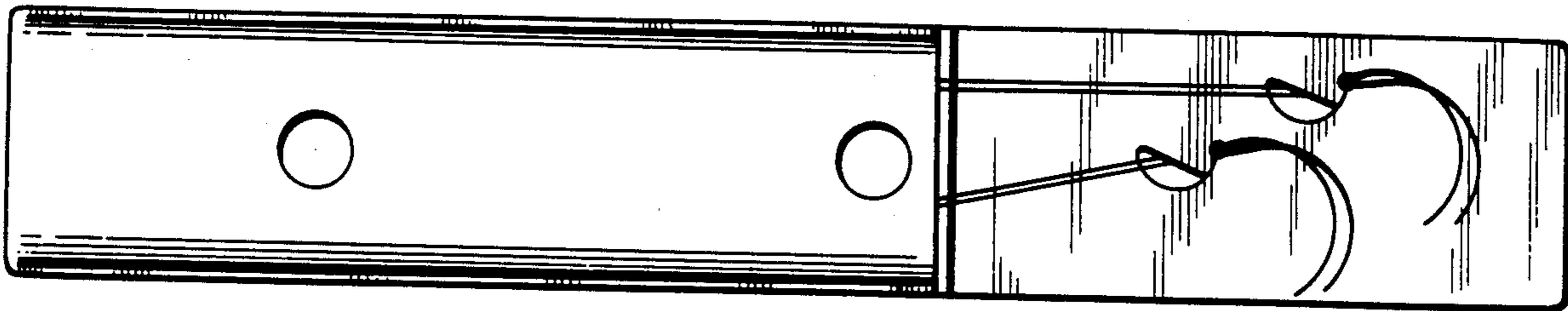


Fig. 1.

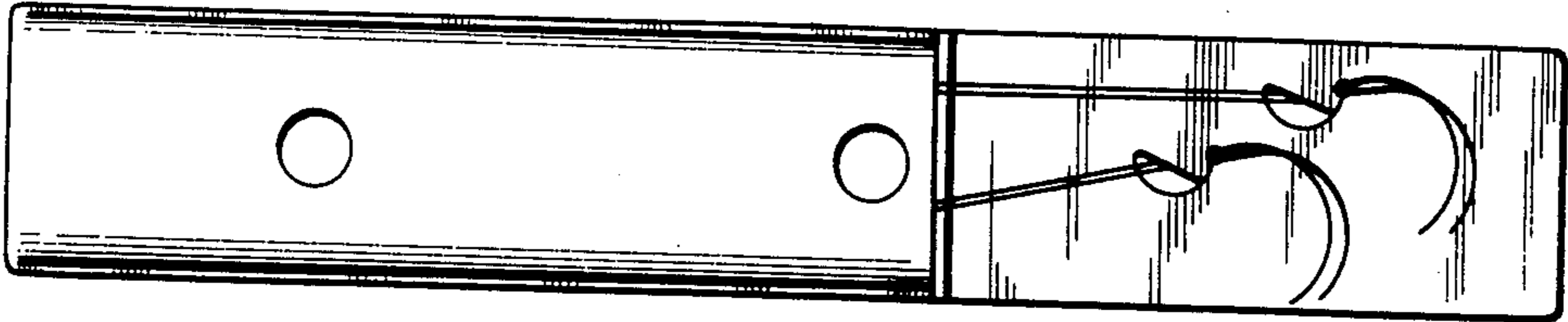


Fig. 2.

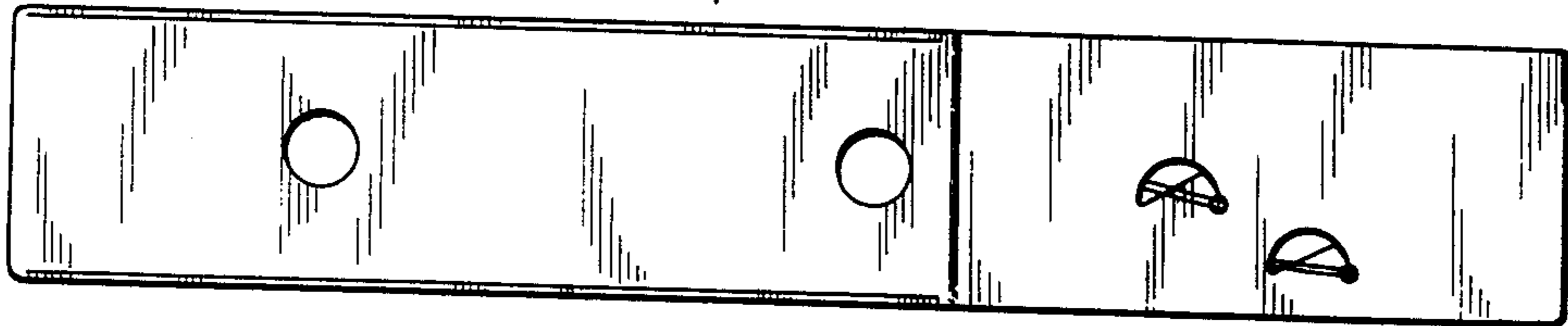


Fig. 3.



Fig. 4.

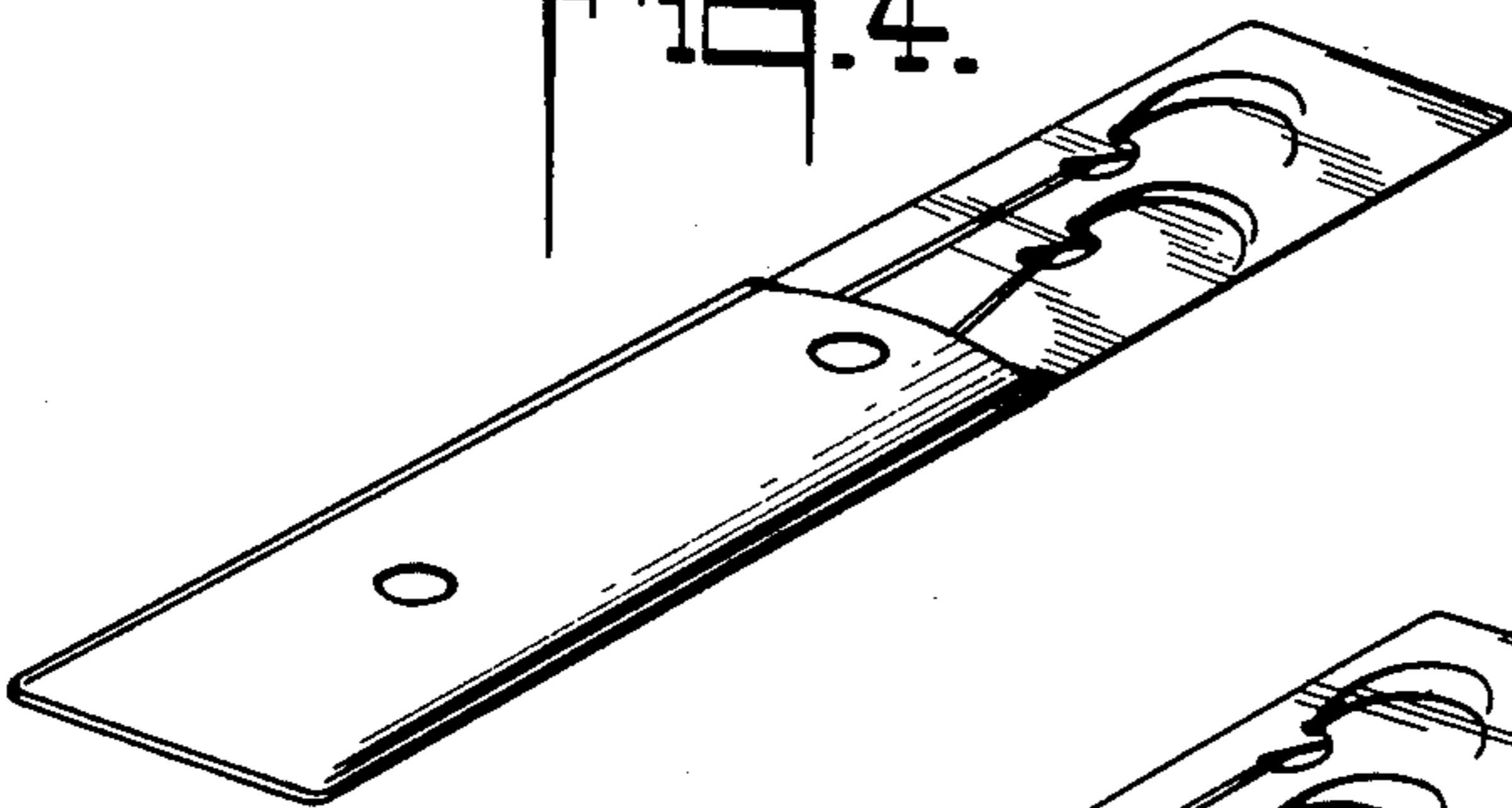


Fig. 5.

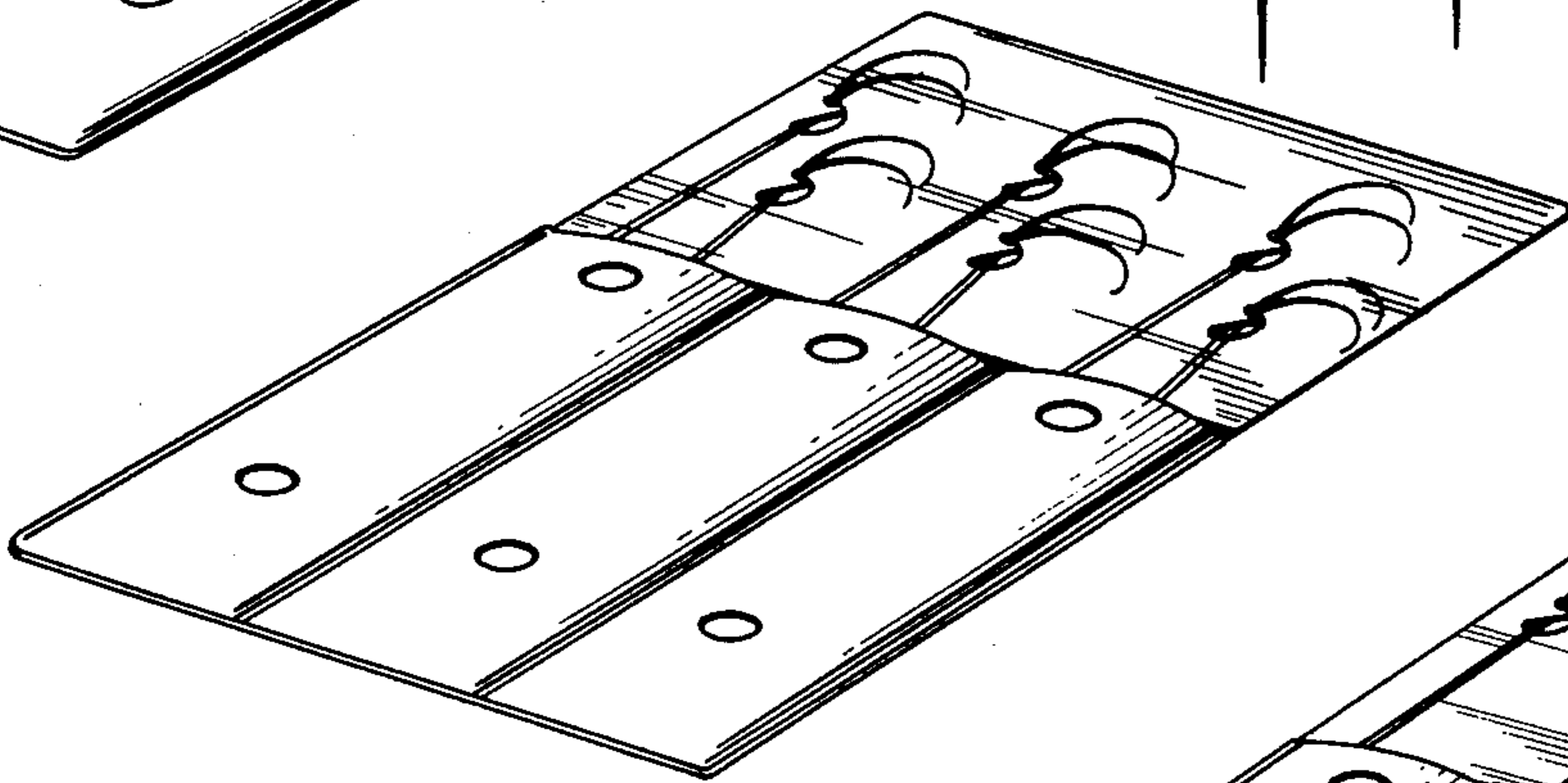


Fig. 6.

