

[54] HAND GRIP

[76] Inventor: Preston L. Petty, 403 N. Main St., Newberg, Oreg. 97132

[**] Term: 14 Years

[21] Appl. No.: 657,594

[22] Filed: Feb. 12, 1976

[51] Int. Cl. D8-06

[52] U.S. Cl. D8/303

[58] Field of Search D8/138; 74/551.9

[56] References Cited

U.S. PATENT DOCUMENTS

D. 178,977	10/1956	Williamson	D8/138
D. 185,613	6/1959	Price	D8/138
D. 198,197	5/1964	Utz et al.	D8/138

D. 222,213	10/1971	Rumaner	D8/138
D. 666,340	1/1954	Hunt	D8/138 UX

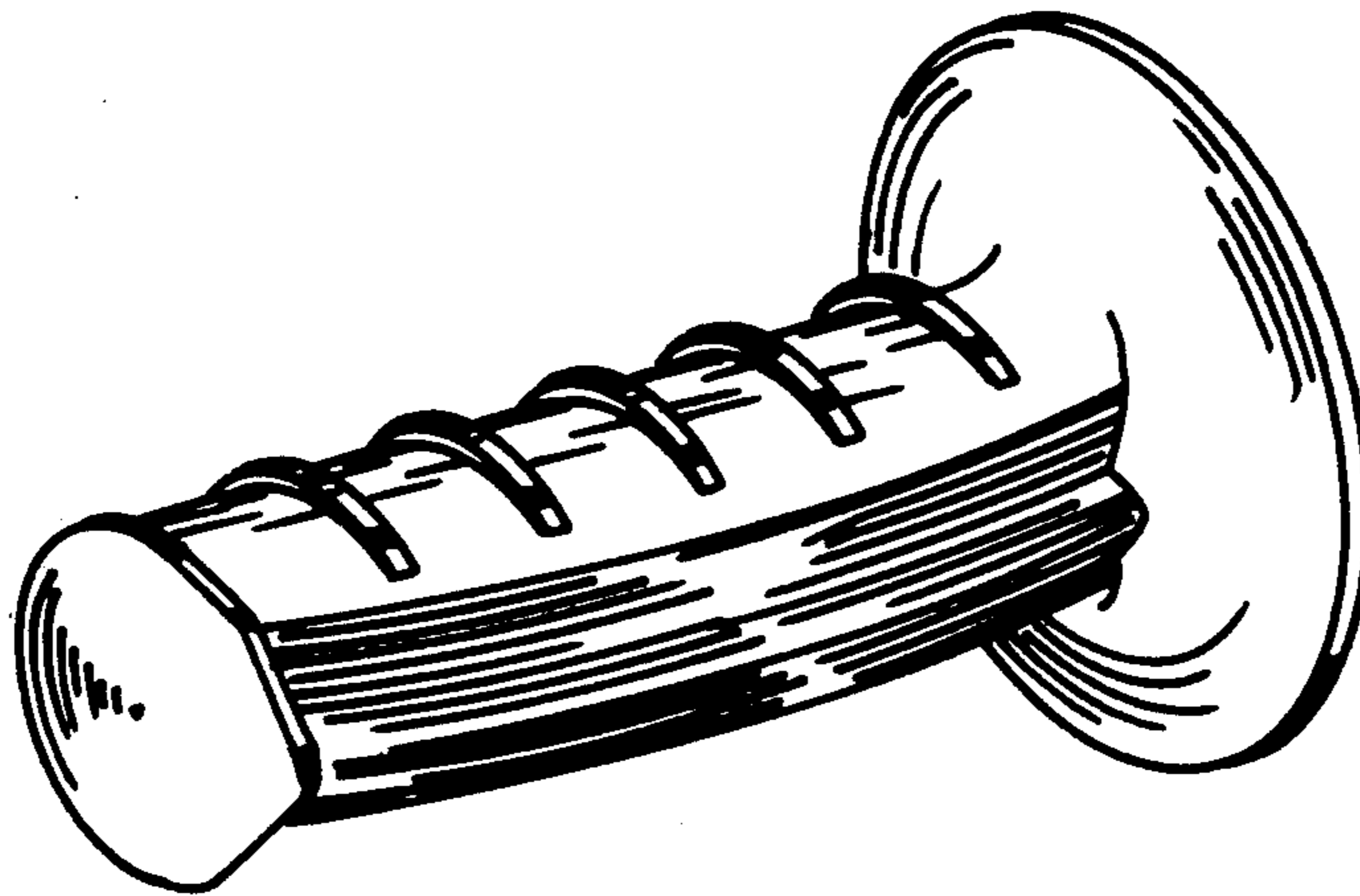
Primary Examiner—William N. Wertman
Attorney, Agent, or Firm—Adrian J. La Rue

[57] CLAIM

The ornamental design for hand grip, as shown.

DESCRIPTION

FIG. 1 is a perspective view of the hand grip;
FIG. 2 is another perspective view thereof;
FIG. 3 is a top plan view thereof;
FIG. 4 is an end elevational view looking from the right of FIG. 3;
FIG. 5 is a side elevational view thereof;
FIG. 6 is an end elevational view looking from the left of FIG. 5; and
FIG. 7 is a bottom plan view thereof.



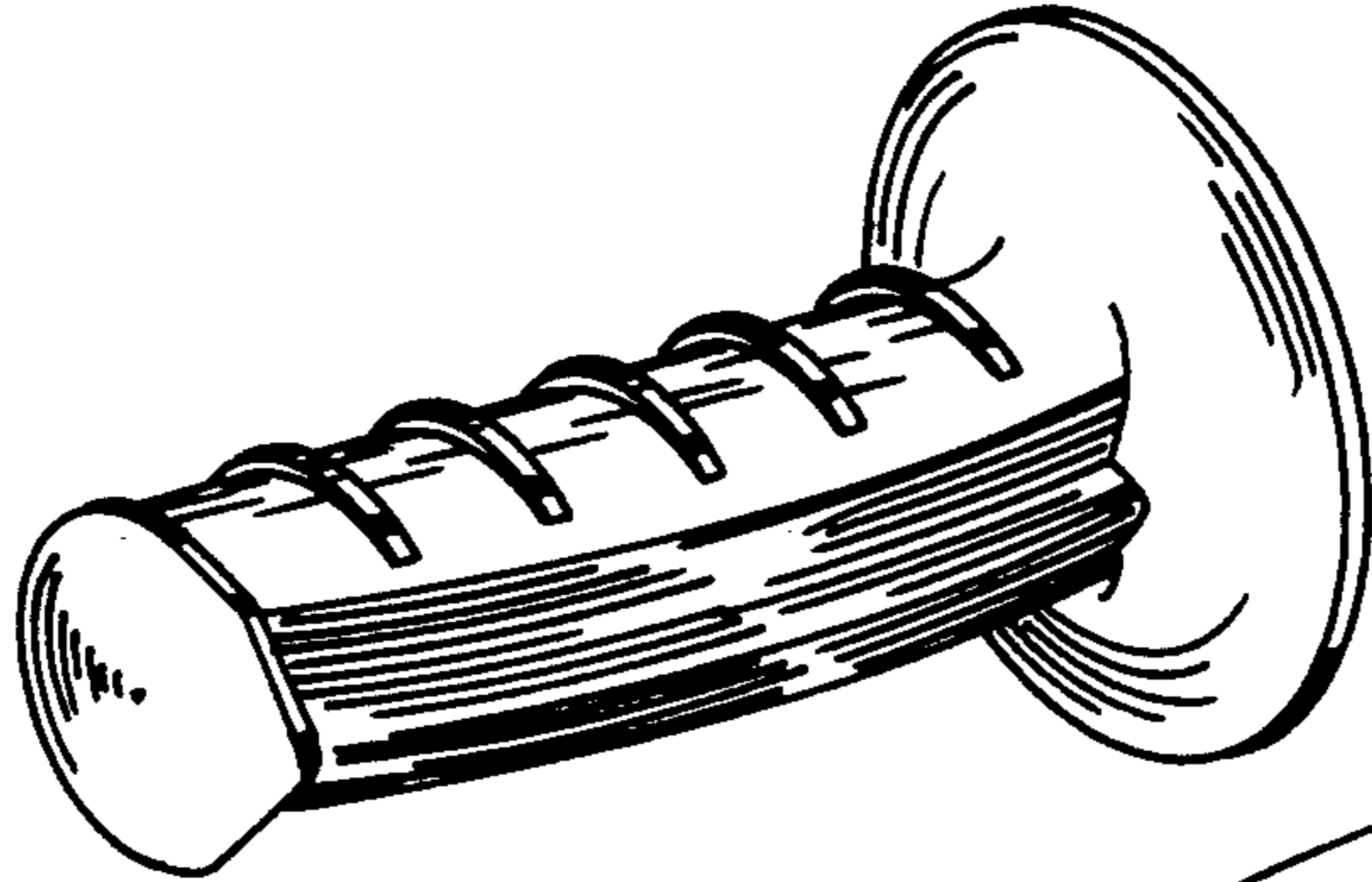


Fig-1

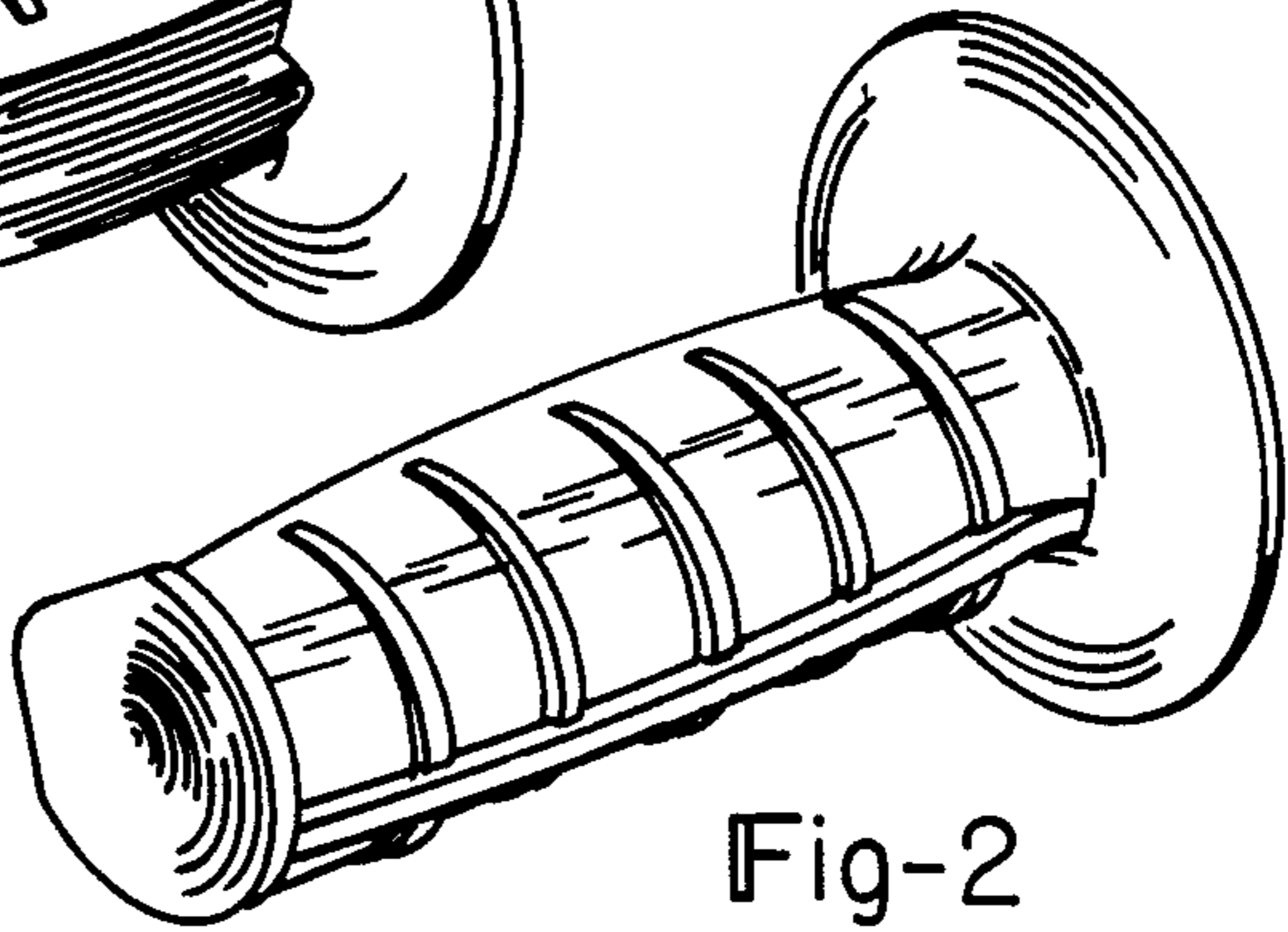


Fig-2

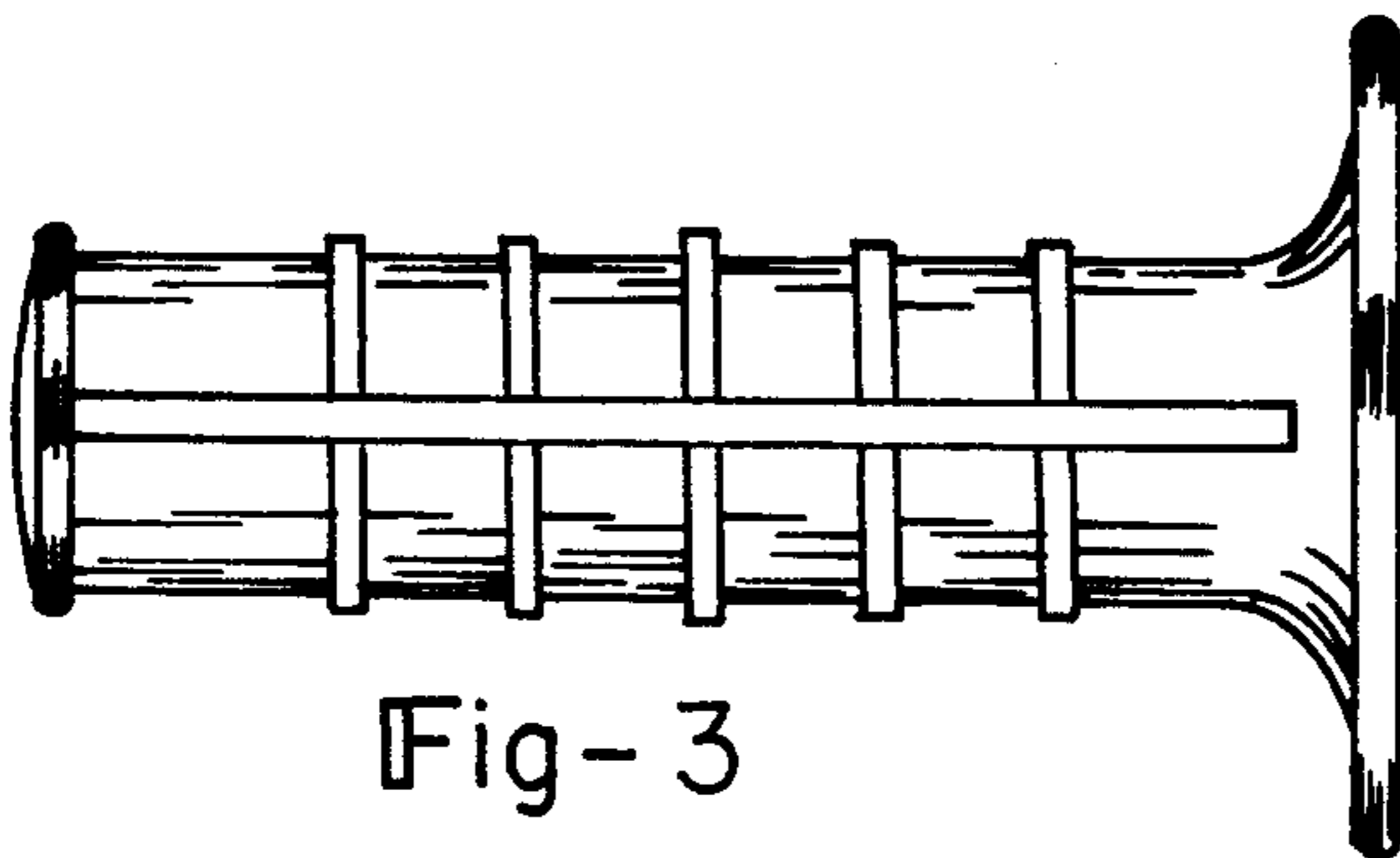


Fig-3

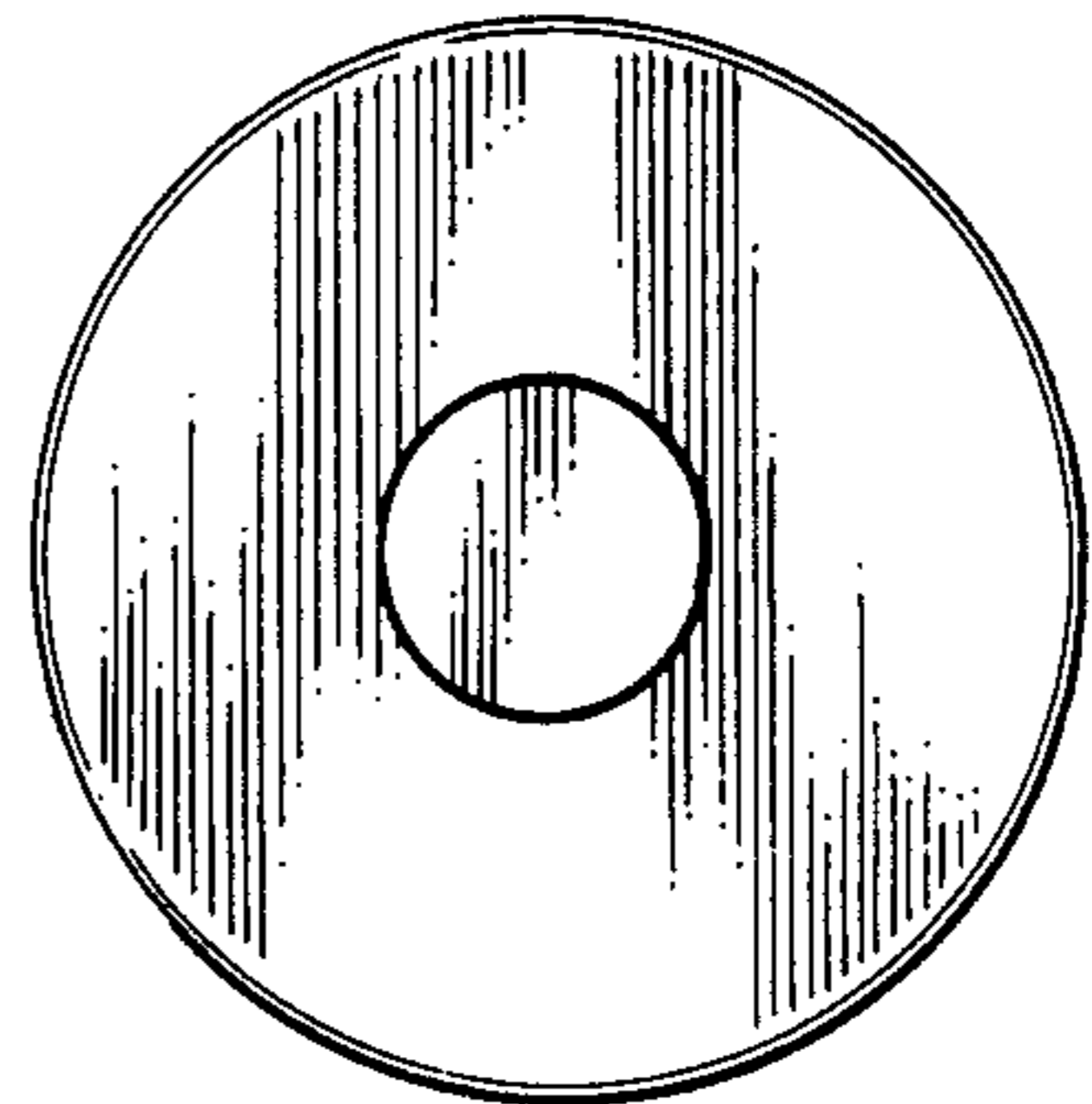


Fig-4

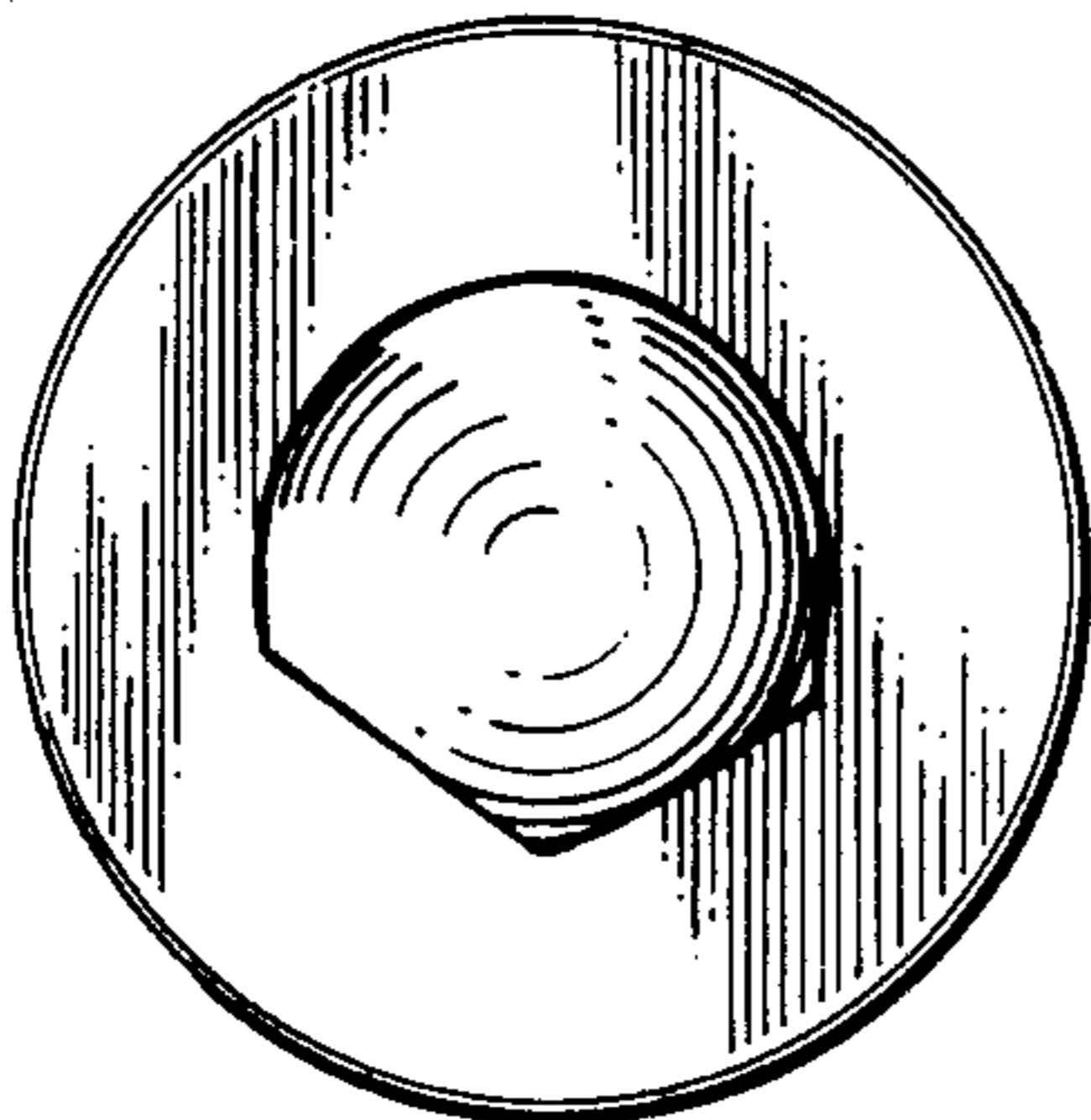


Fig-6

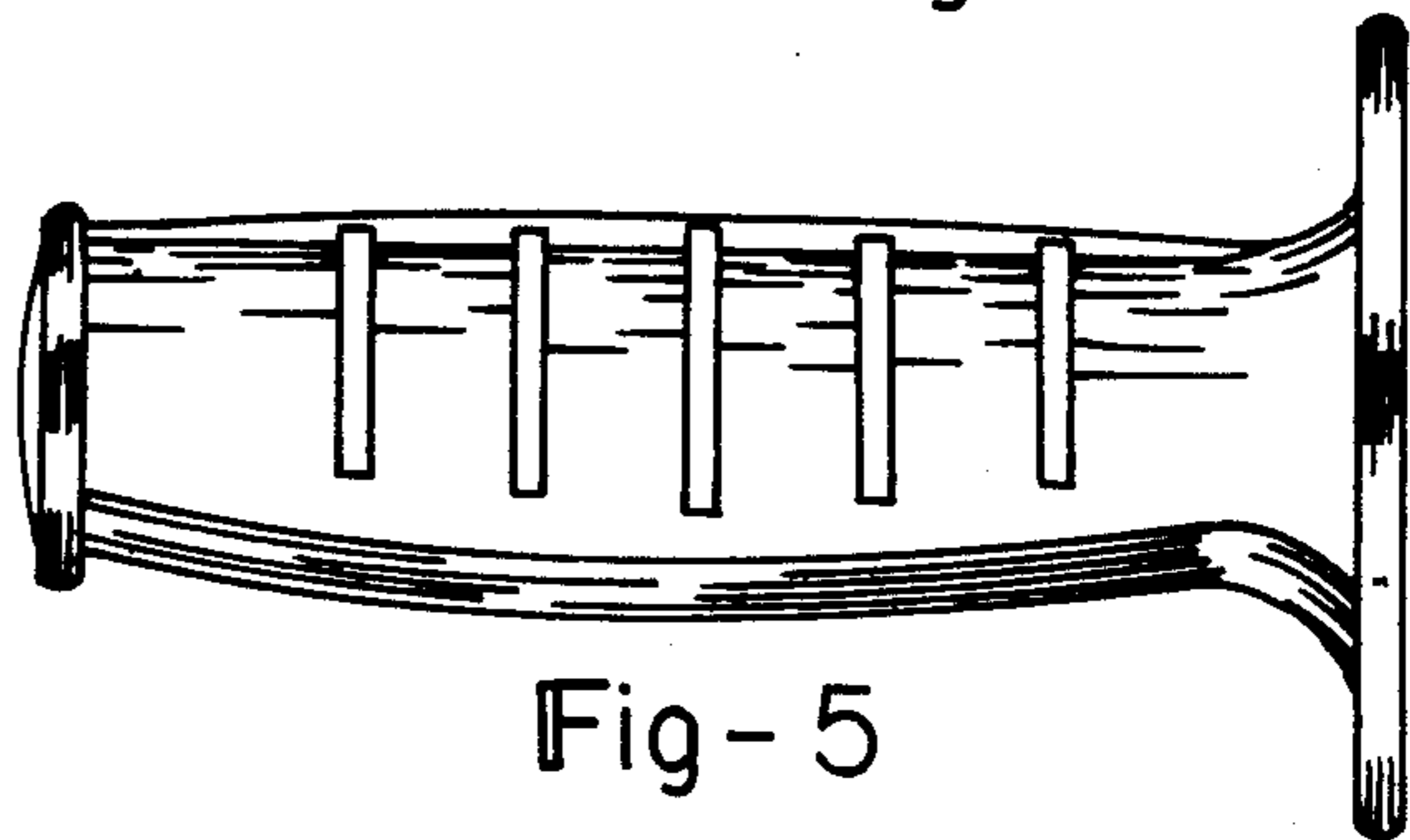


Fig-5

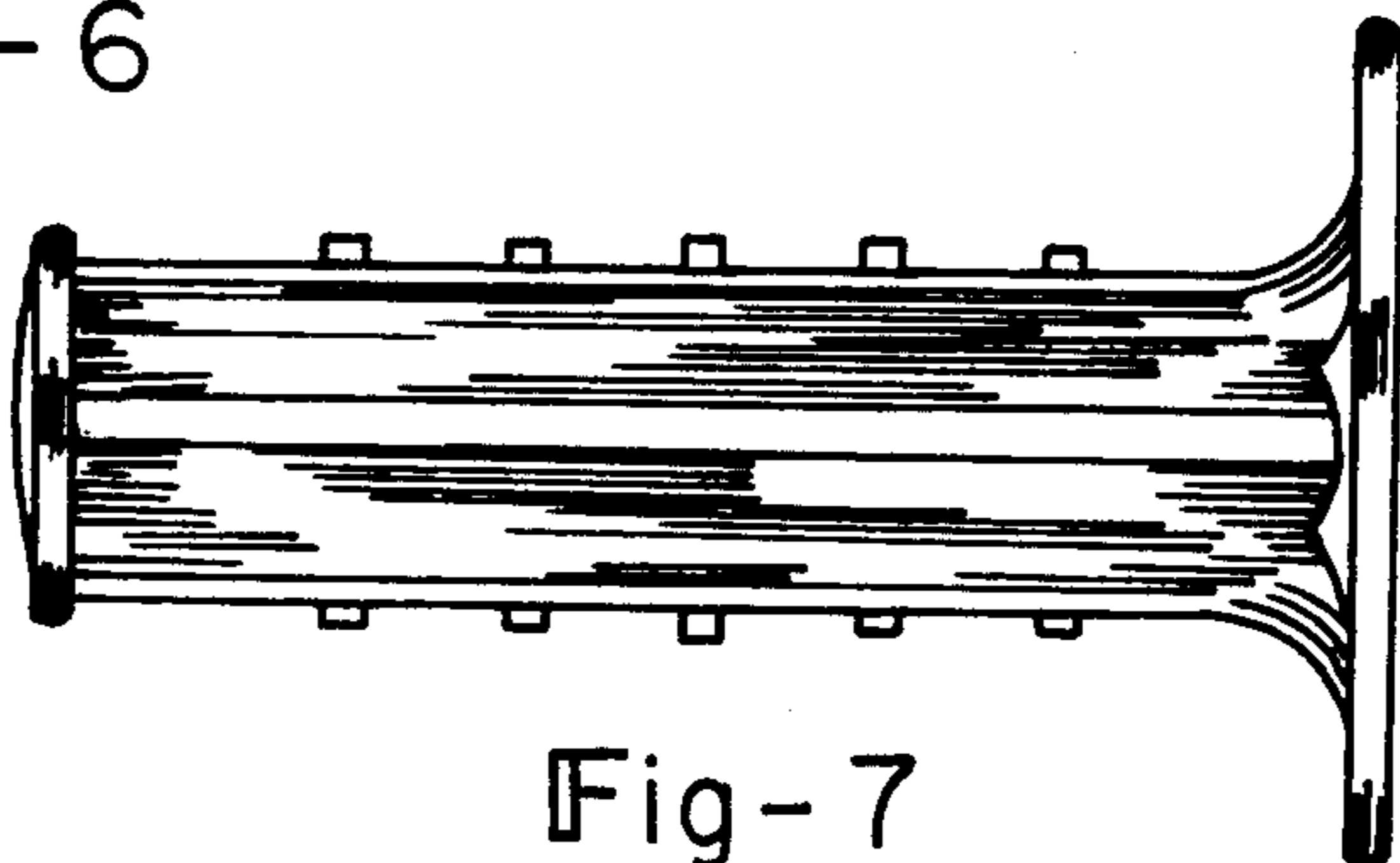


Fig-7