

[54] **PLANT FEEDING DEVICE**  
 [75] Inventor: **Philip B. Knapp**, Lynbrook, N.Y.  
 [73] Assignee: **Hortigro, Inc.**, Lynbrook, N.Y.  
 [\*\*] Term: **14 Years**  
 [21] Appl. No.: **630,991**  
 [22] Filed: **Nov. 12, 1975**  
 [51] Int. Cl. .... **D7-99**  
 [52] U.S. Cl. .... **D8/1**  
 [58] Field of Search ..... **D8/1; 47/48.5**

3,151,415 10/1964 James ..... 47/48.5  
 3,856,205 12/1974 Rohling ..... 47/48.5  
 D. 203,207 12/1965 Kersh ..... D8/1

*Primary Examiner*—Wallace R. Burke  
*Assistant Examiner*—B. J. Bullock  
*Attorney, Agent, or Firm*—Arthur B. Colvin

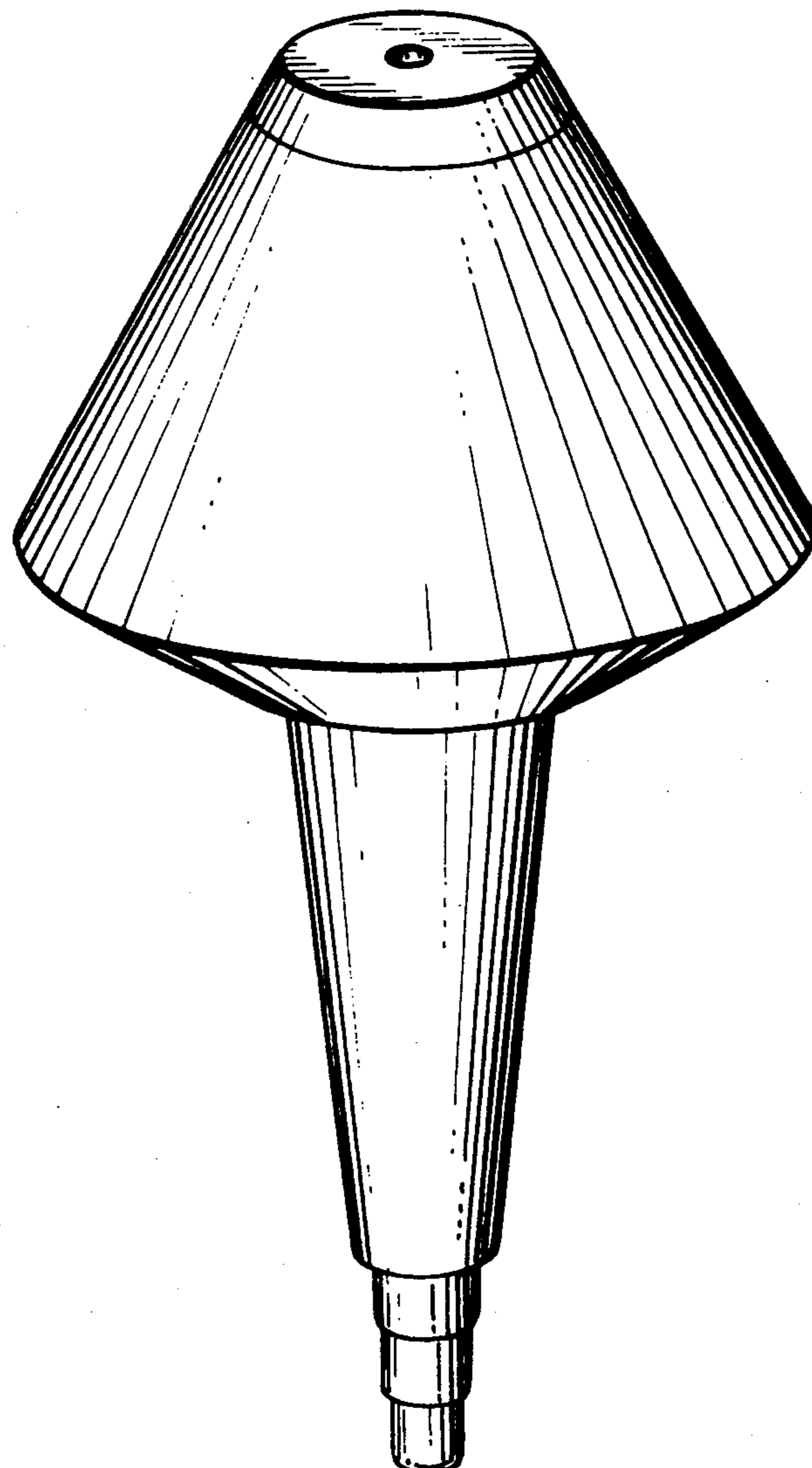
[57] **CLAIM**

The ornamental design for a plant feeding device, substantially as shown.

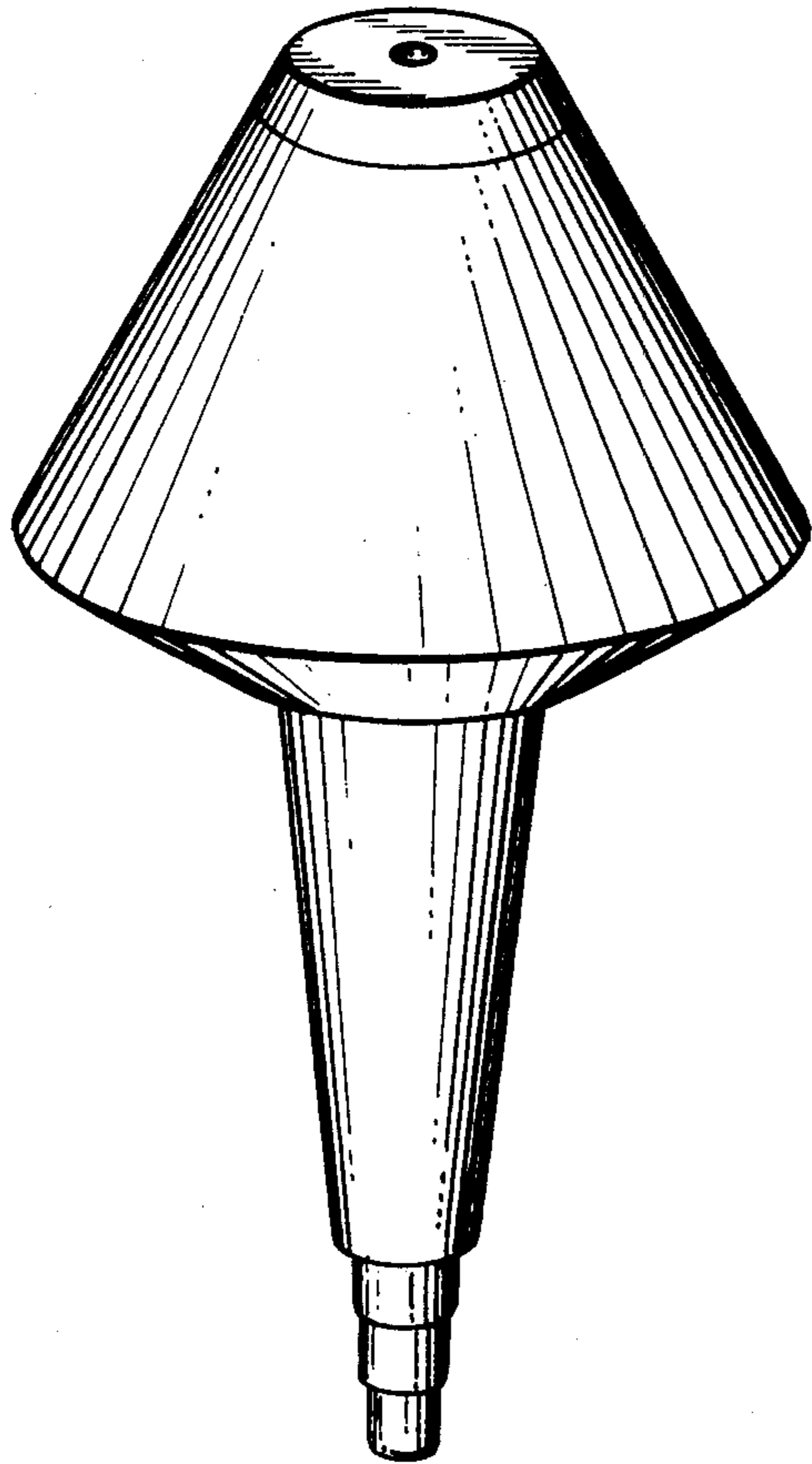
**DESCRIPTION**

FIG. 1 is a perspective view of the plant feeding device showing my new design;  
 FIG. 2 is a side elevational view thereof;  
 FIG. 3 is a top plan view, and  
 FIG. 4 is a bottom plan view.

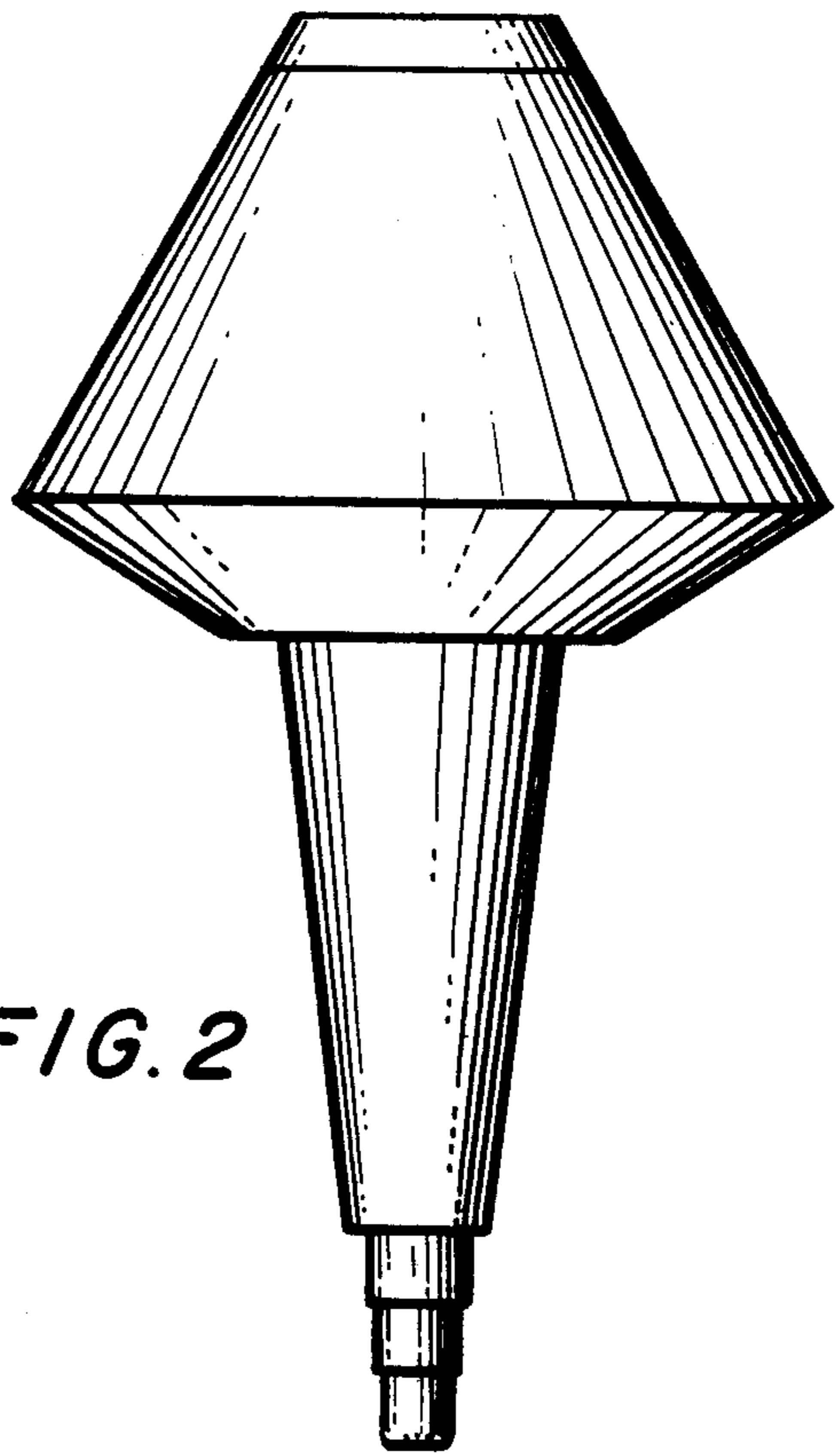
[56] **References Cited**  
**U.S. PATENT DOCUMENTS**  
 644,703 3/1900 Buckley ..... 47/48.5



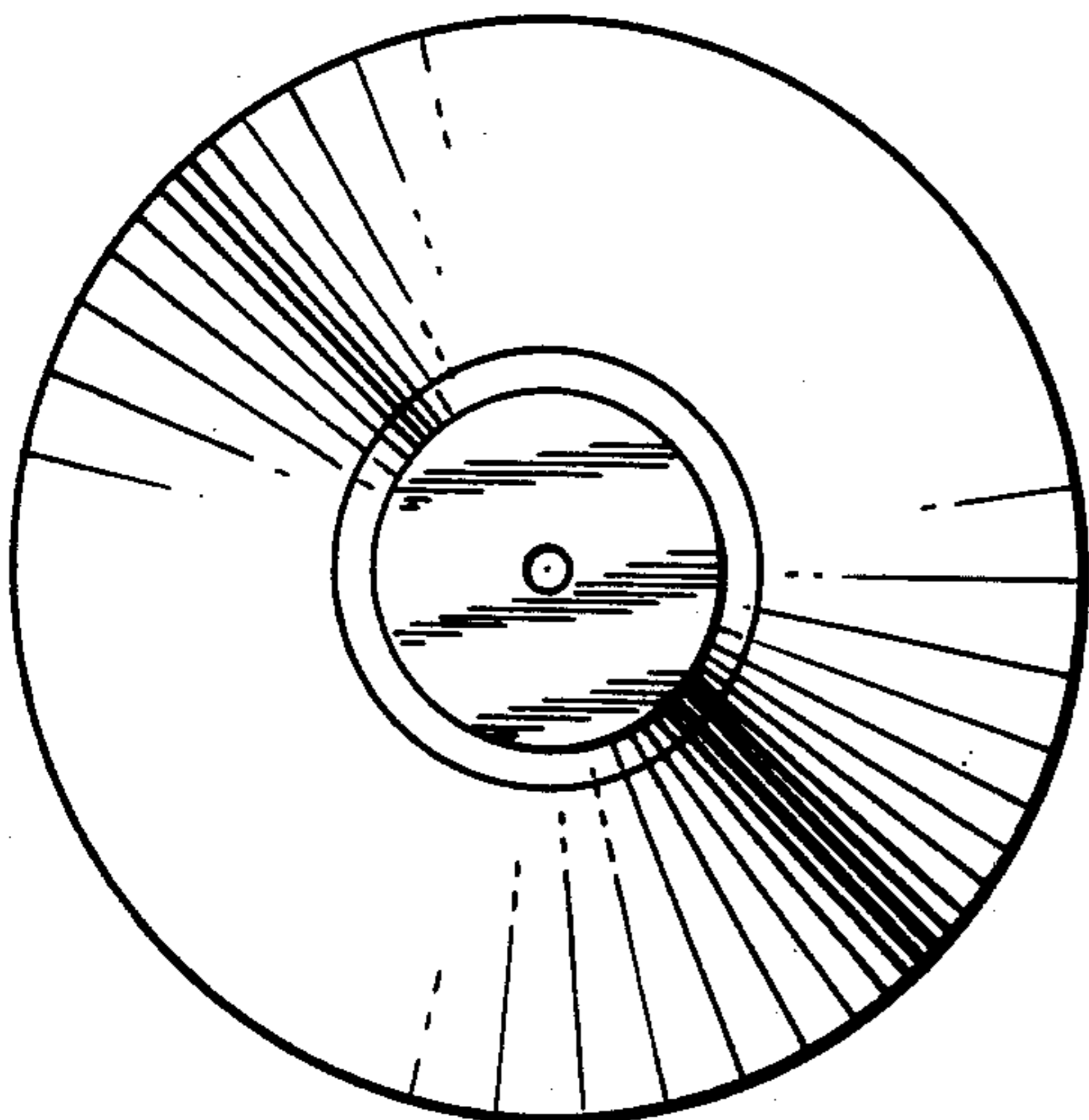
*FIG. 1*



*FIG. 2*



*FIG. 3*



*FIG. 4*

