

[54] **RECORD STAND**

[75] Inventor: **Ole Winther**, Kopenhamn K,  
Denmark

[73] Assignee: **Esselte Obergs AB**, Stockholm,  
Sweden

[\*\*] Term: **14 Years**

[21] Appl. No.: **628,702**

[22] Filed: **Nov. 4, 1975**

[30] **Foreign Application Priority Data**

May 7, 1975 Sweden ..... 75984

[51] Int. Cl. .... **D6-04**

[52] U.S. Cl. .... **D6/185**

[58] Field of Search ..... D6/20, 85, 24, 181,  
D6/184, 185, 186, 190

[56]

**References Cited**

**U.S. PATENT DOCUMENTS**

D. 168,445 12/1952 Glead, Jr. .... D6/184  
D. 209,455 12/1967 Clark ..... D6/185  
D. 228,109 8/1973 Woods ..... D6/185

*Primary Examiner*—Bruce W. Dunkins  
*Attorney, Agent, or Firm*—Richard C. Sughrue

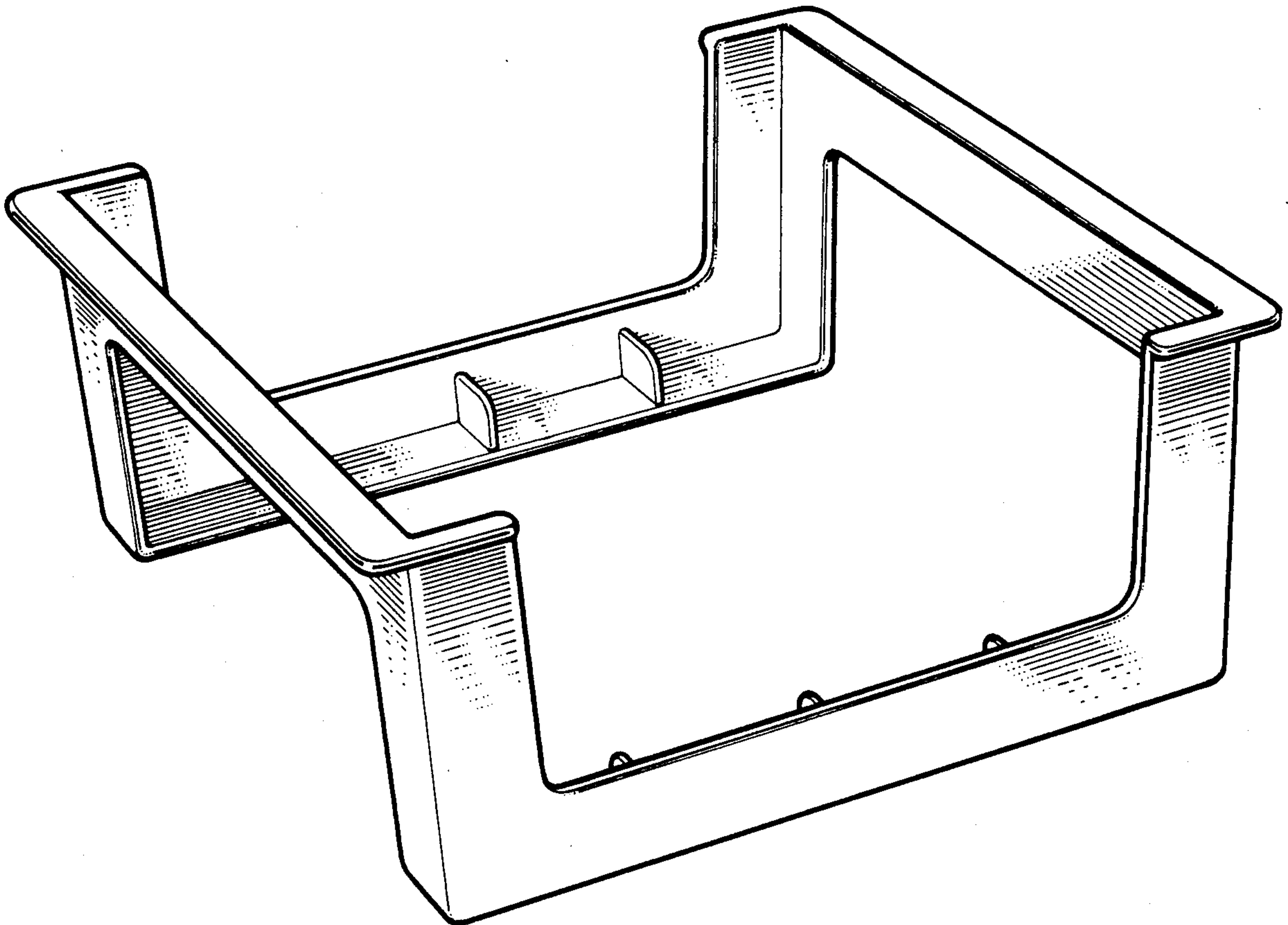
[57]

**CLAIM**

The ornamental design for a record stand, as shown.

**DESCRIPTION**

FIG. 1 is a perspective view of the record stand of the invention,  
FIG. 2 is a plan view thereof,  
FIG. 3 is a side elevation thereof, and  
FIG. 4 is a bottom view thereof.



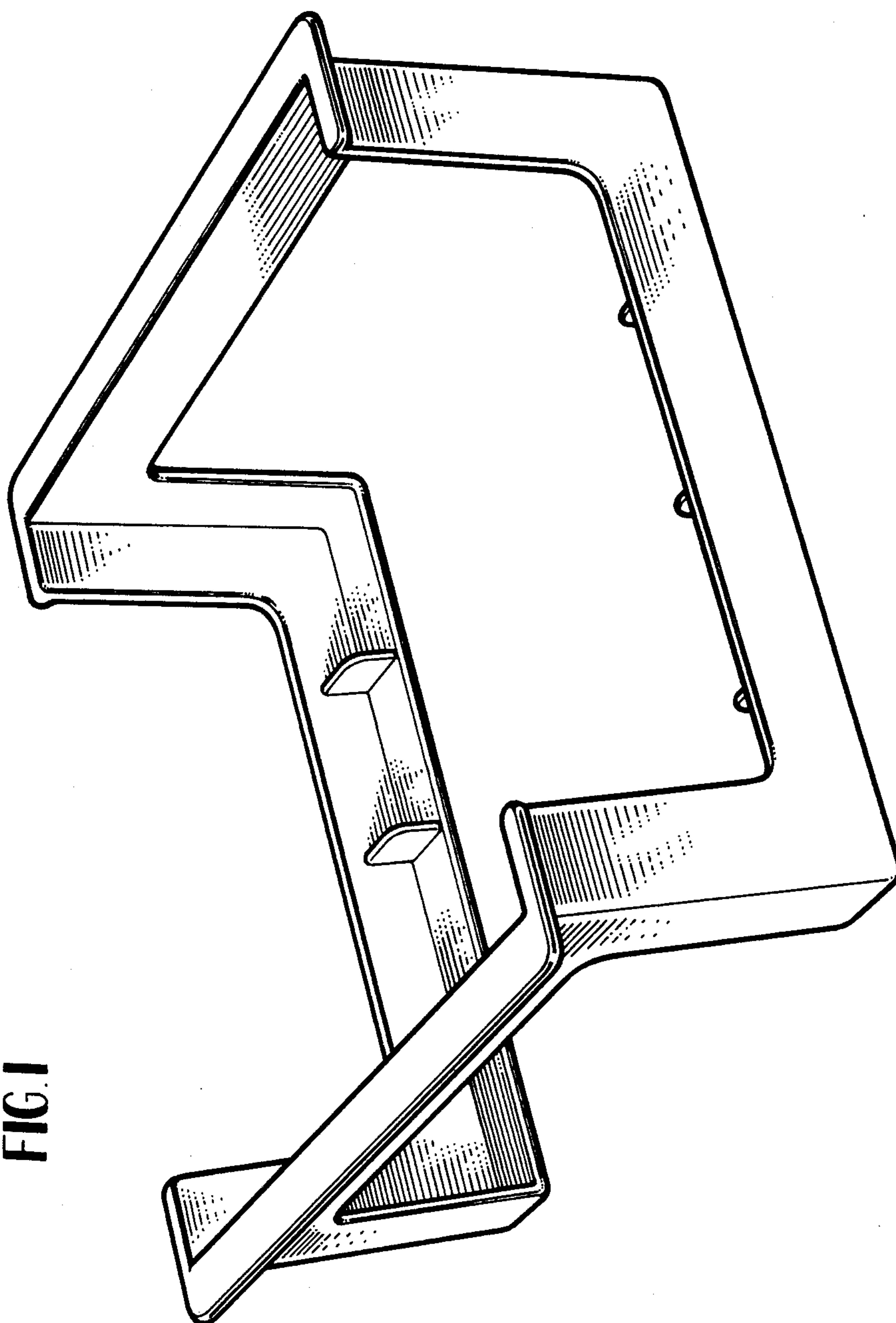


FIG. 1

FIG. 2

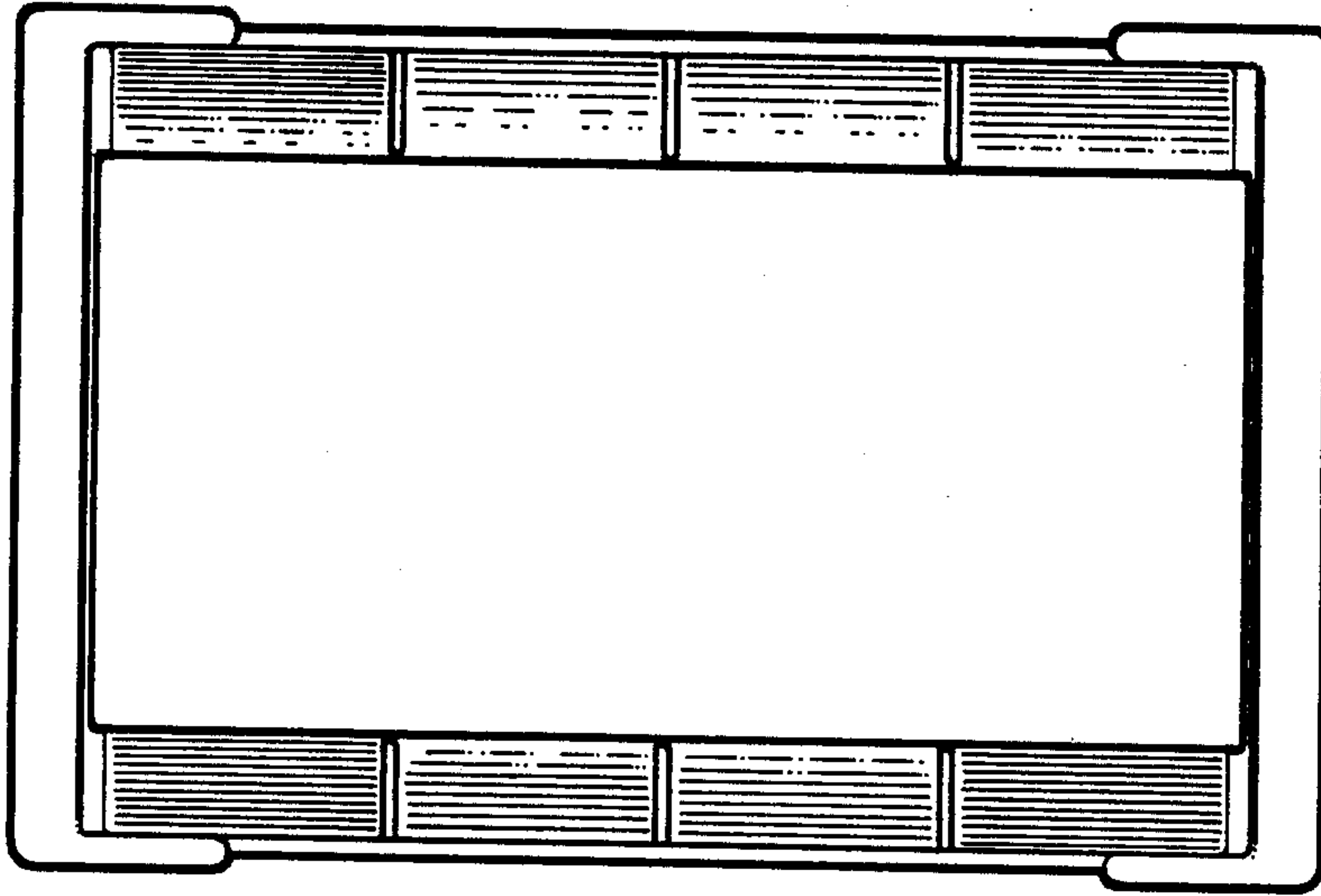


FIG. 3

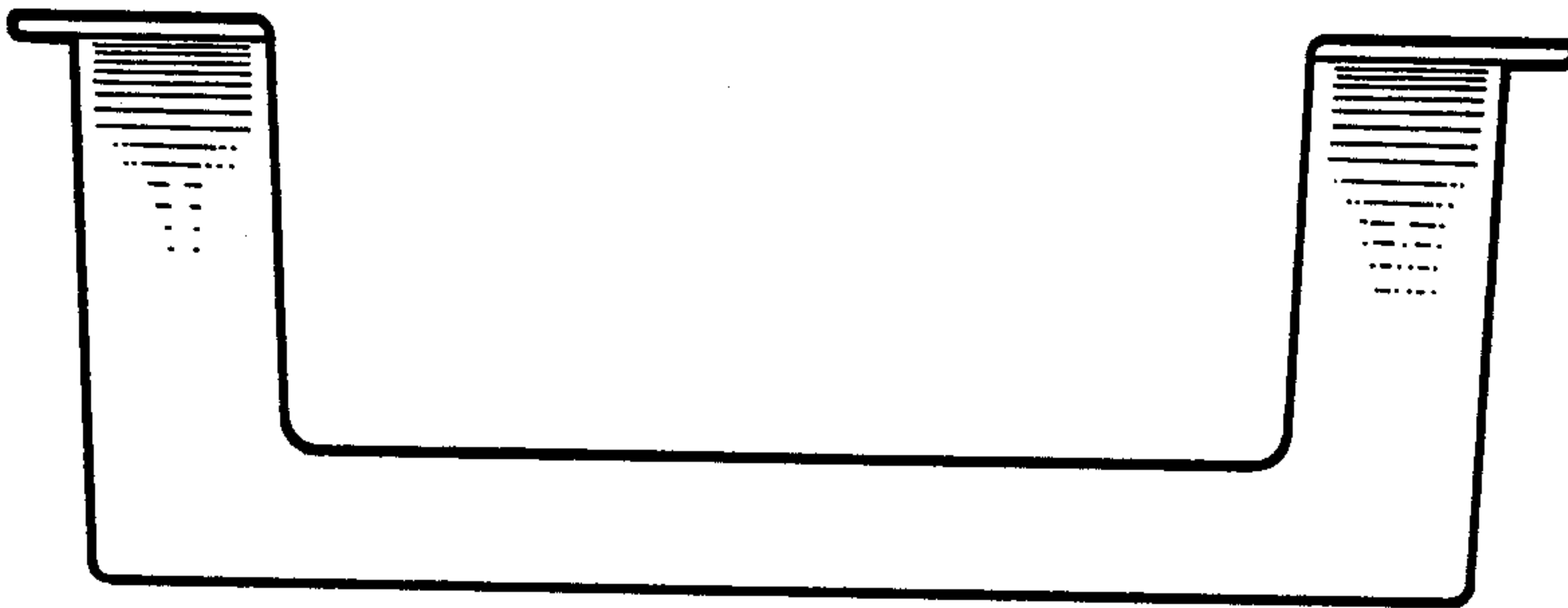


FIG. 4

