

[54] TENNIS RACKET HOLDER

[76] Inventor: George M. Domansky, 5037 Montclair Road, Stone Mountain, Ga. 30087

[**] Term: 7 Years

[21] Appl. No.: 740,233

[22] Filed: Nov. 9, 1976

[51] Int. Cl. D6-04

[52] U.S. Cl. D6/114

[58] Field of Search D6/85, 88, 113, 114, D6/116-118, 120, 122, 123, 125, 127, 129, 130, 132, 137, 126; D8/233, 246; D11/132, 140; 211/13, 40, 60 R, 60 SK, 87

[56] References Cited

U.S. PATENT DOCUMENTS

379,961	3/1888	Lansing	211/87
D. 147,913	11/1947	Lewis	D6/132
D. 233,385	10/1974	Friedman	D6/88
D. 241,144	8/1976	Davis	D6/125

OTHER PUBLICATIONS

Grand Prix Trophies Inc., Cat No. 20-65, 2/2/65, p. 20, plaque 2066.

Primary Examiner—Wallace R. Burke

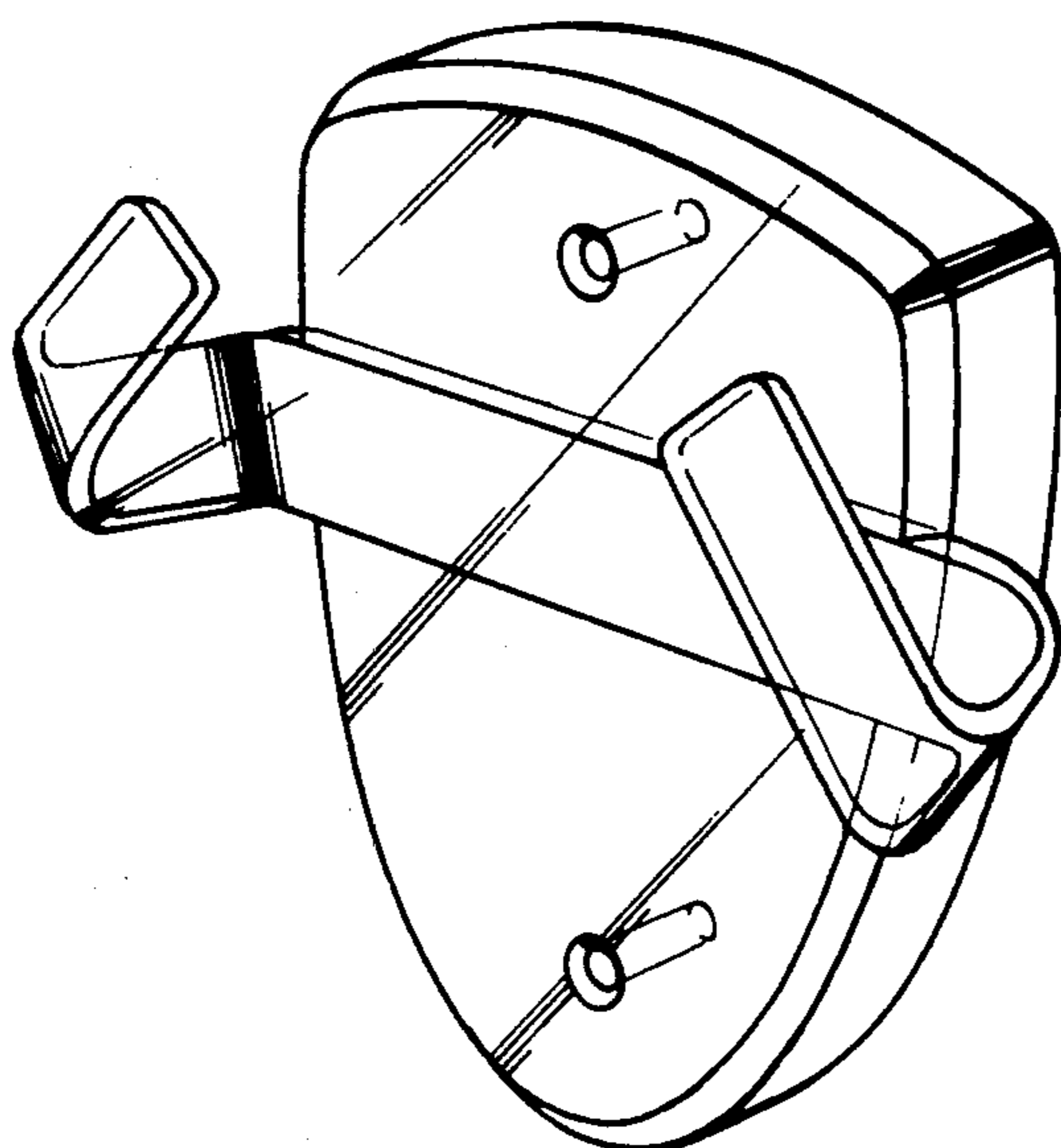
Assistant Examiner—B. J. Bullock
Attorney, Agent, or Firm—John C. Lockwood

[57] CLAIM

The ornamental design for a tennis racket holder, substantially as shown and described.

DESCRIPTION

FIG. 1 is a perspective view of a tennis racket holder showing my new design;
 FIG. 2 is a front elevational view of FIG. 1;
 FIG. 3 is a bottom plan view of FIG. 1;
 FIG. 4 is a top plan view of FIG. 1;
 FIG. 5 is a side elevational view of FIG. 1, the side opposite being a mirror image thereof;
 FIG. 6 is a perspective view of a second embodiment of the design of FIG. 1;
 FIG. 7 is a front elevational view of FIG. 6;
 FIG. 8 is a bottom plan view of FIG. 6;
 FIG. 9 is a top plan view of FIG. 6;
 FIG. 10 is a side elevational view of FIG. 6, the side opposite being a mirror image thereof;
 FIG. 11 is a perspective view of a third embodiment of the design of FIG. 1;
 FIG. 12 is a front elevational view of FIG. 11;
 FIG. 13 is a bottom plan view of FIG. 11;
 FIG. 14 is a top plan view of FIG. 11;
 FIG. 15 is a side elevational view of FIG. 11, the side opposite being a mirror image thereof.



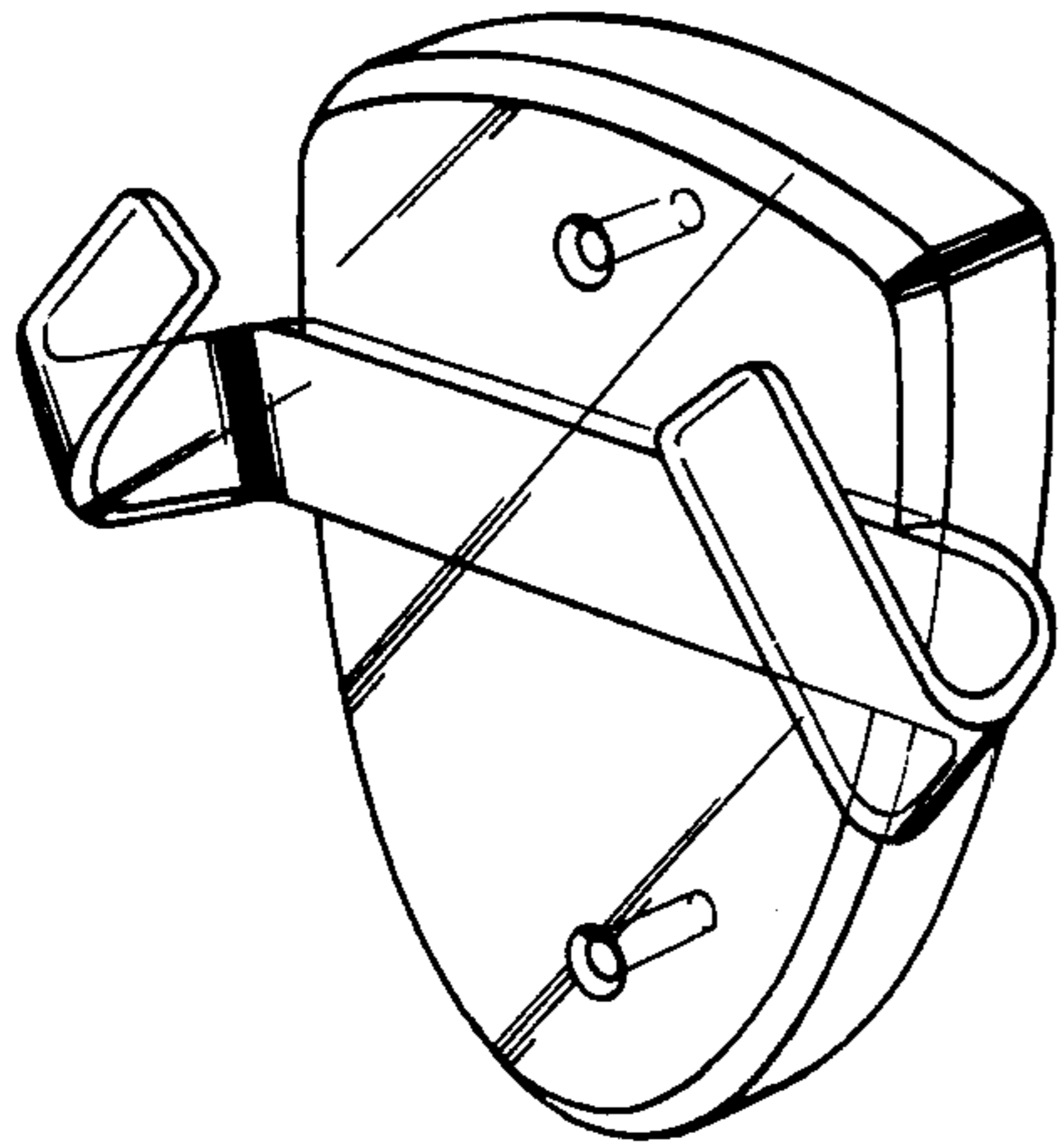


FIG 1

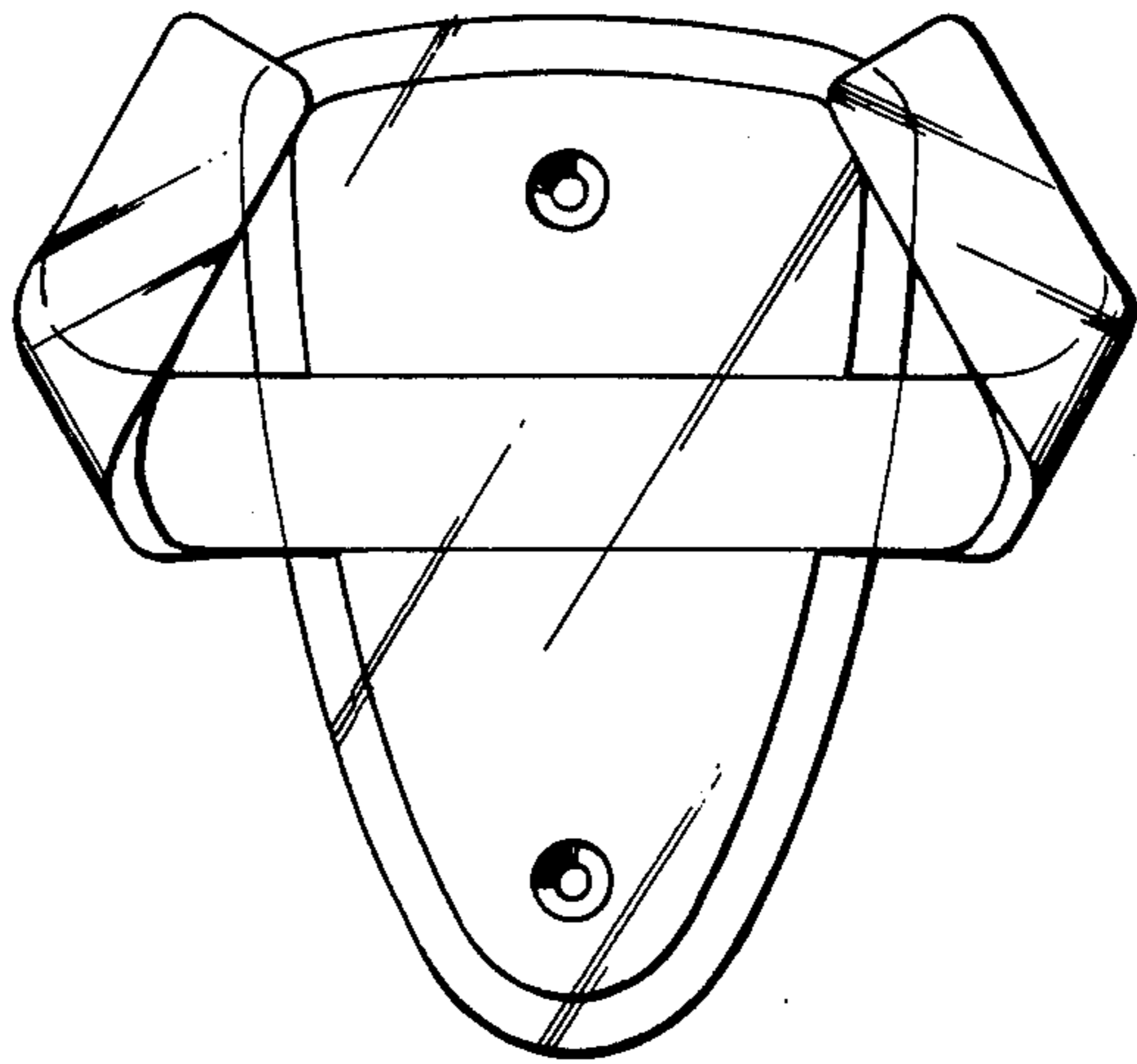


FIG 2

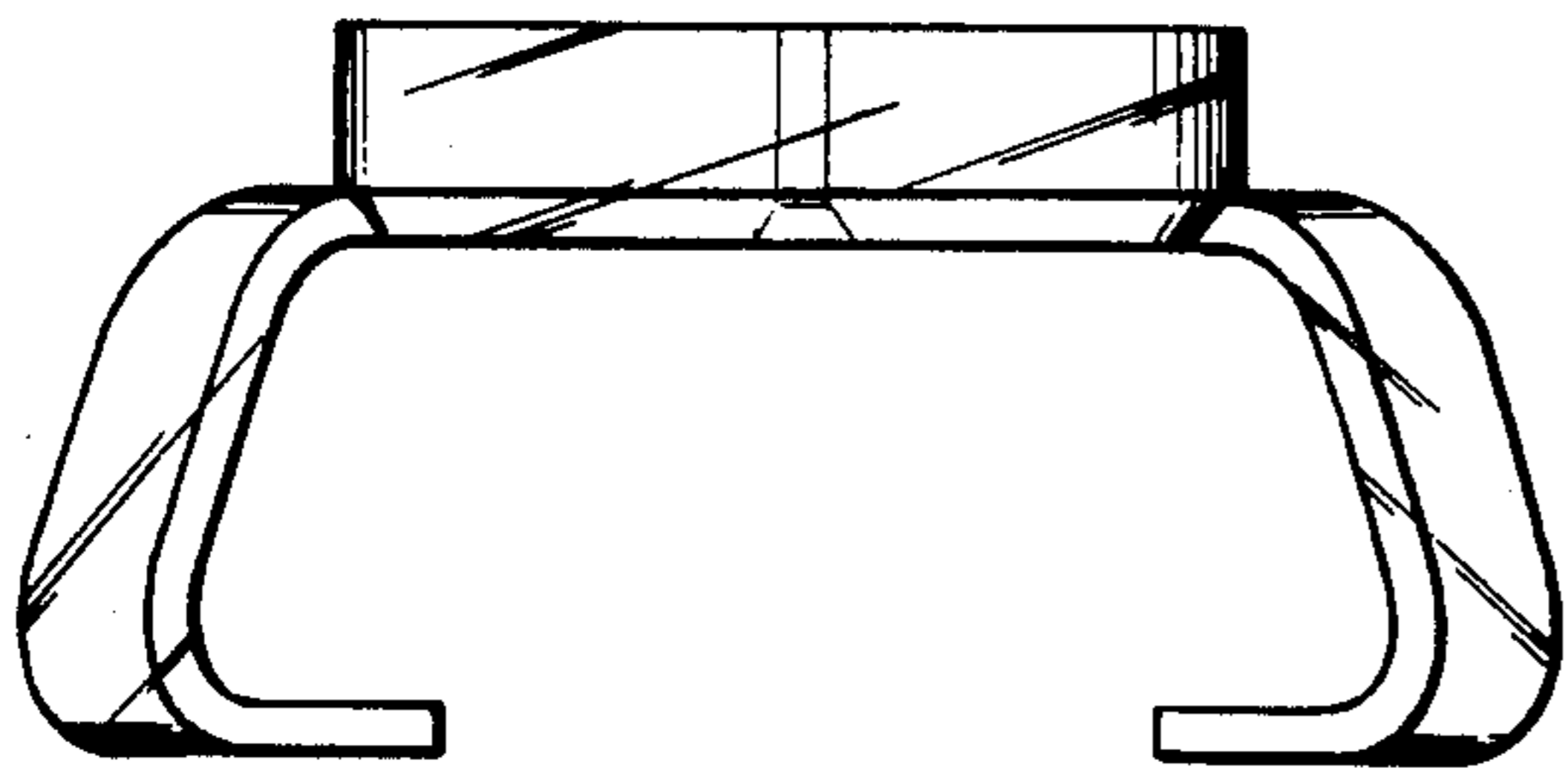


FIG 3

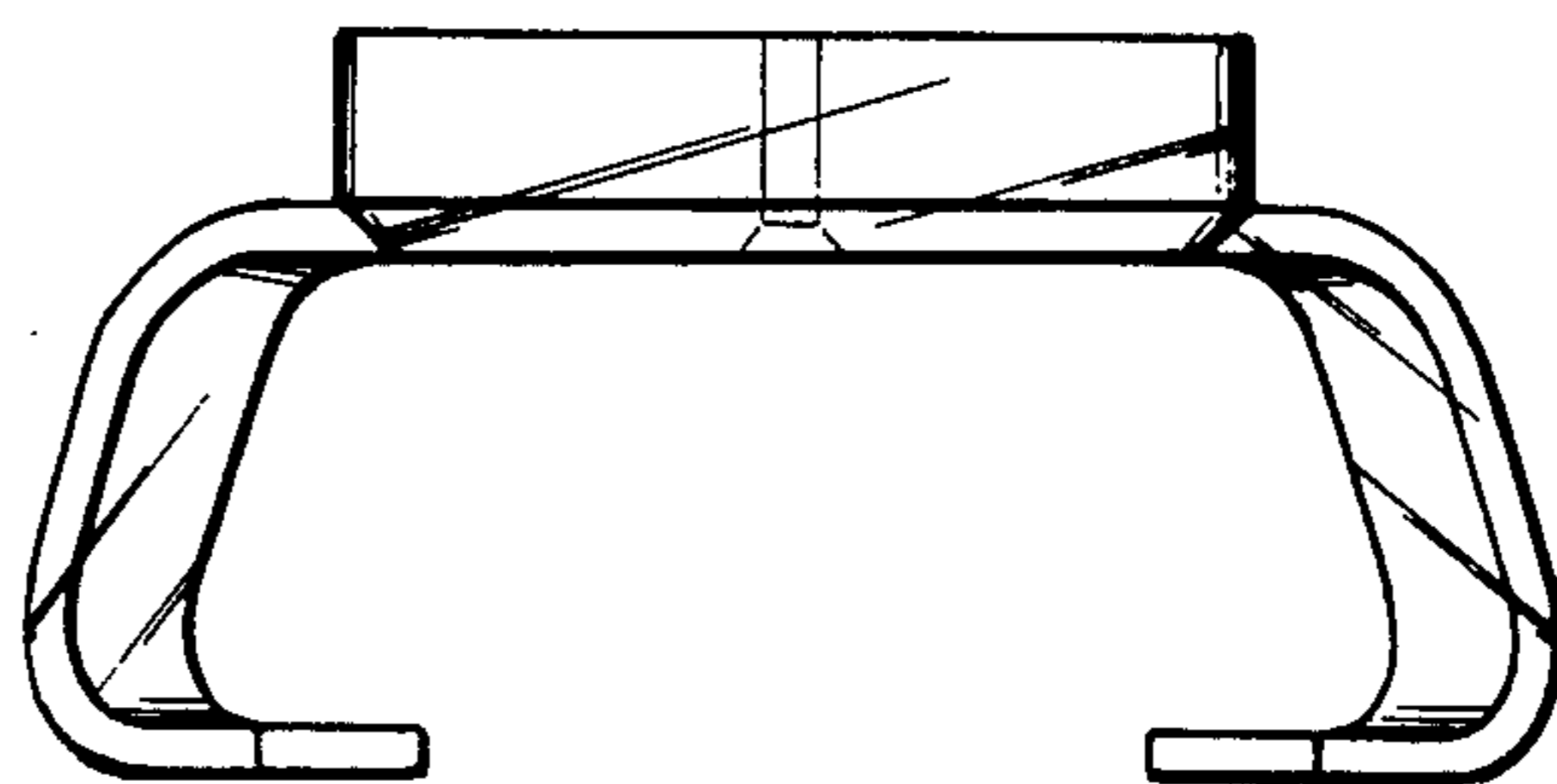


FIG 4

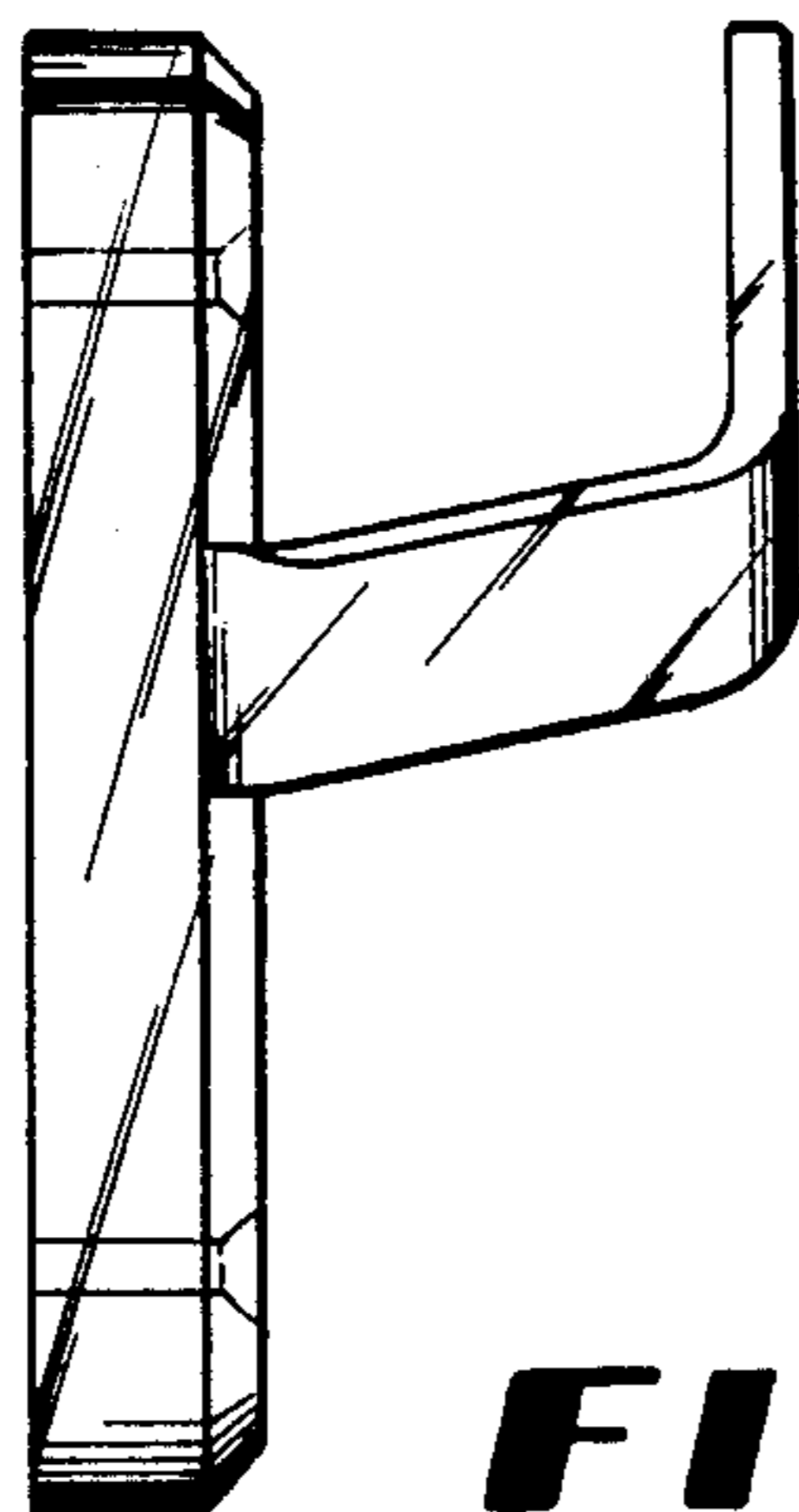


FIG 5

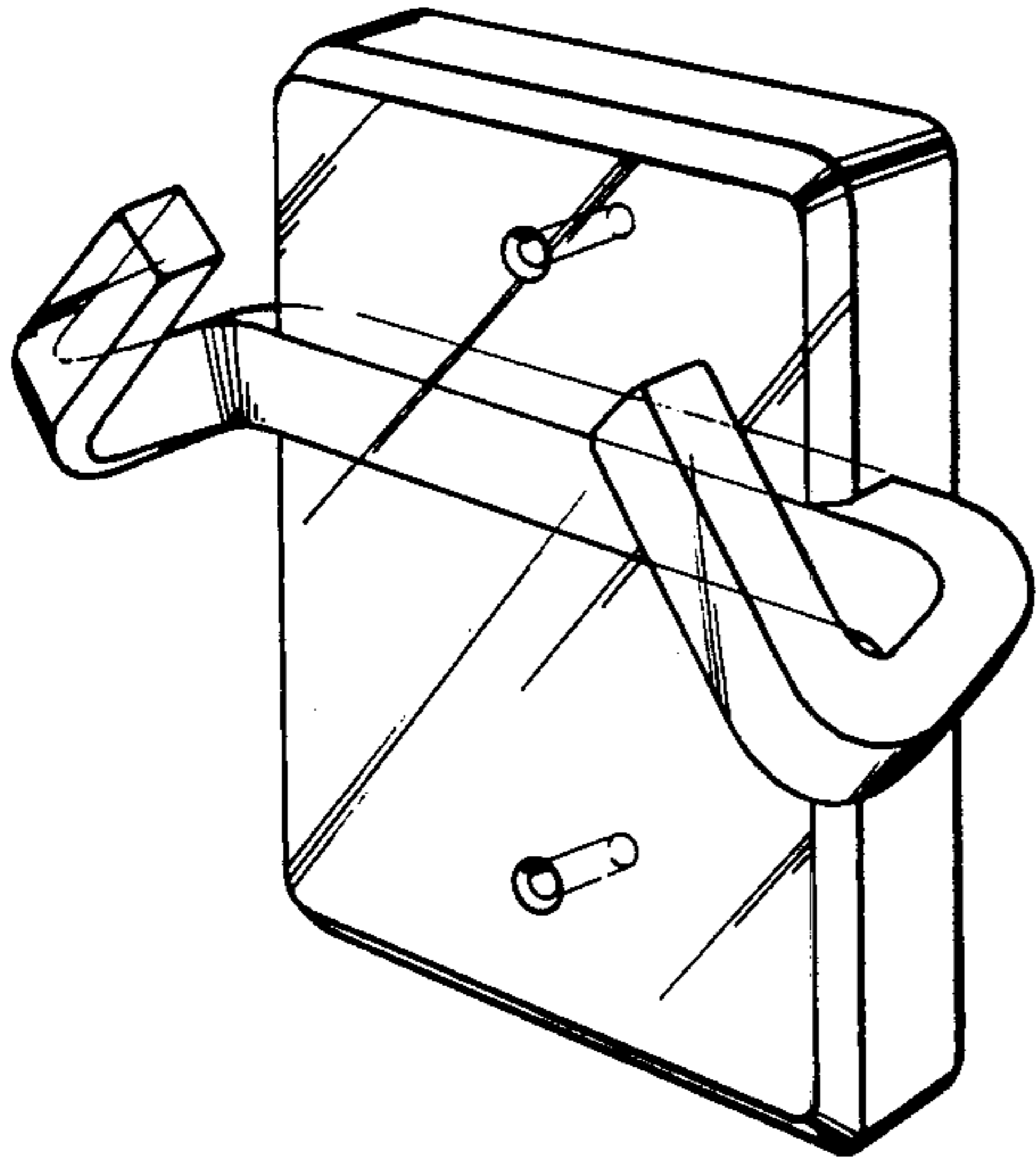


FIG 6

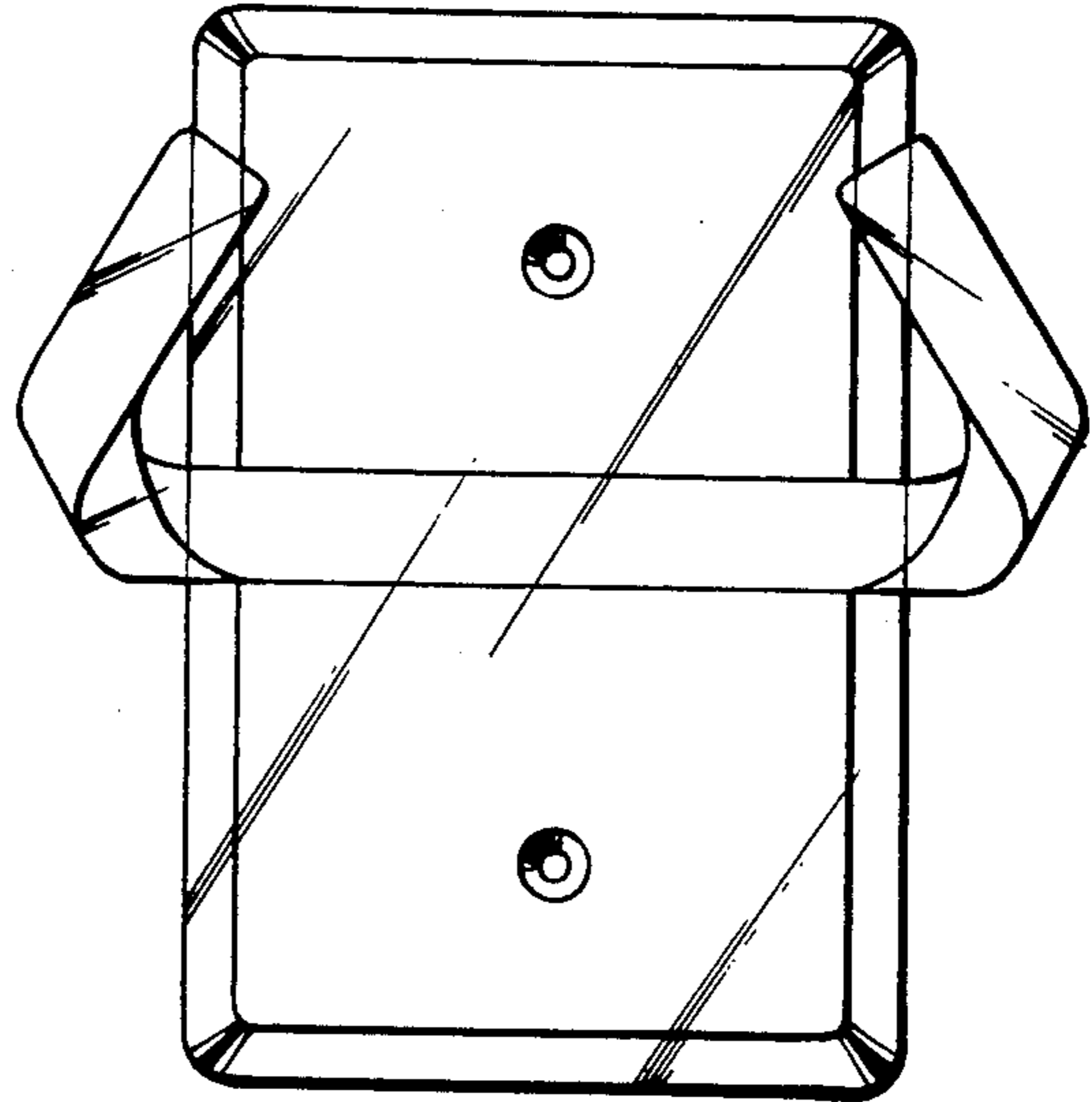


FIG 7

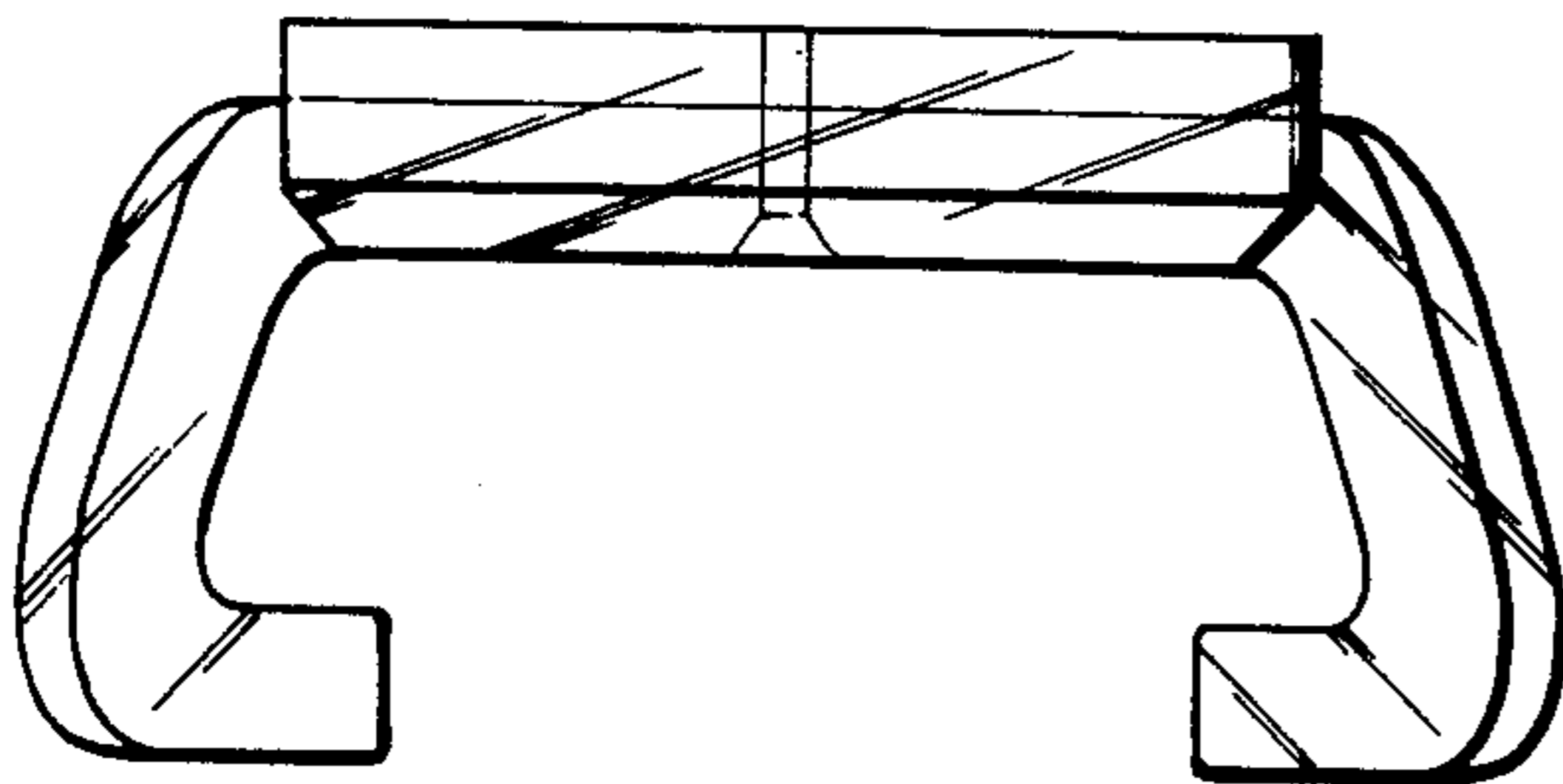


FIG 8

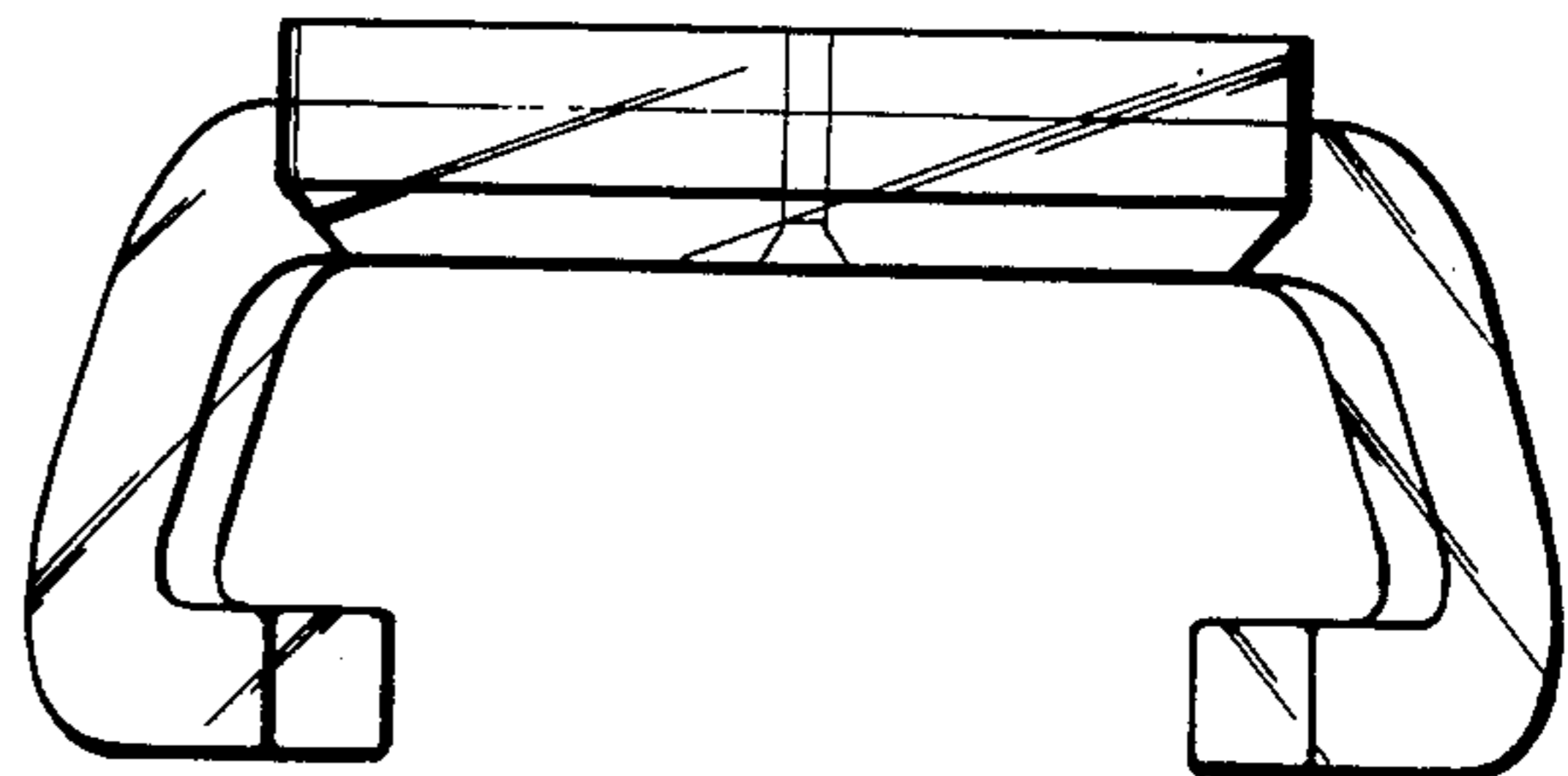


FIG 9

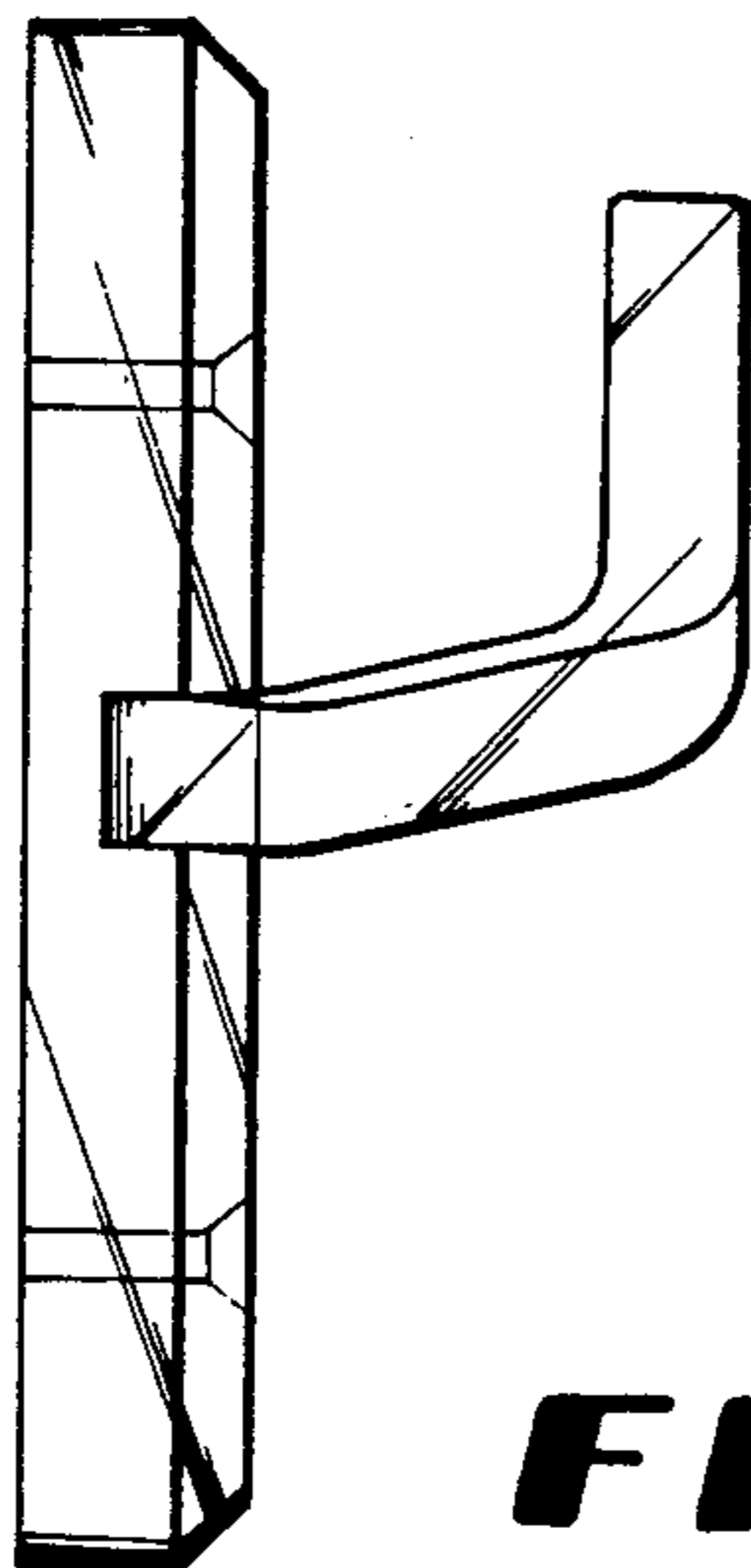


FIG 10

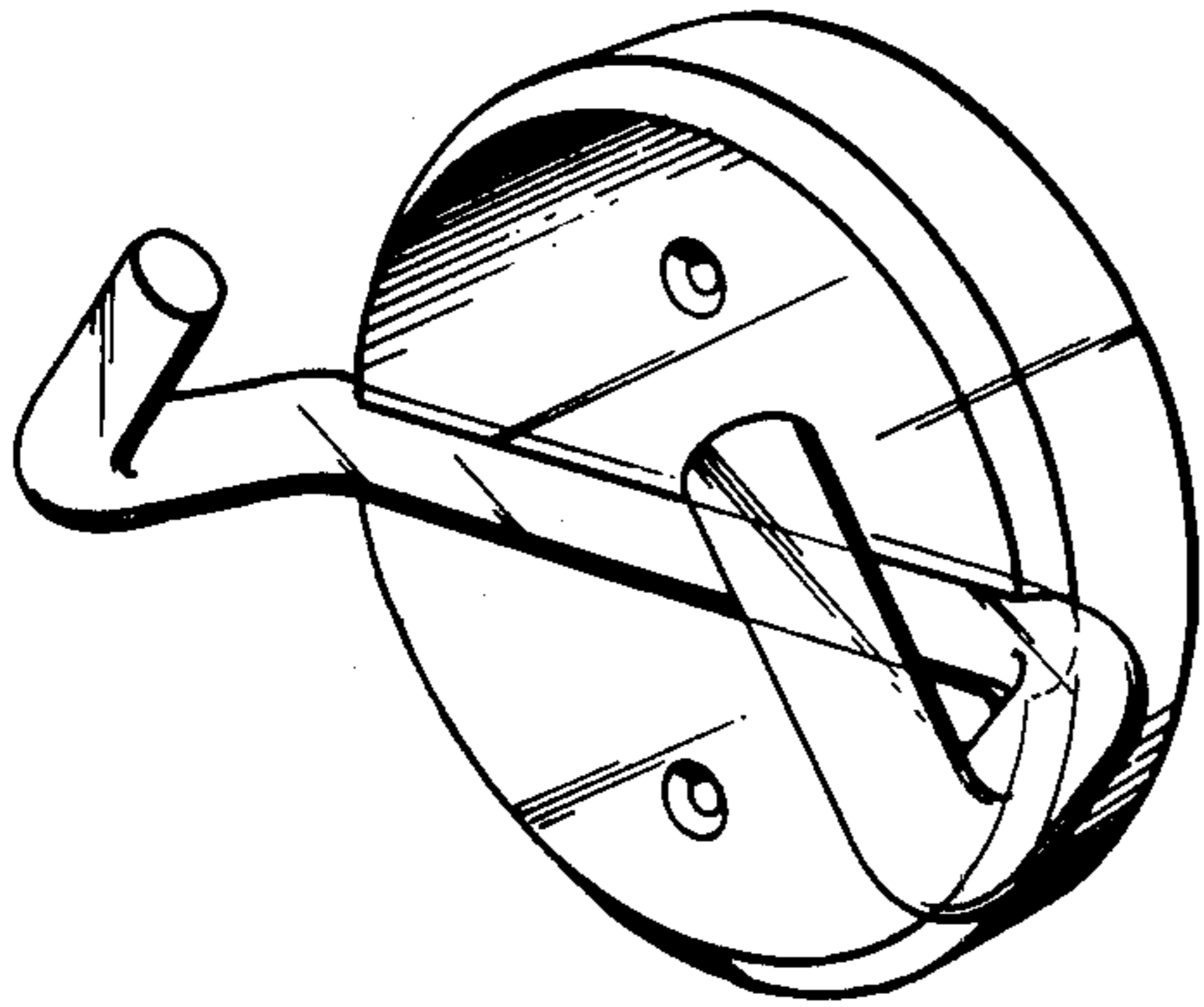


FIG 11

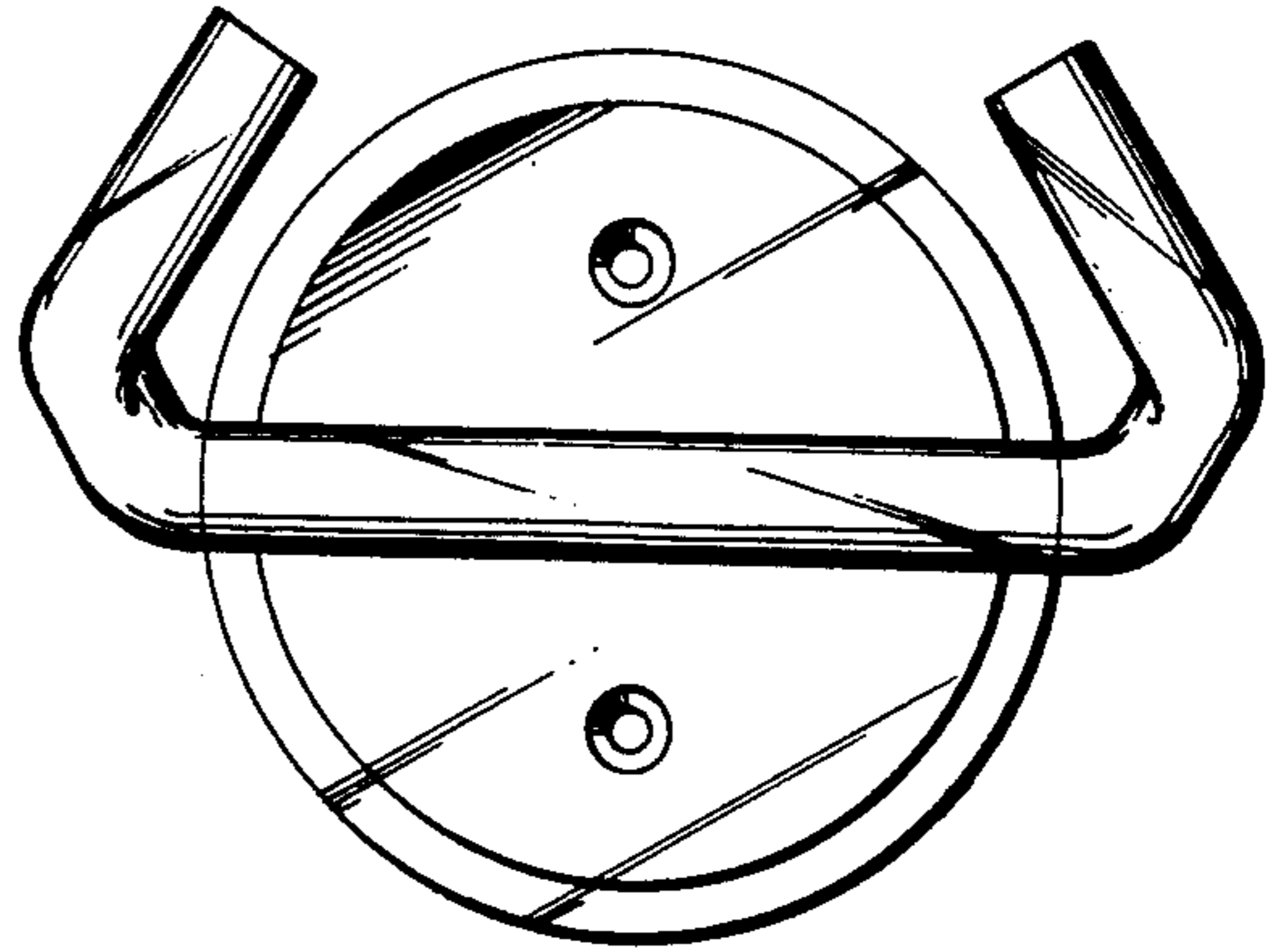


FIG 12

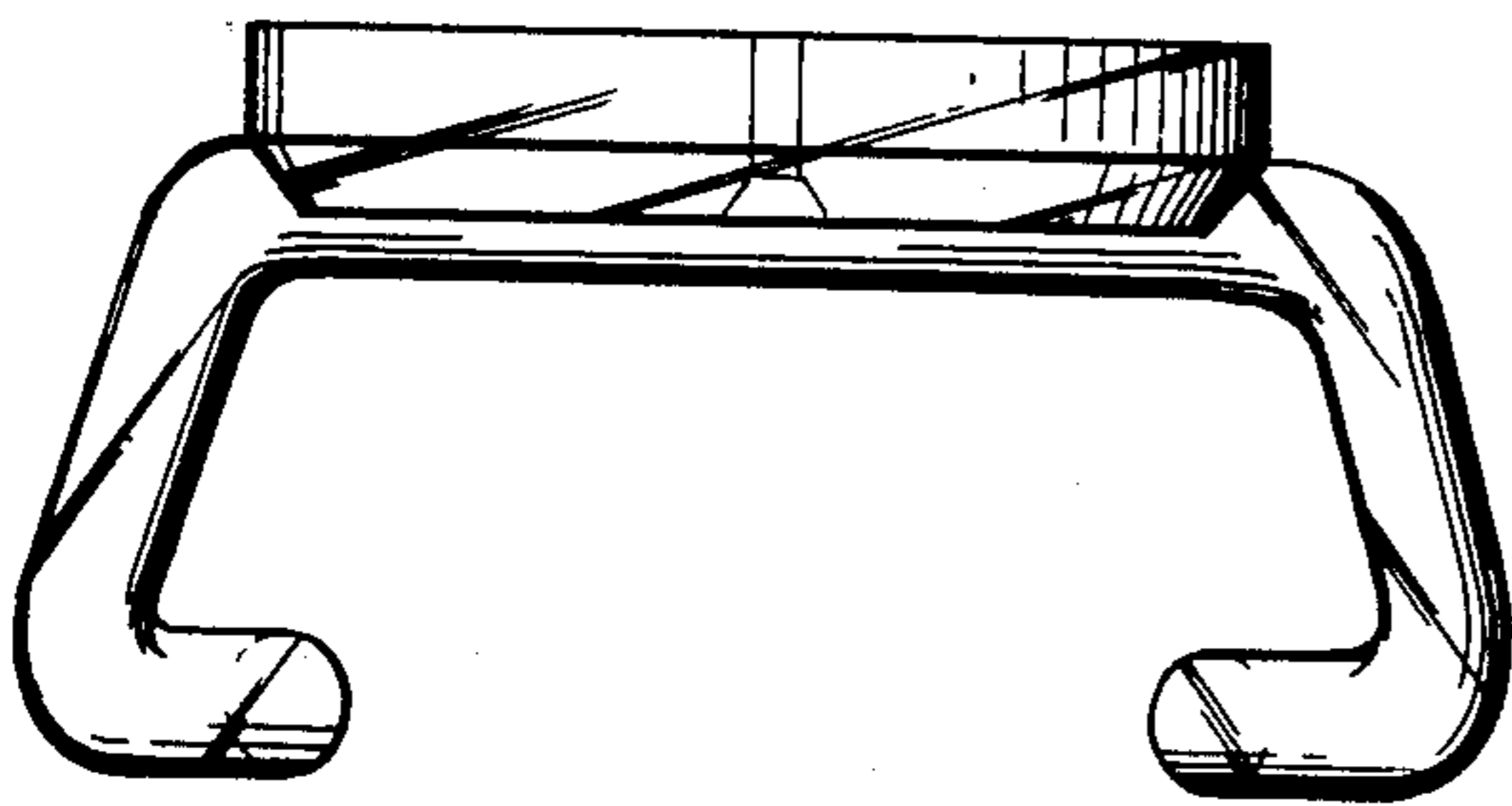


FIG 13

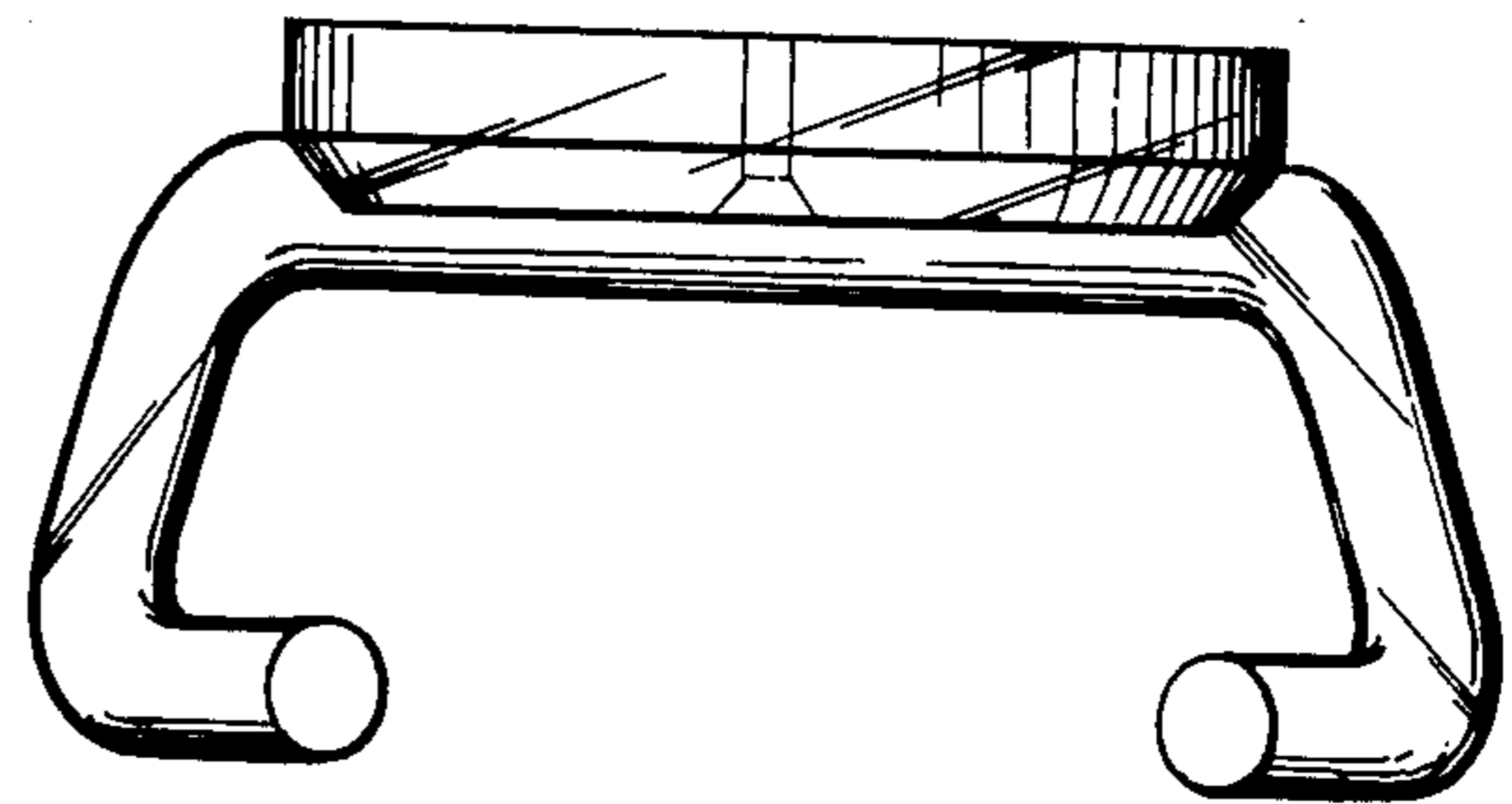


FIG 14

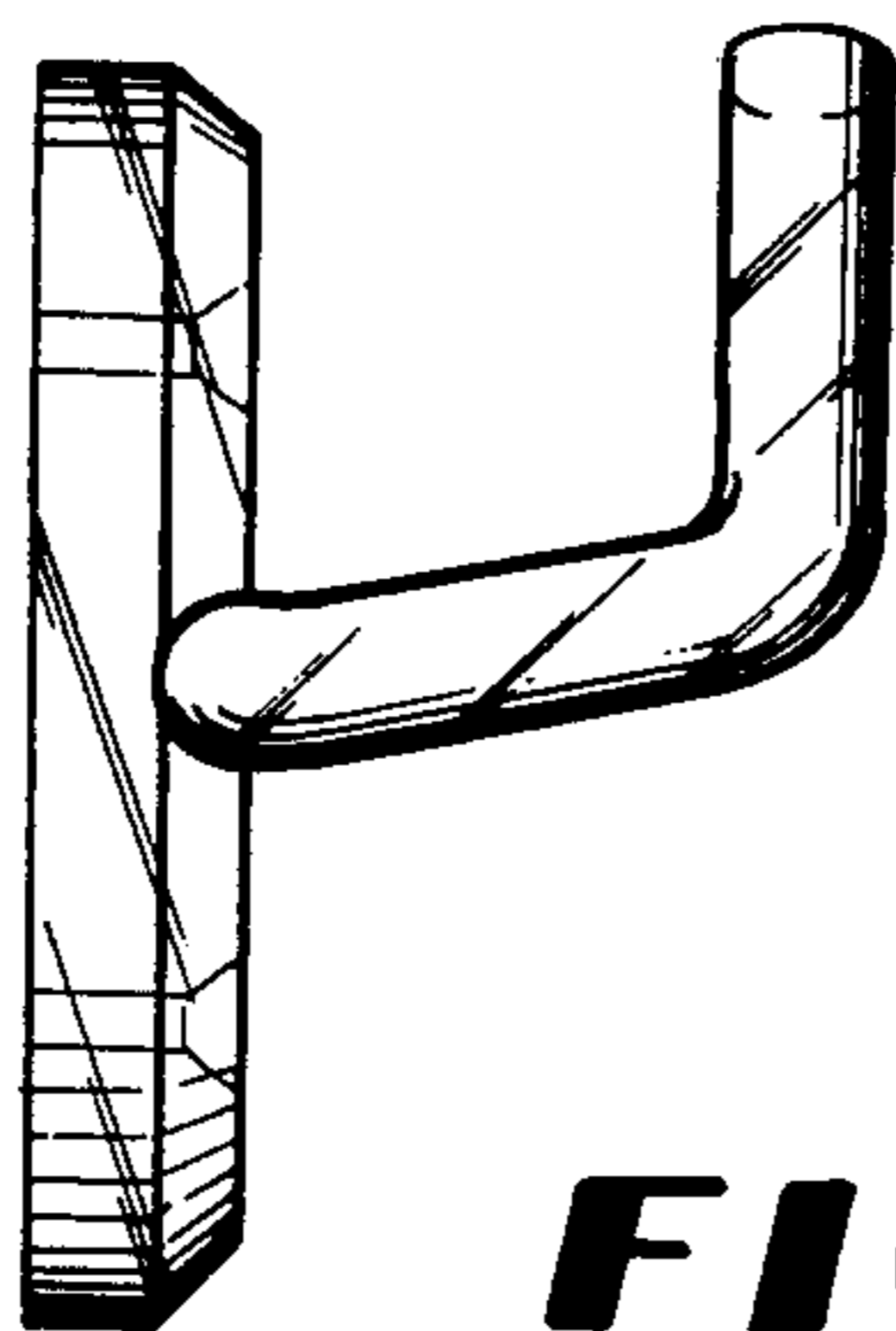


FIG 15