

[54] SURGICAL LANCET

[75] Inventor: Michael D. Thomas, Arab, Ala.

[73] Assignee: Ryder International Corporation, Schaumburg, Ill.

[\*\*] Term: 14 Years

[21] Appl. No.: 661,403

[22] Filed: Feb. 25, 1976

[51] Int. Cl. .... D24-02; D24-04

[52] U.S. Cl. .... D24/28

[58] Field of Search ..... 128/305, 314, 2 G; 30/293; D83/12 R; D8/99

[56] References Cited

U.S. PATENT DOCUMENTS

2,711,738	6/1955	Kelly et al. ....	128/314
3,712,293	1/1973	Mielke, Jr. ....	128/2 G
3,760,809	9/1973	Campbell, Jr. ....	128/314

D. 228,815 10/1973 Campbell, Jr. .... D83/12 R

Primary Examiner—Bernard Ansher  
Attorney, Agent, or Firm—Richard R. Trexler

[57] CLAIM

The ornamental design for a surgical lancet, substantially as shown and described.

DESCRIPTION

FIG. 1 is a front perspective view of a surgical lancet, showing my new design;  
FIG. 2 is a front elevation thereof;  
FIG. 3 is a rear elevation thereof;  
FIG. 4 is a top plan view thereof;  
FIG. 5 is an end elevation thereof;  
FIG. 6 is an elevation as seen from the opposite end of FIG. 5; and  
FIG. 7 is a bottom plan view thereof.  
My new design for a bleeding time device is believed adequately shown in the above-discussed FIGS. 1 - 7 of the drawings.

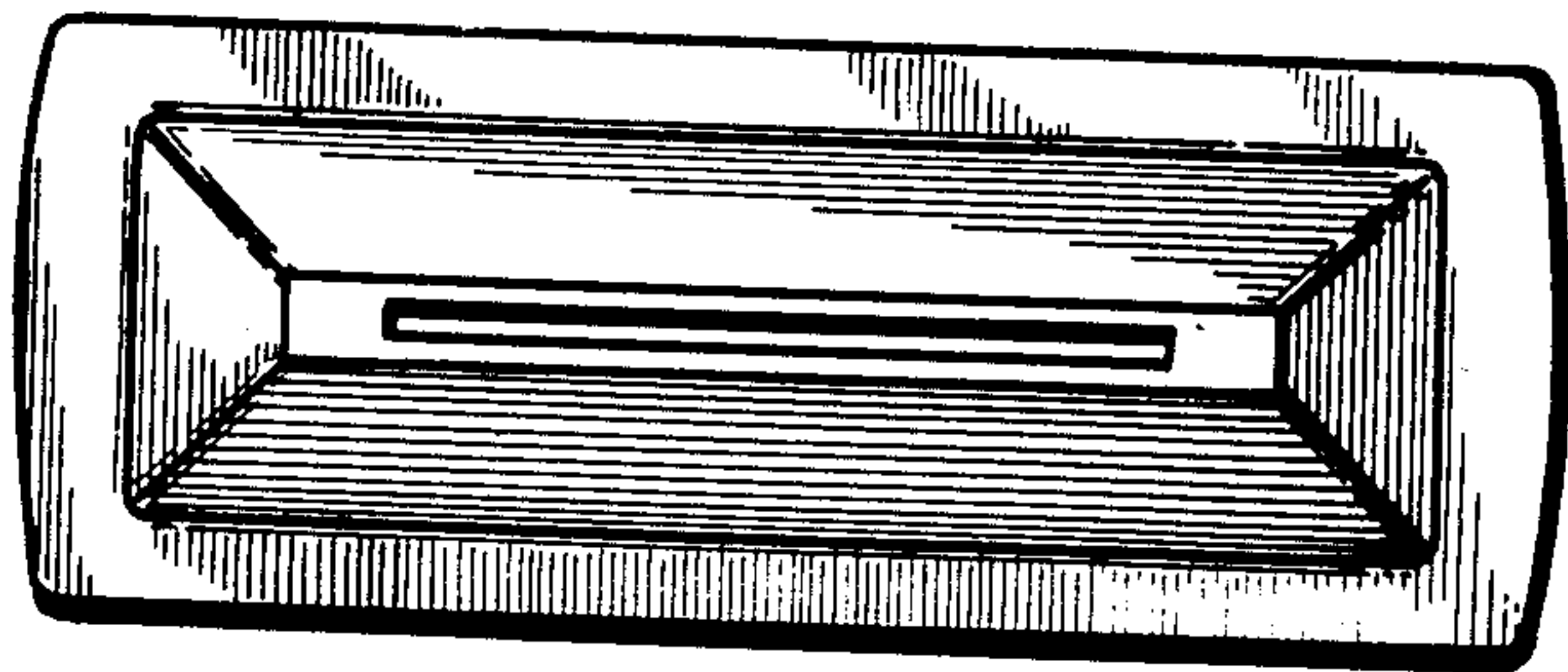
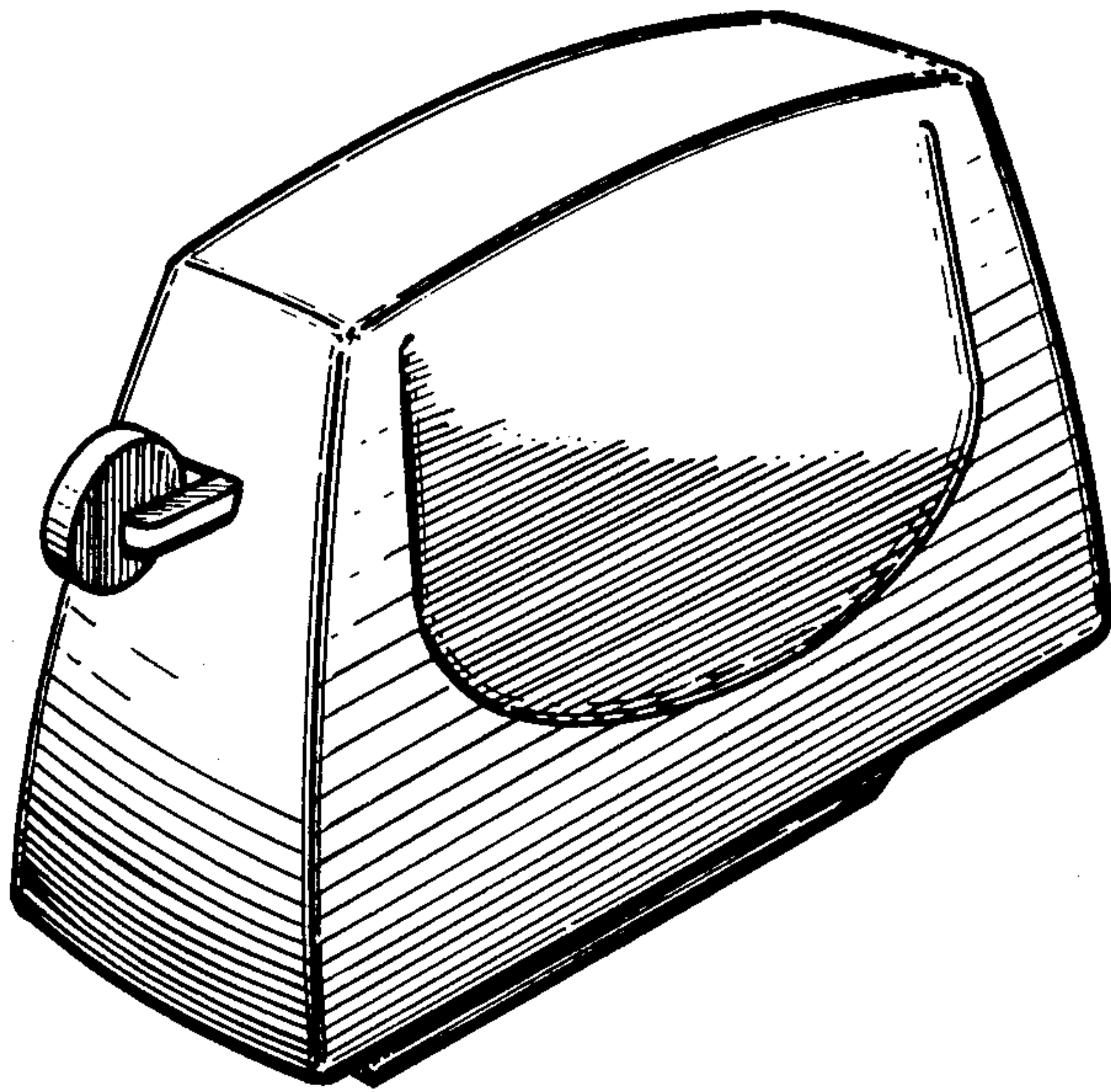


FIG. 1

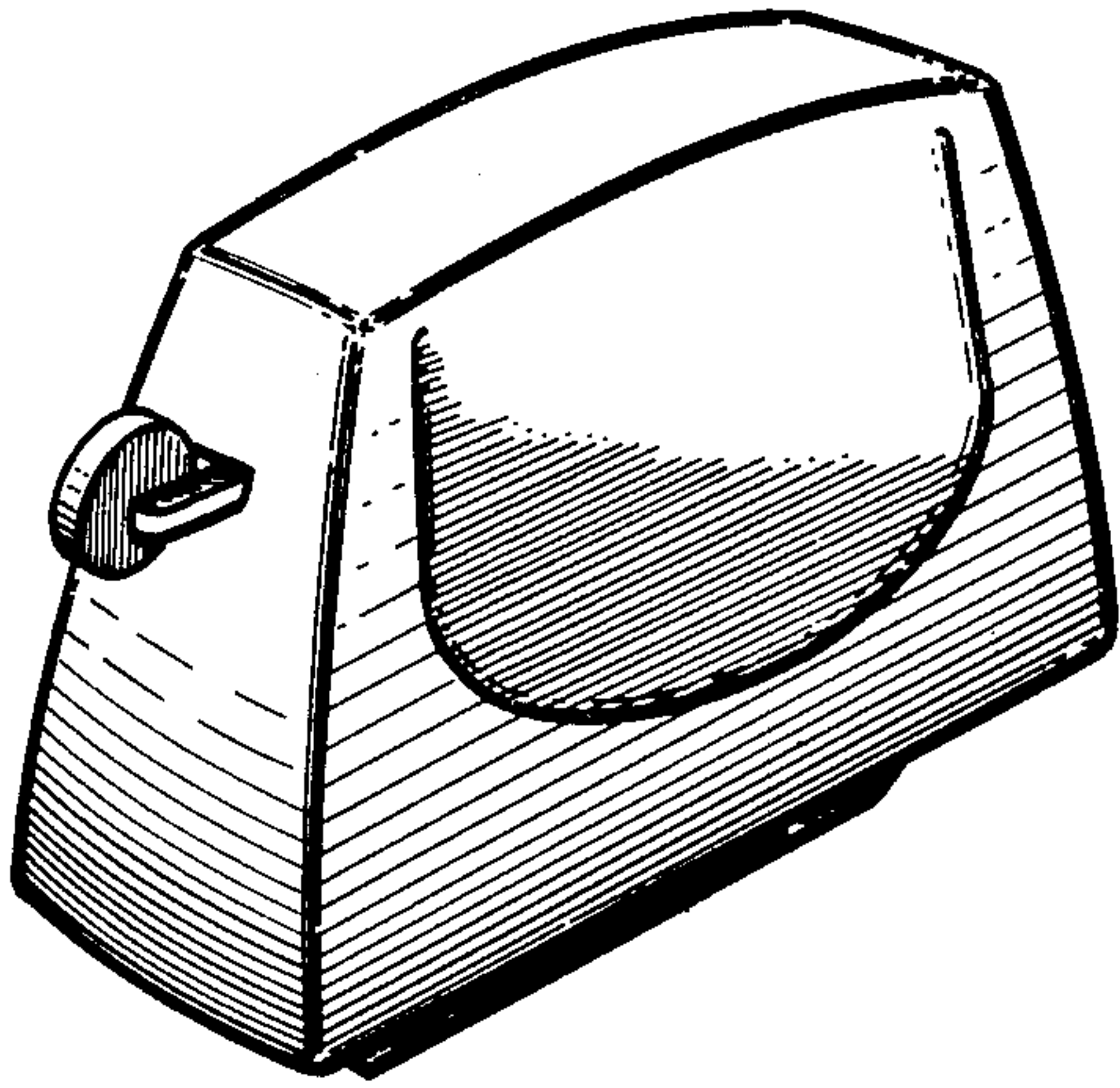


FIG. 2

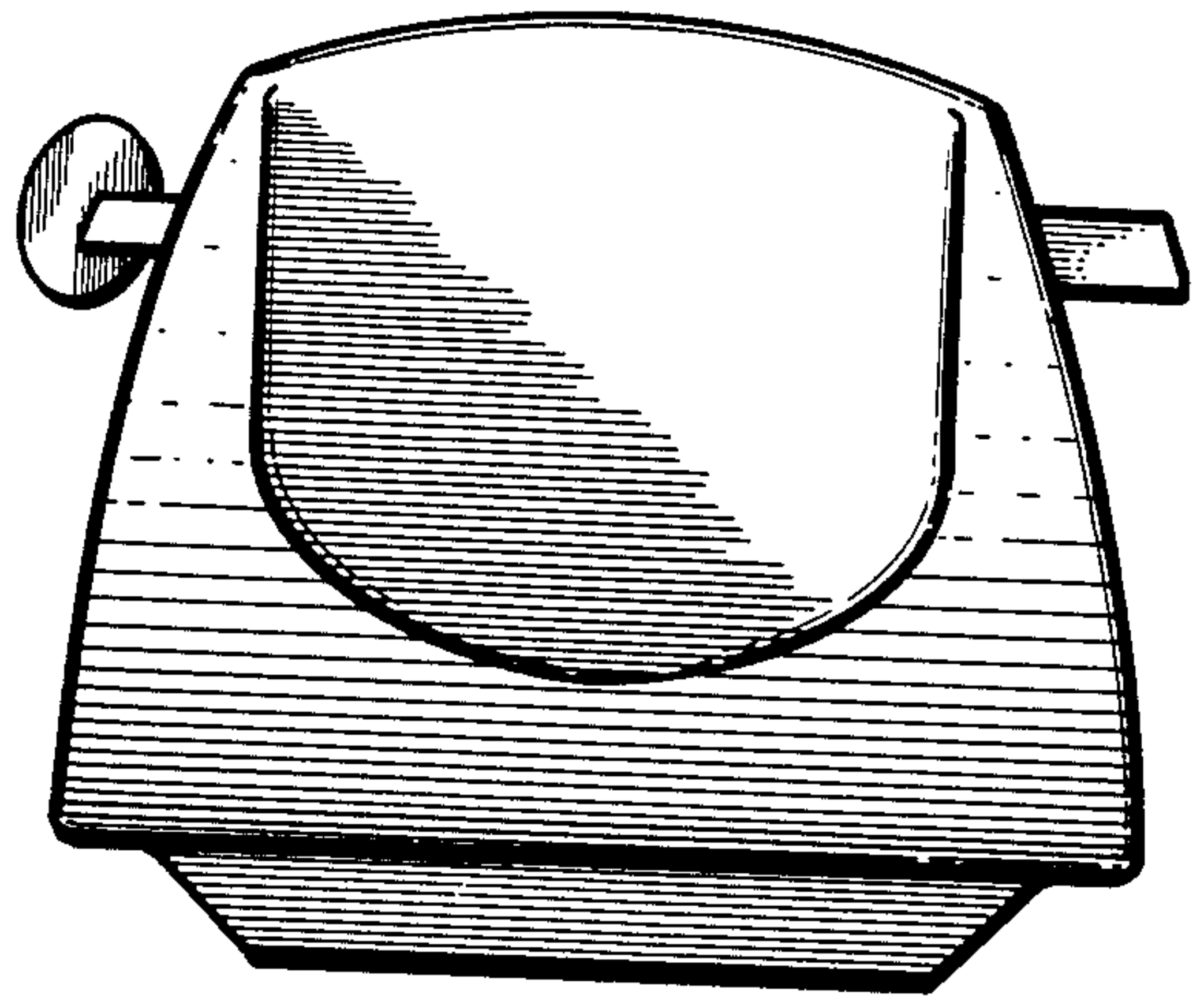


FIG. 3

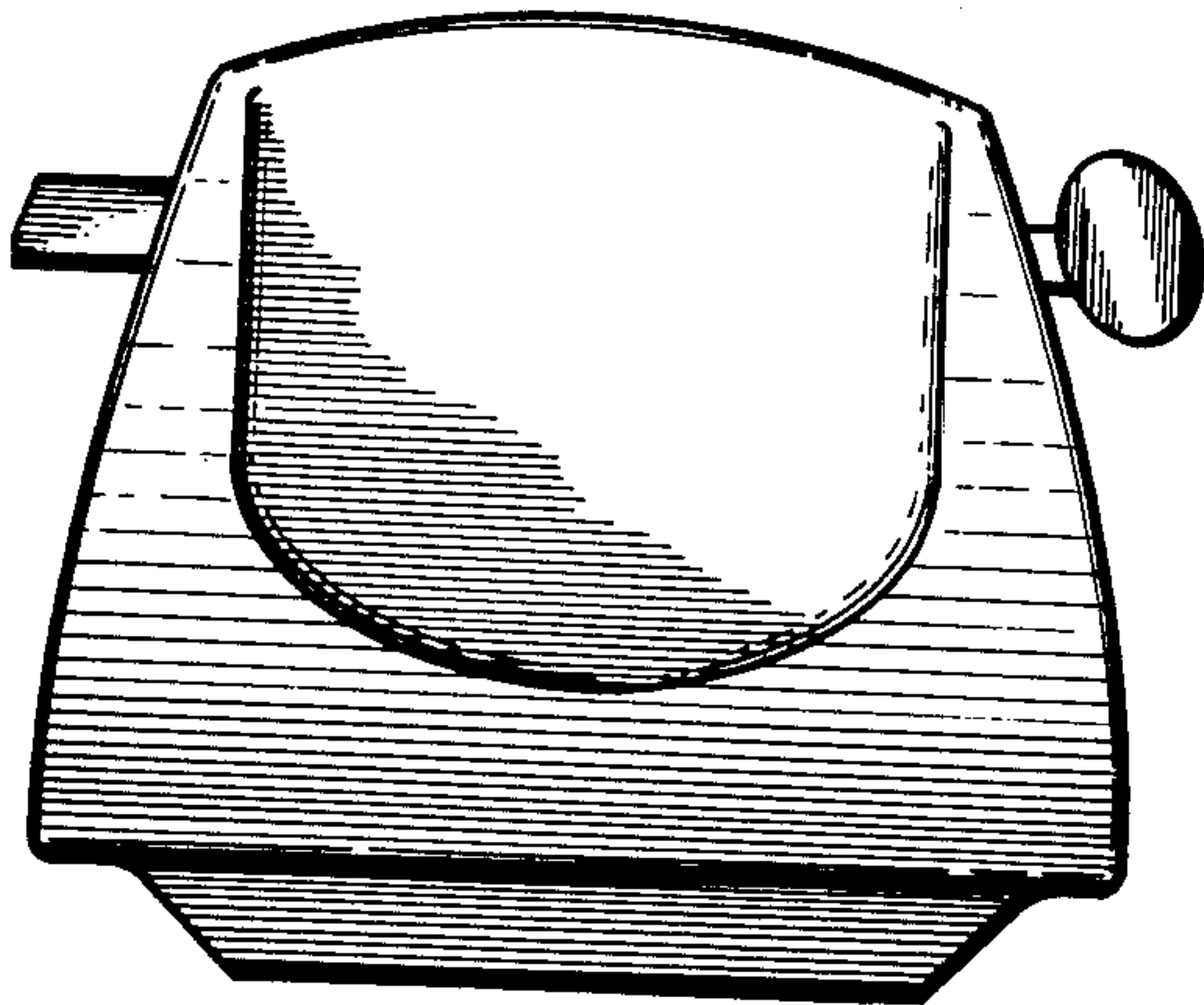


FIG. 4

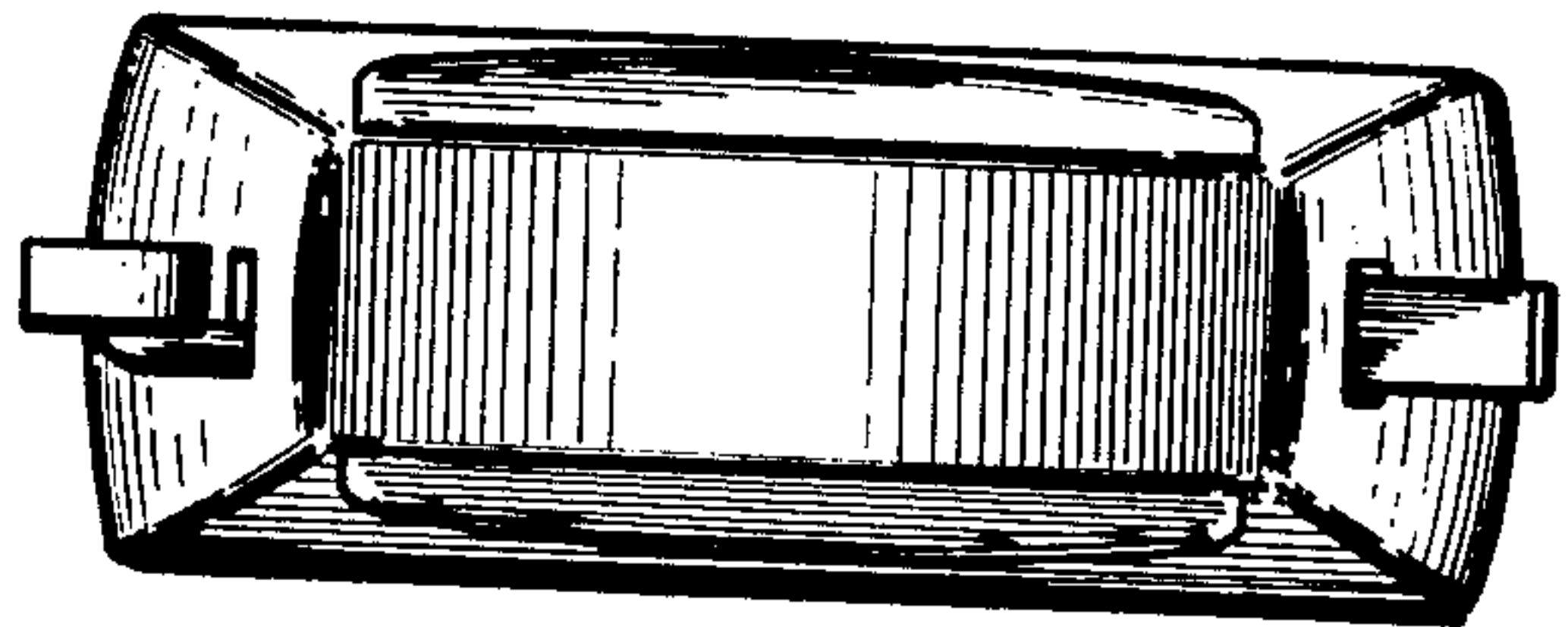


FIG. 5

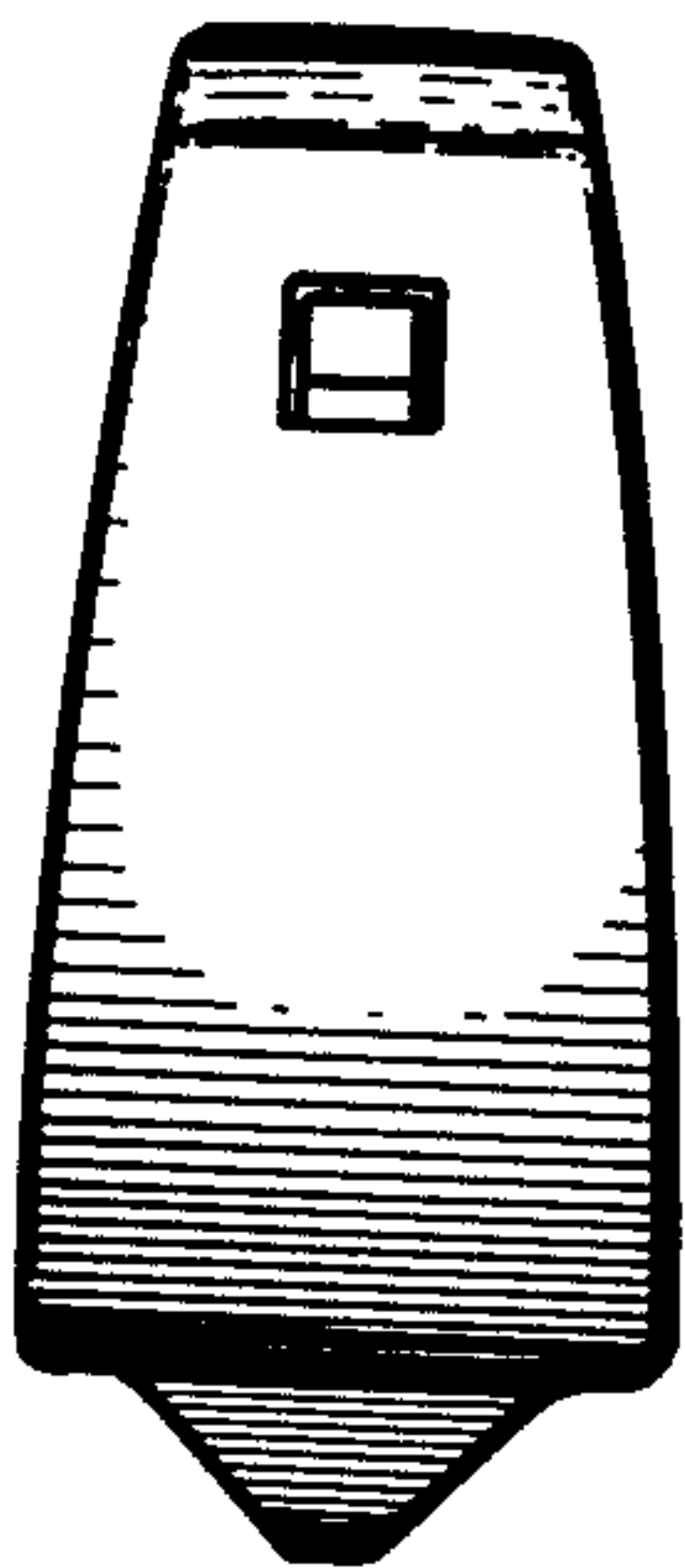


FIG. 6

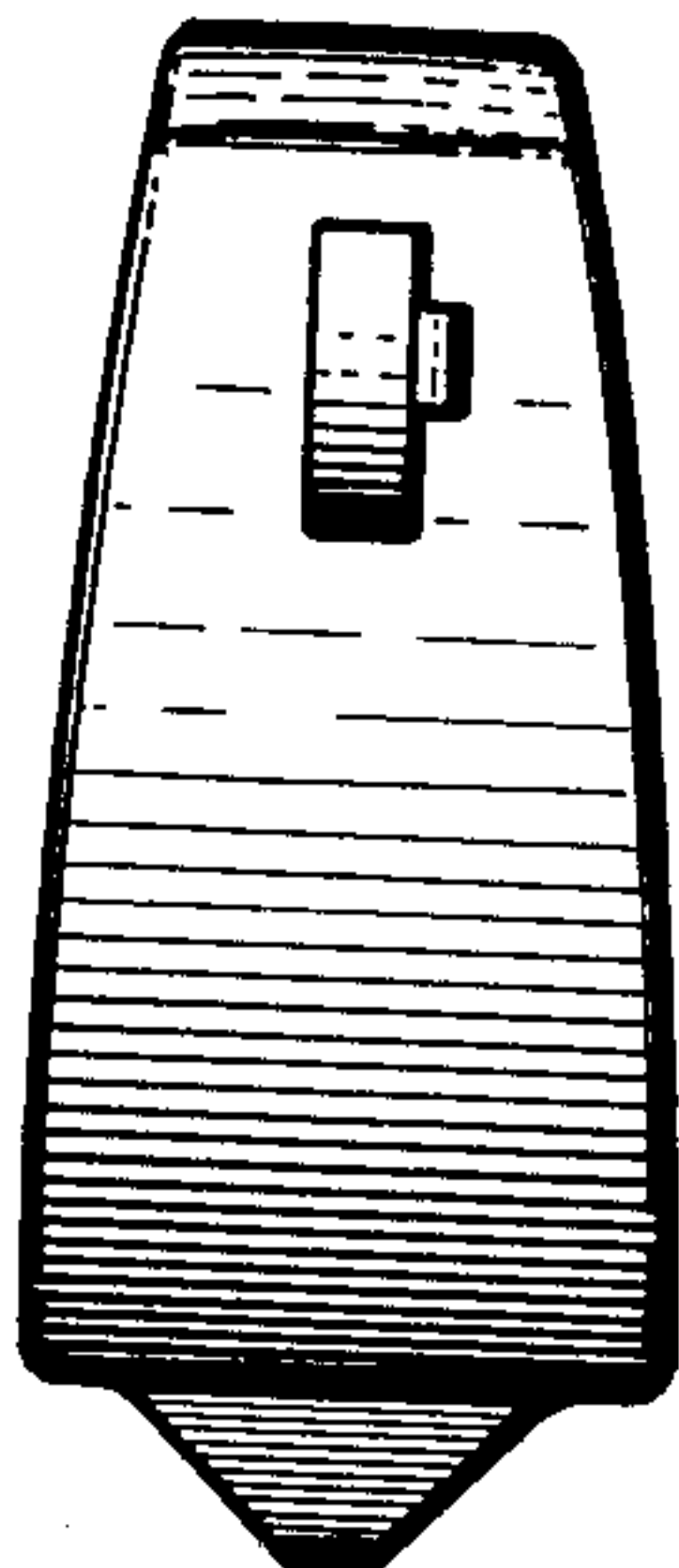


FIG. 7

