

[54] GOLF PUTTING AID

[76] Inventor: Peter James Gordon, 6, The Barons, Twickenham, Middlesex, England

[**] Term: 14 Years

[21] Appl. No.: 643,675

[22] Filed: Dec. 23, 1975

[30] Foreign Application Priority Data

June 24, 1975 United Kingdom 971611/75

[51] Int. Cl. D21-02

[52] U.S. Cl. D34/5 CB

[58] Field of Search D34/5 CB, 5 NN; 273/192

[56]

References Cited

U.S. PATENT DOCUMENTS

2,754,125	7/1956	Engler	273/192
3,332,688	7/1967	Gevertz	273/192
3,885,796	5/1975	King	273/192
3,934,874	1/1976	Henderson	273/192

Primary Examiner—Melvin B. Feifer

Attorney, Agent, or Firm—Irvin S. Thompson

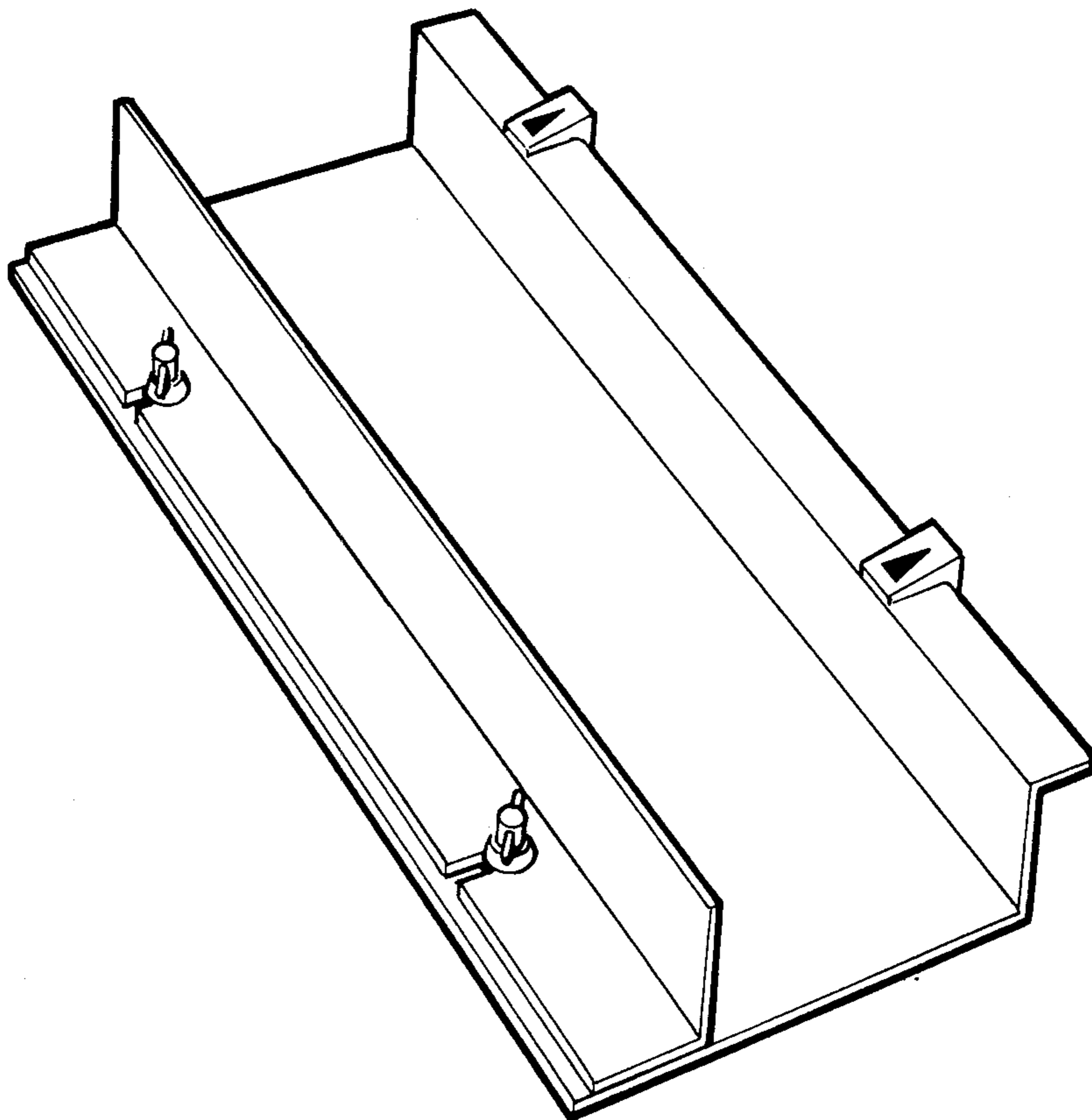
[57]

CLAIM

The ornamental design for a golf putting aid, as shown.

DESCRIPTION

FIG. 1 is a top perspective view of a golf putting aid showing my new design, and FIG. 2 is an elevational view of the right side of FIG. 1.



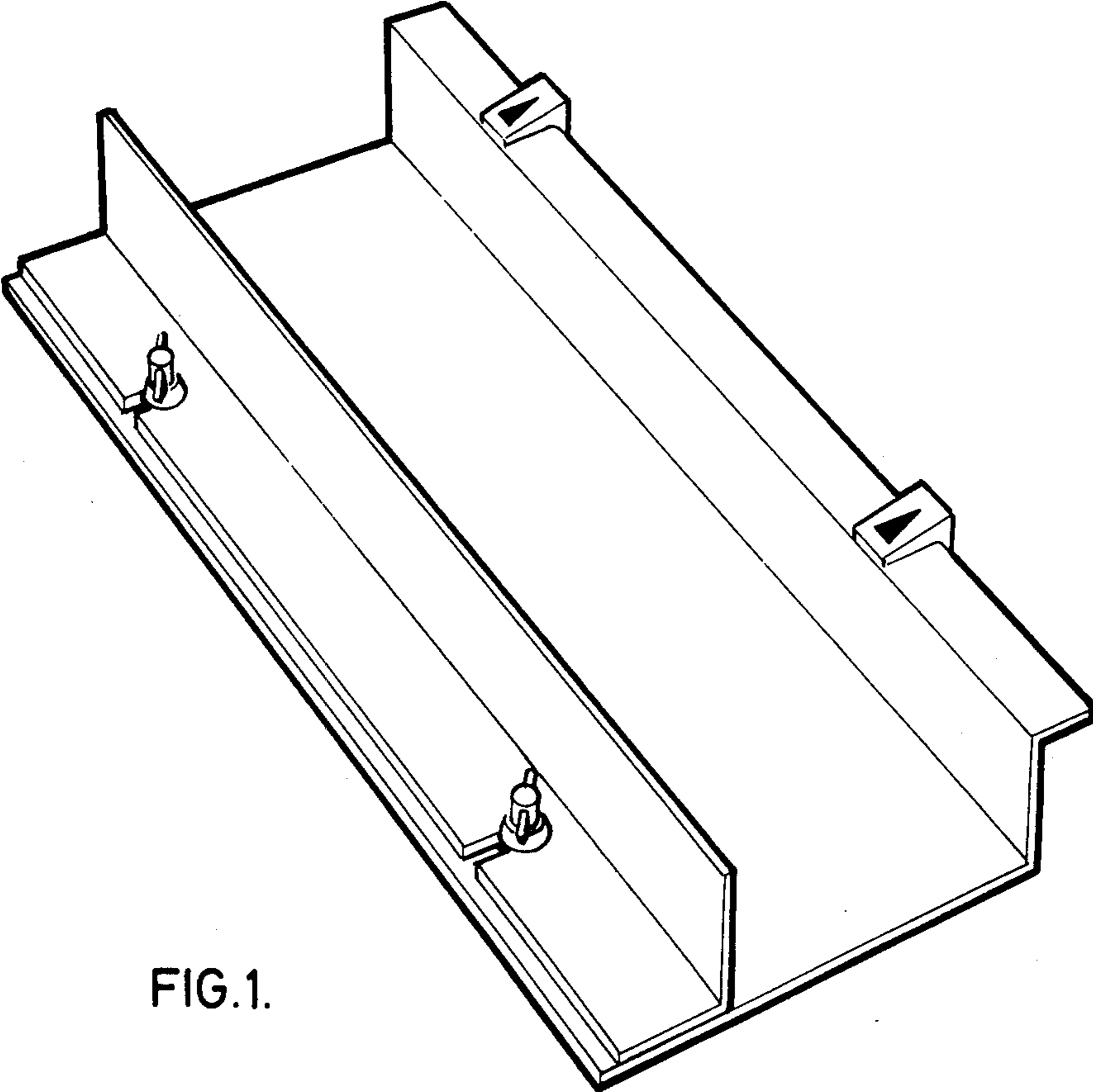


FIG. 1.

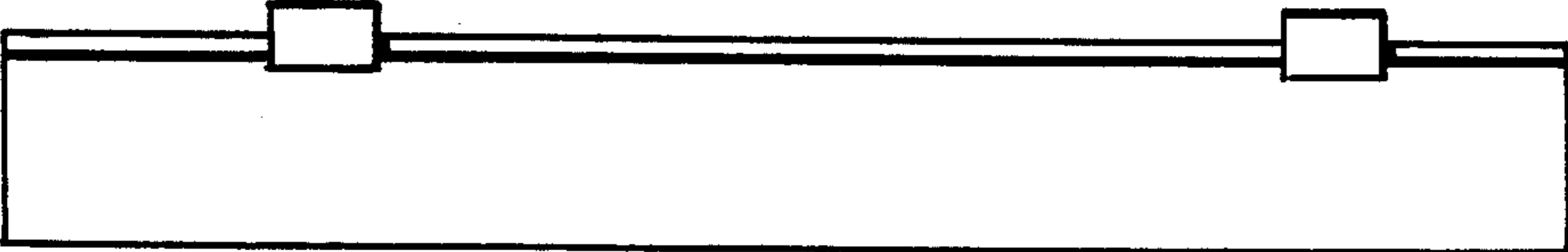


FIG. 2.