

[54] CASKET

[76] Inventor: Louis Moses Bini, 19 Sycamore Drive, Old Bridge, N.J. 08857

[**] Term: 14 Years

[21] Appl. No.: 589,460

[22] Filed: June 23, 1975

[51] Int. Cl. D3-01

[52] U.S. Cl. D31/1

[58] Field of Search D31/1-3, D31/6-8, 12; 27/1-11, 14, 35; D87/1 R; D9/222, 237, 230, 231, 235, 240; D56/1 B; D19/27; 206/314, 317, 504, 822

[56] References Cited

U.S. PATENT DOCUMENTS

1,511,036	10/1924	Hemby	27/14
2,356,957	8/1944	Turner	27/35
3,809,231	5/1974	Palma et al.	206/314
D. 6,117	7/1872	Nilsson	D31/7
D. 134,507	12/1942	Hershfield	D86/10 A

Primary Examiner—Joel Stearman

Assistant Examiner—Louis S. Zarfes

Attorney, Agent, or Firm—Barry H. Freedman

[57] CLAIM

The ornamental design for a casket, substantially as shown and described.

DESCRIPTION

FIG. 1 is a rear perspective view of a casket showing my new design; the bottom surface of the casket is both flat and unornamented;

FIG. 2 is a front perspective view of the casket of FIG. 1;

FIG. 3 is a rear elevational view of the casket of FIG. 1;

FIG. 4 is a top plan view of the casket of FIG. 1;

FIG. 5 is a front elevational view of the casket of FIG. 1;

FIG. 6 is a left end view of the casket of FIG. 1;

FIG. 7 is a right end view of the casket of FIG. 1;

FIG. 8 is a rear perspective view of a casket showing a modified form of my new design; the bottom surface of the casket is both flat and unornamented;

FIG. 9 is a front perspective view of the casket of FIG. 8;

FIG. 10 is a rear elevational view of the casket of FIG. 8;

FIG. 11 is a top plan view of the casket of FIG. 8;

FIG. 12 is a front elevational view of the casket of FIG. 8;

FIG. 13 is a left end view of the casket of FIG. 8; and

FIG. 14 is a right end view of the casket of FIG. 8;

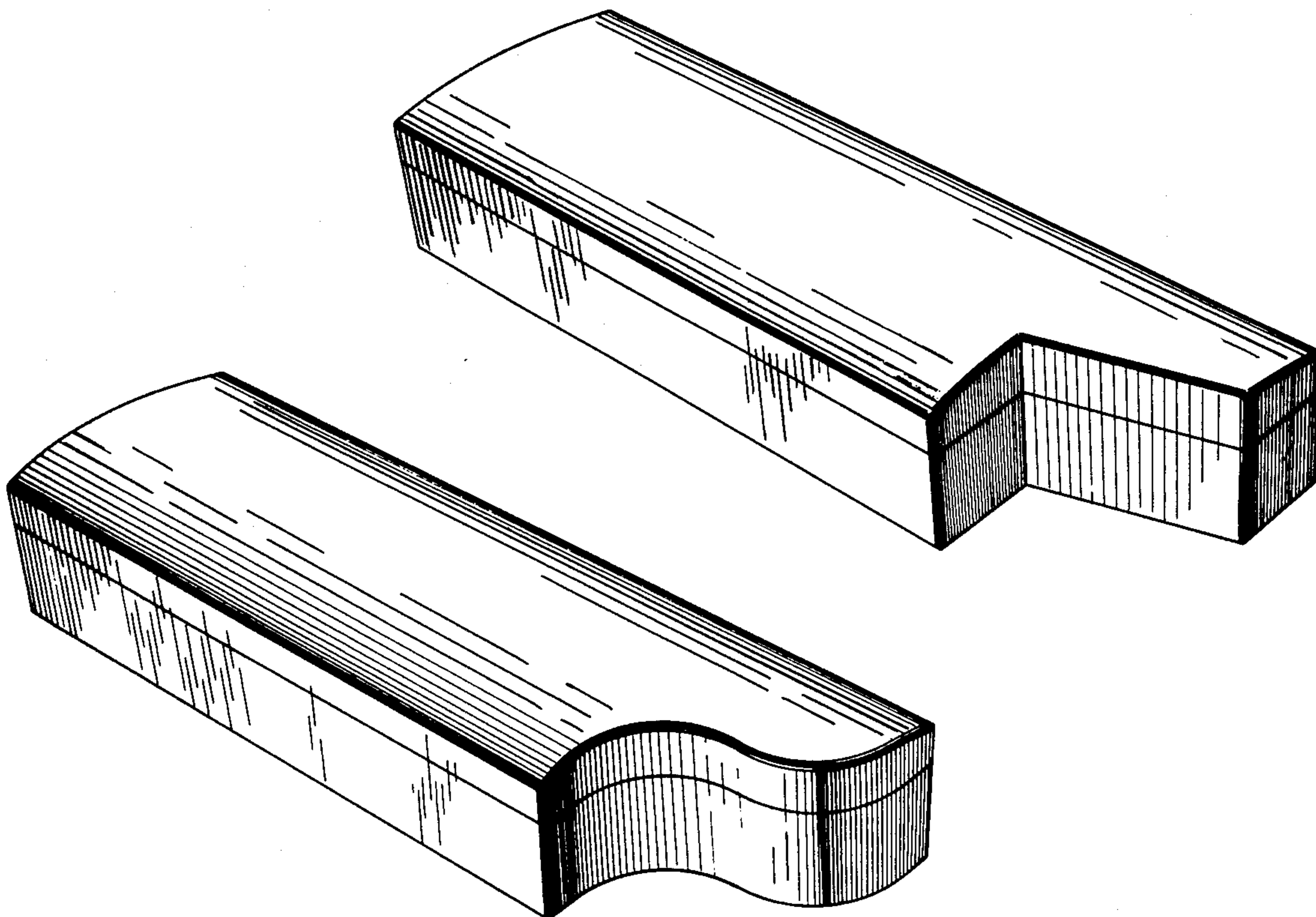


FIG. 1

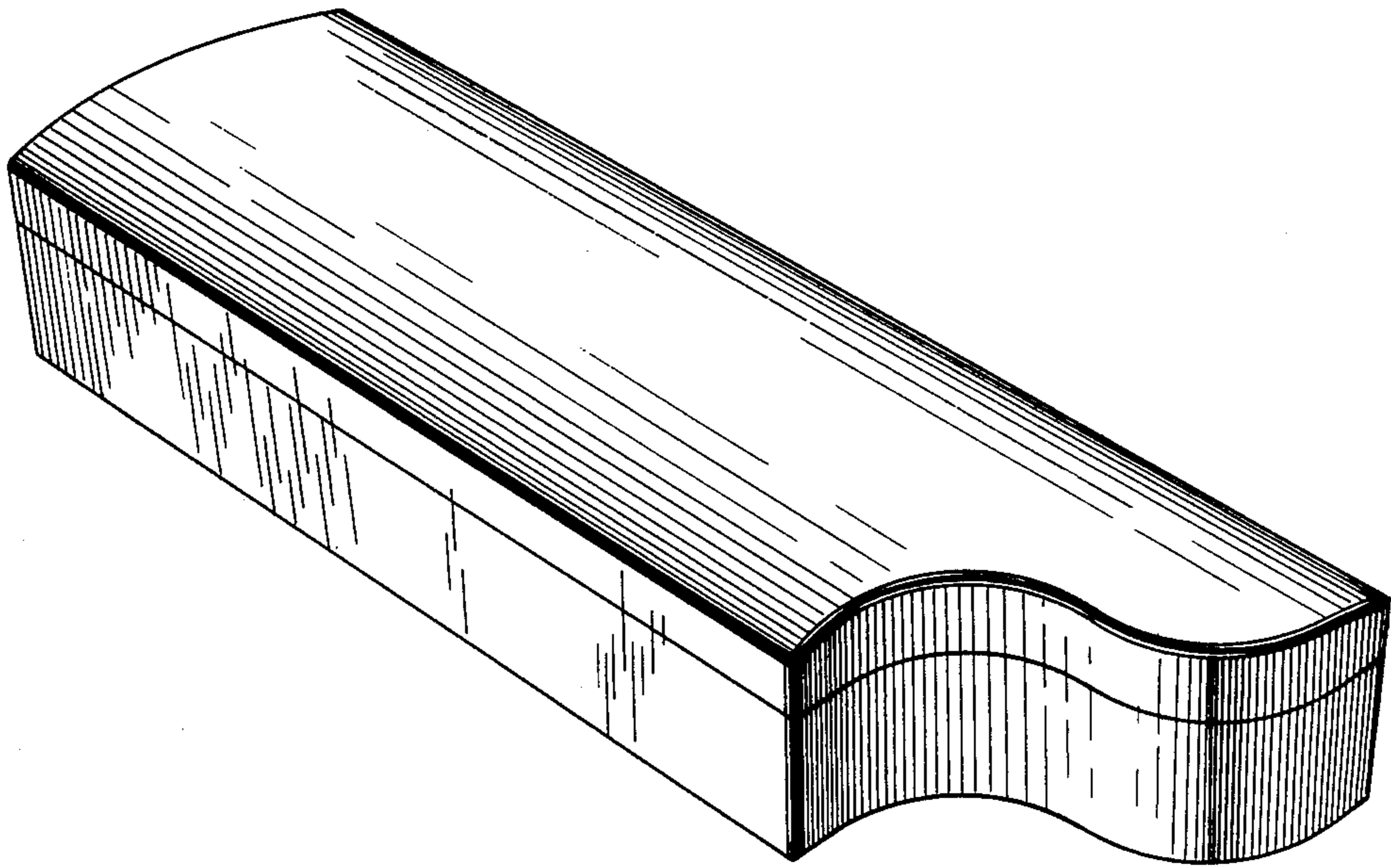


FIG. 2

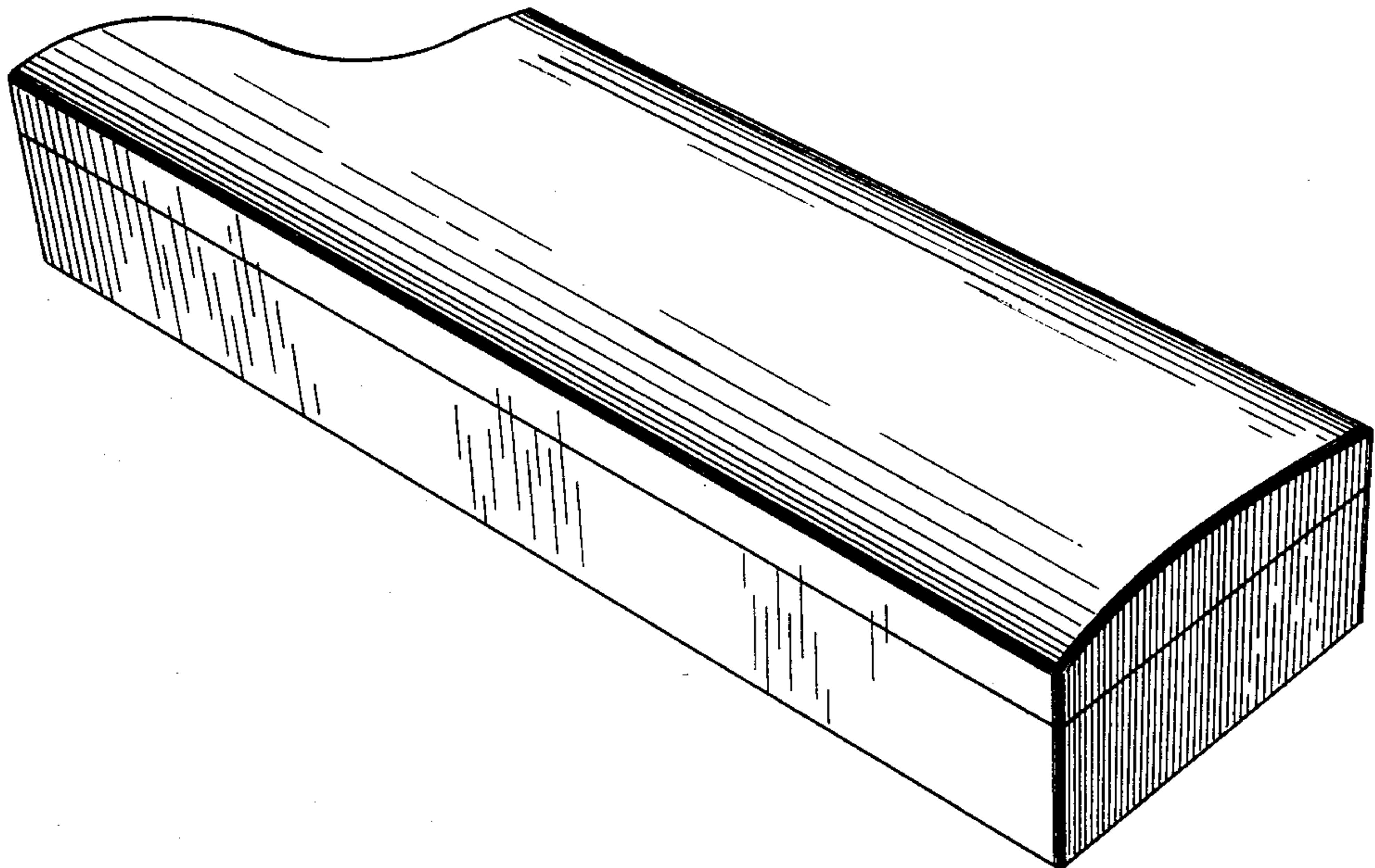


FIG. 3



FIG. 4

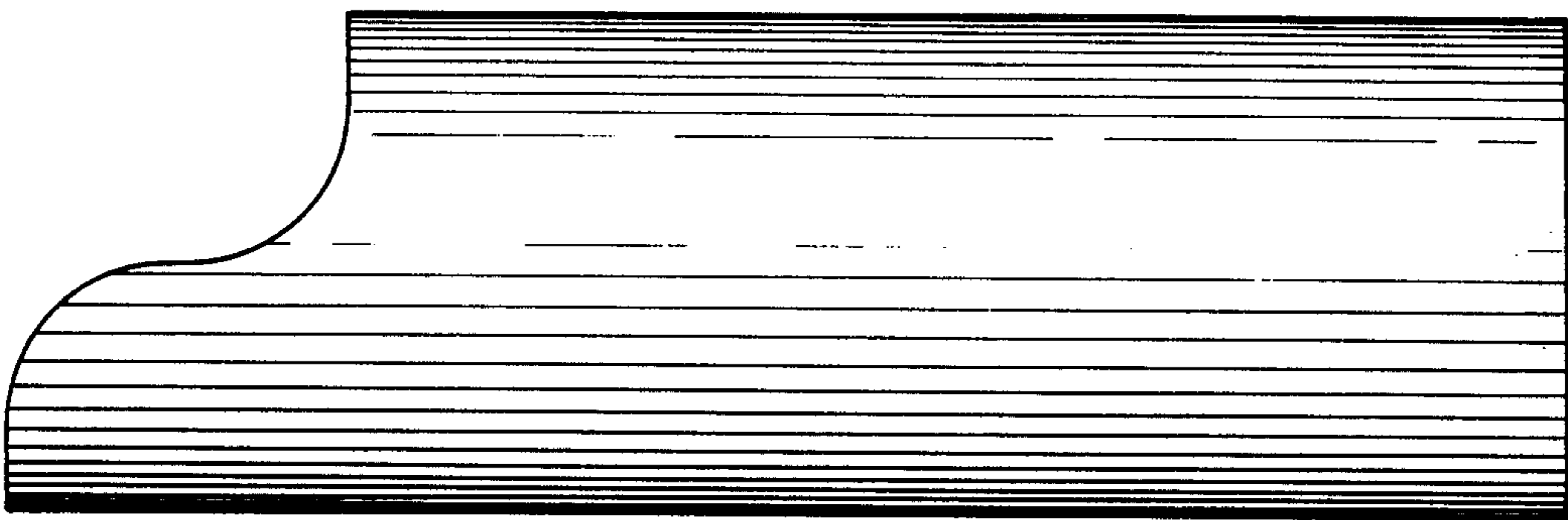


FIG. 5

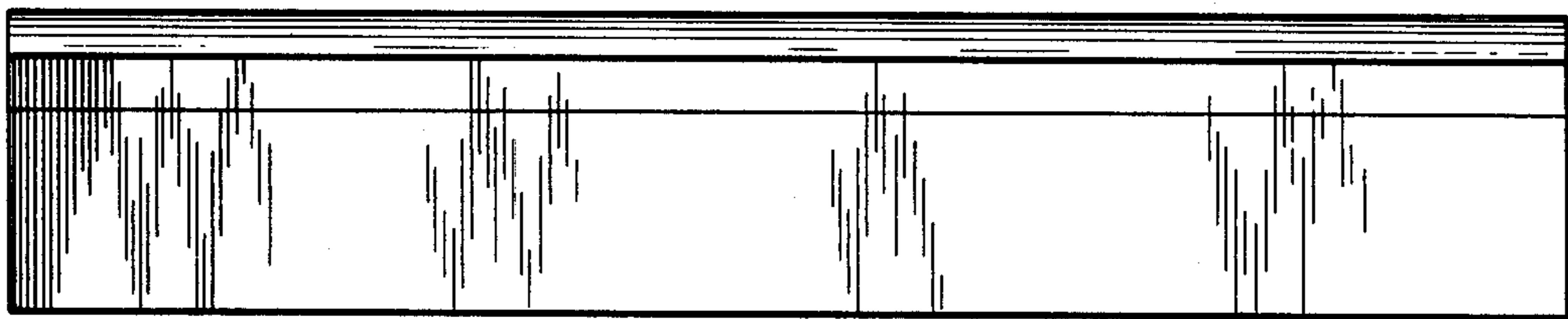


FIG. 6

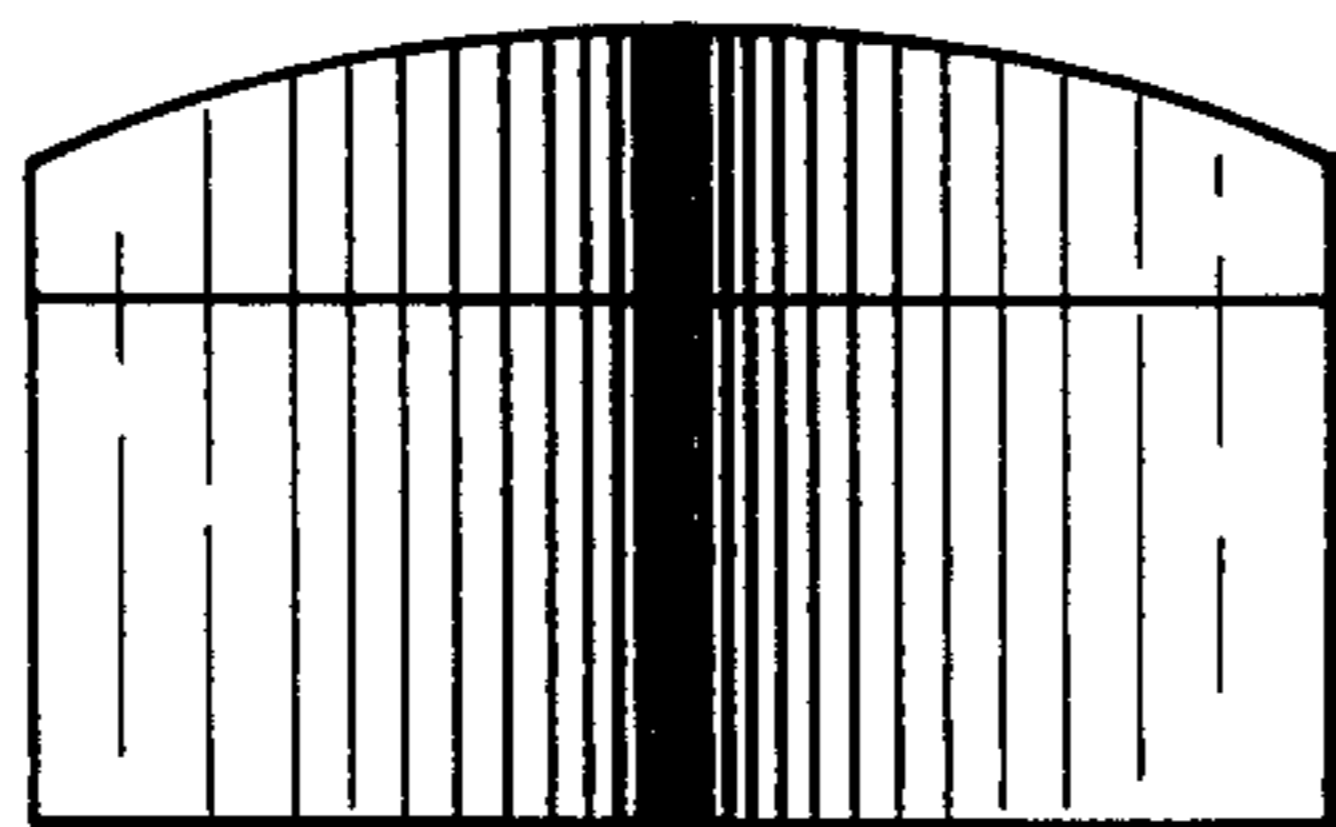


FIG. 7

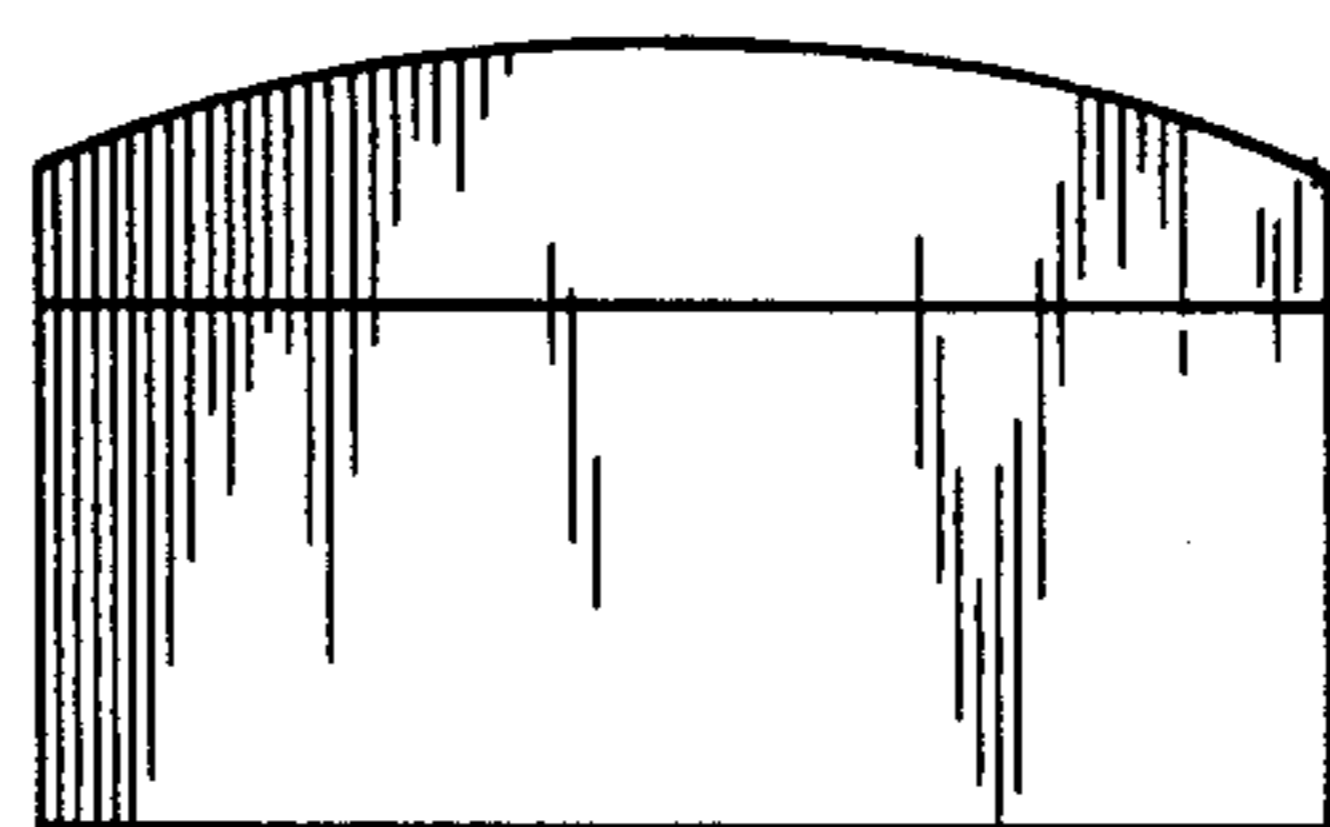


FIG. 8

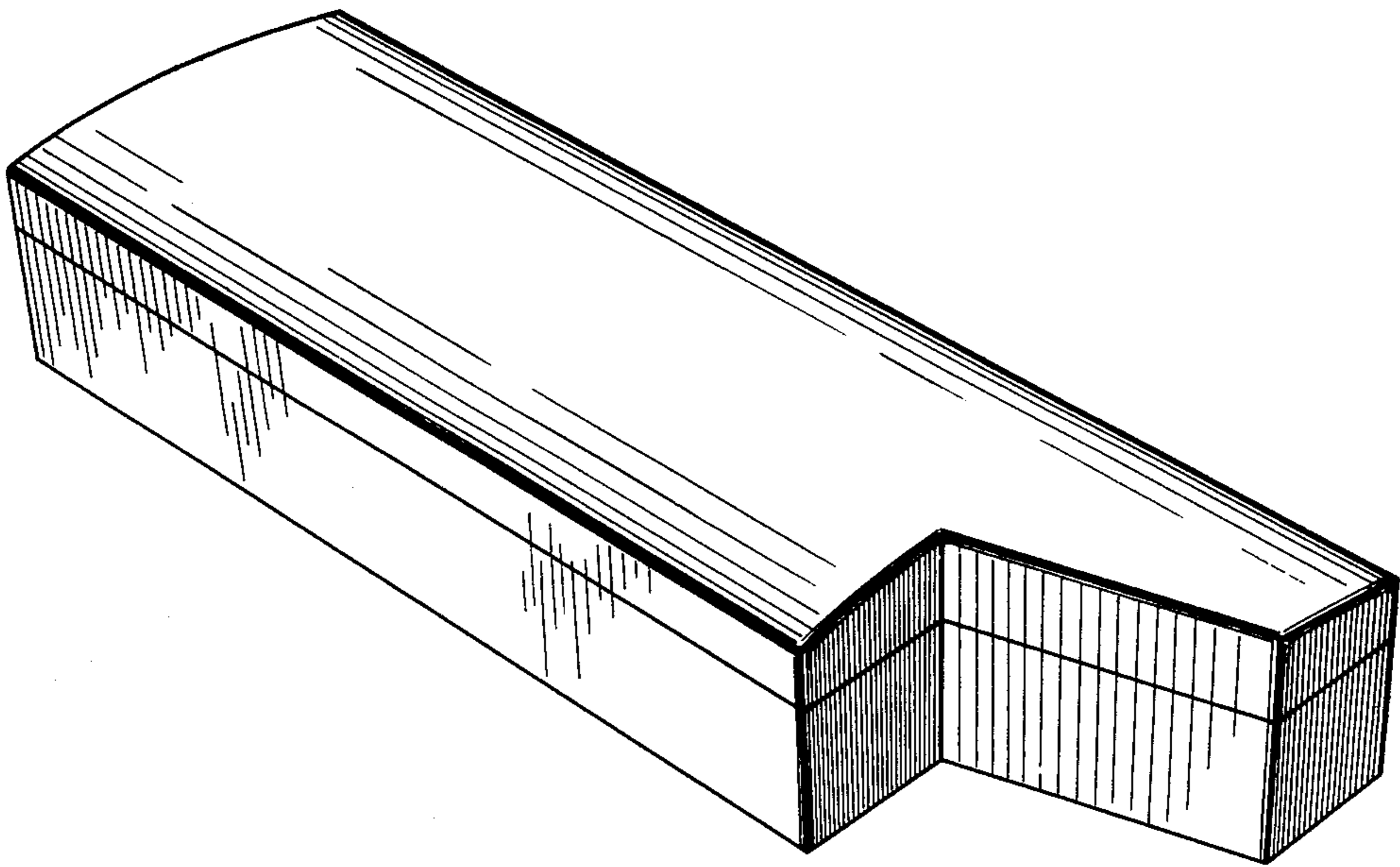


FIG. 9

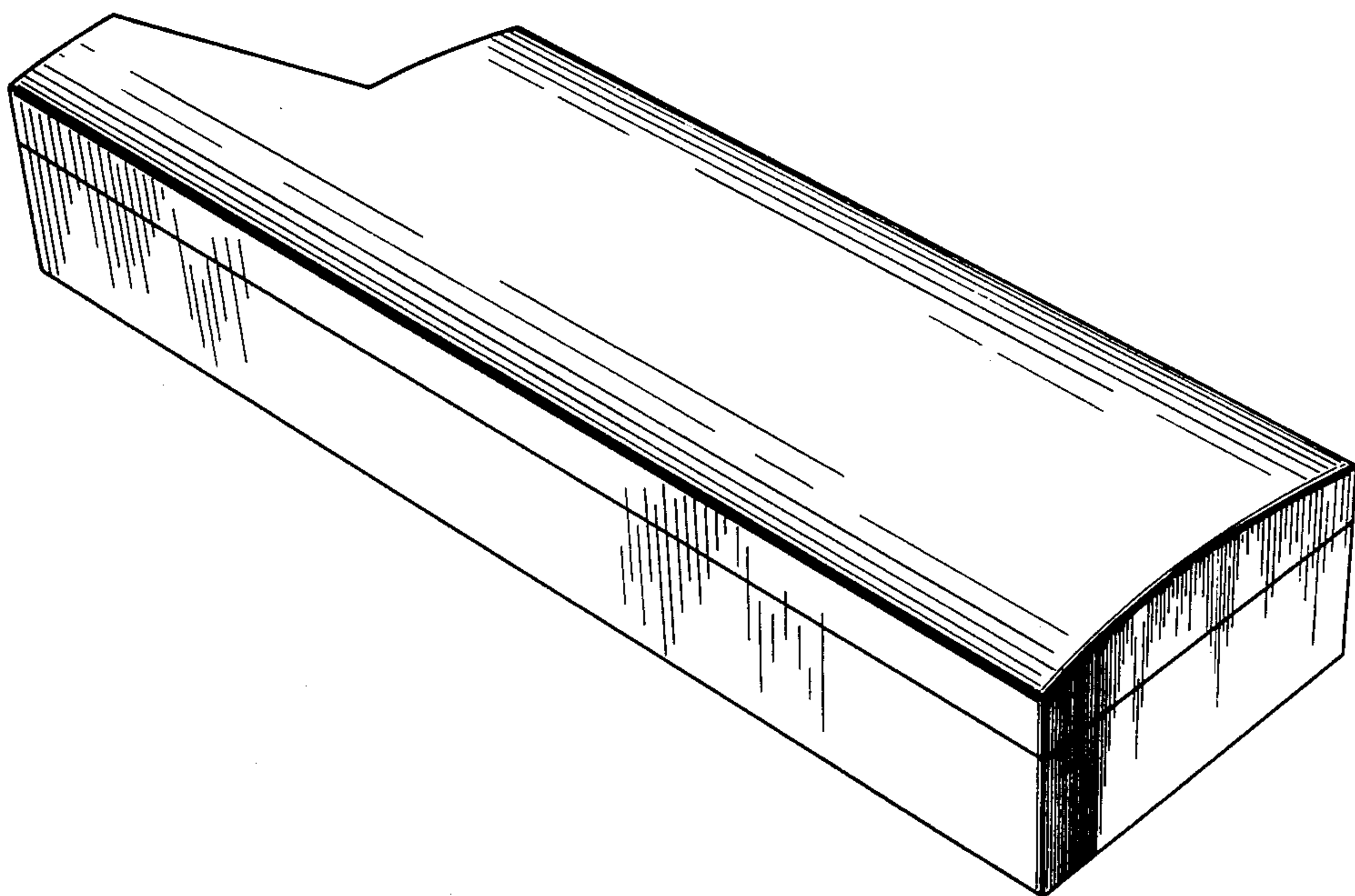


FIG. 10

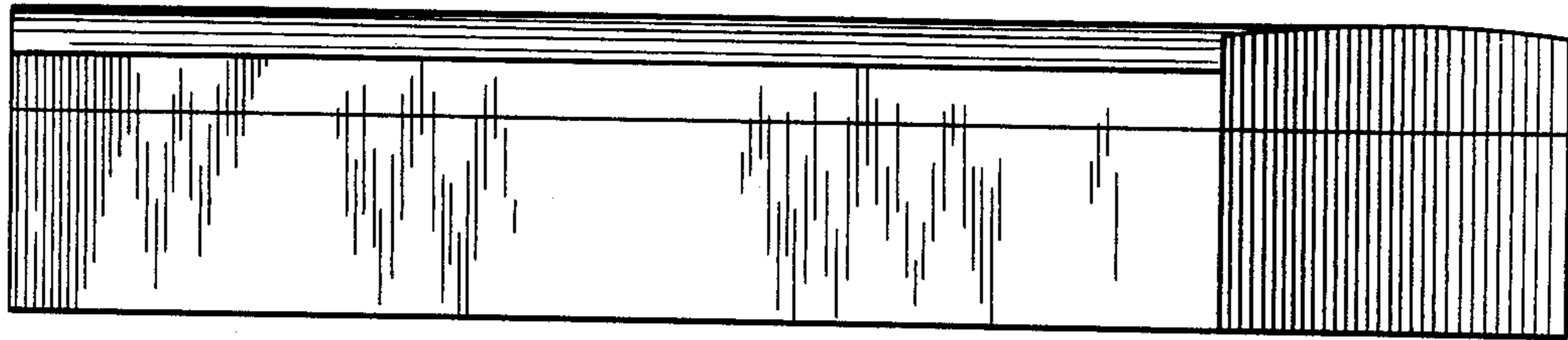


FIG. 11

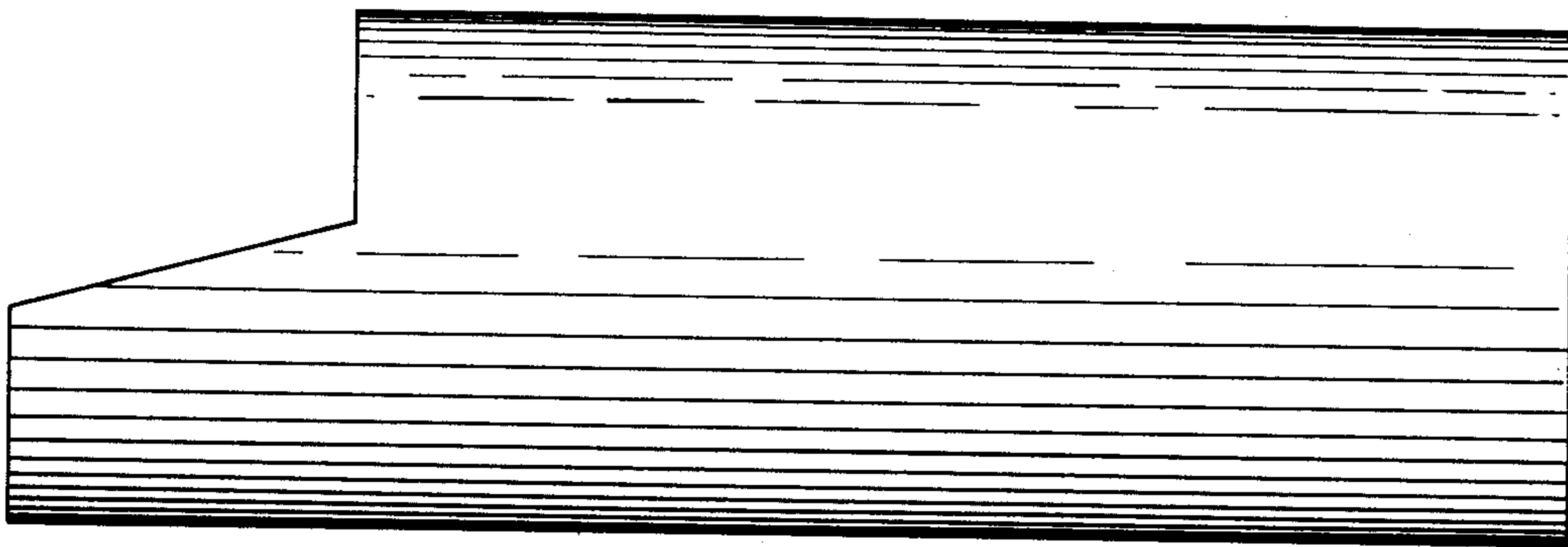


FIG. 12

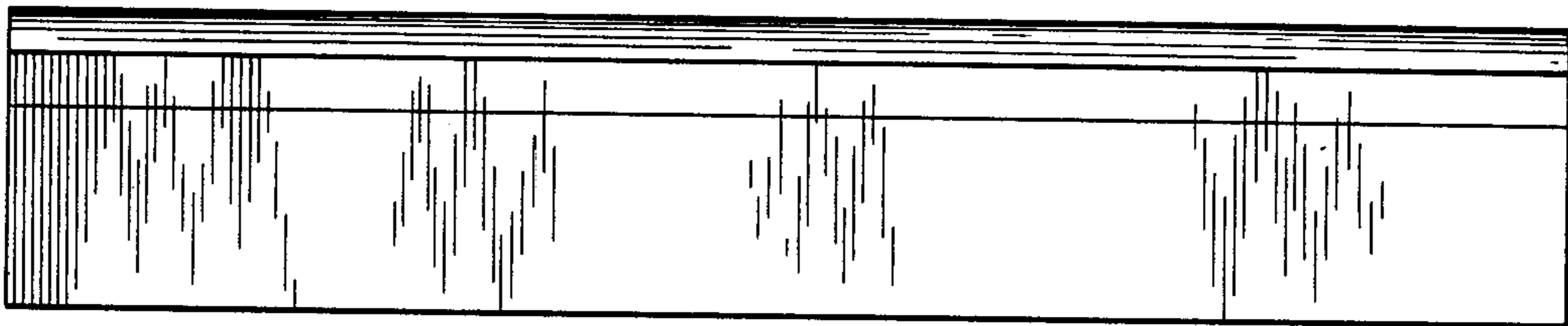


FIG. 13

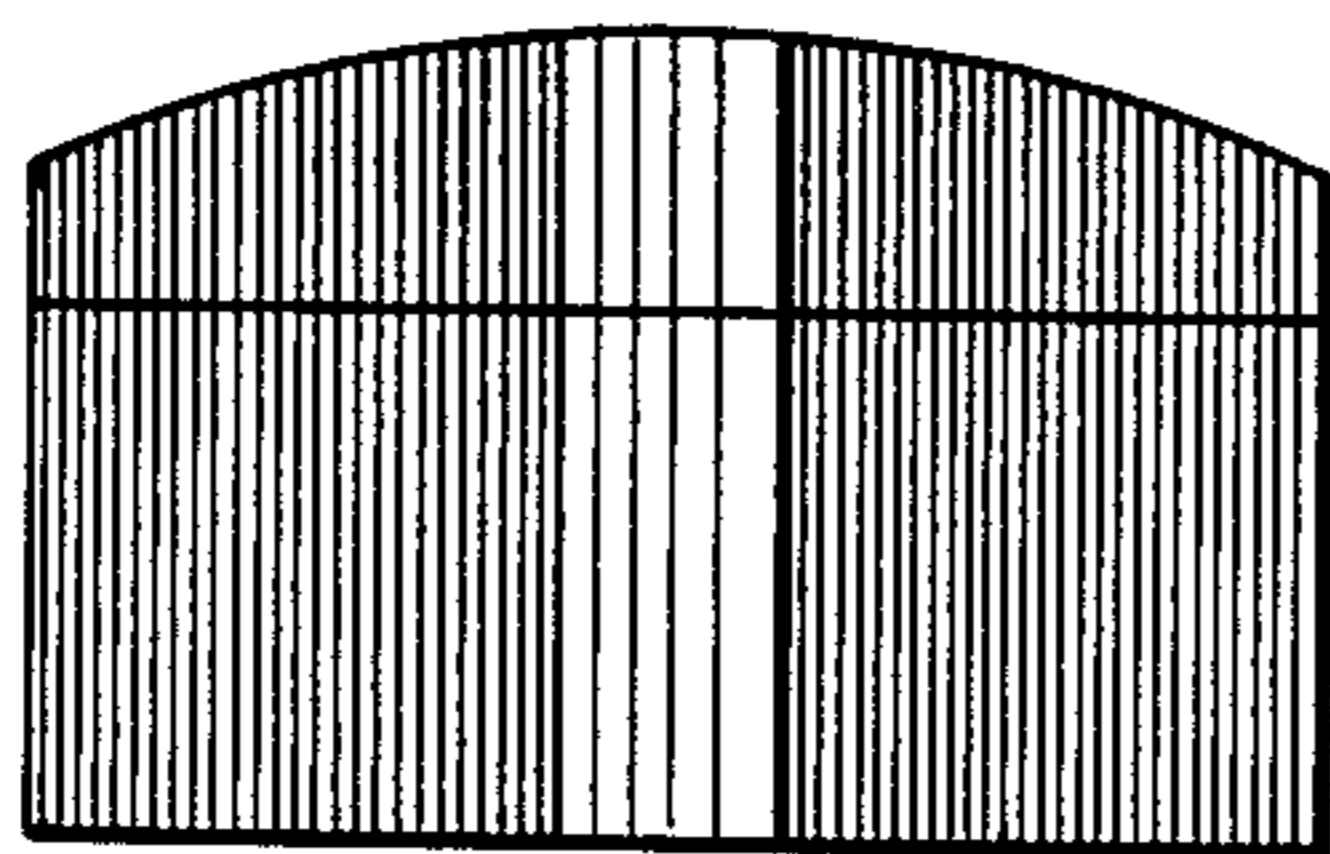


FIG. 14

