

[54] ASHTRAY MOUNTED CIGARETTE SNUFFER

[76] Inventor: Arthur A. Fisher, 4712 E. Indian School Road, Phoenix, Ariz. 85018

[**] Term: 14 Years

[21] Appl. No.: 680,502

[22] Filed: Apr. 26, 1976

[51] Int. Cl. D27-99

[52] U.S. Cl. D27/9

[58] Field of Search D27/8, 9, 15, 3; D7/68; 131/235 R, 256

[56] References Cited

U.S. PATENT DOCUMENTS

1,889,801	12/1932	Bessmer	131/235 R
2,791,148	5/1957	Maisch	D7/68 UX
D. 156,464	12/1949	Robbins	D27/9
D. 179,260	11/1956	O'Connor	D27/8

D. 183,702	10/1958	O'Connor	D27/8 X
D. 214,298	5/1969	Hart	D27/9

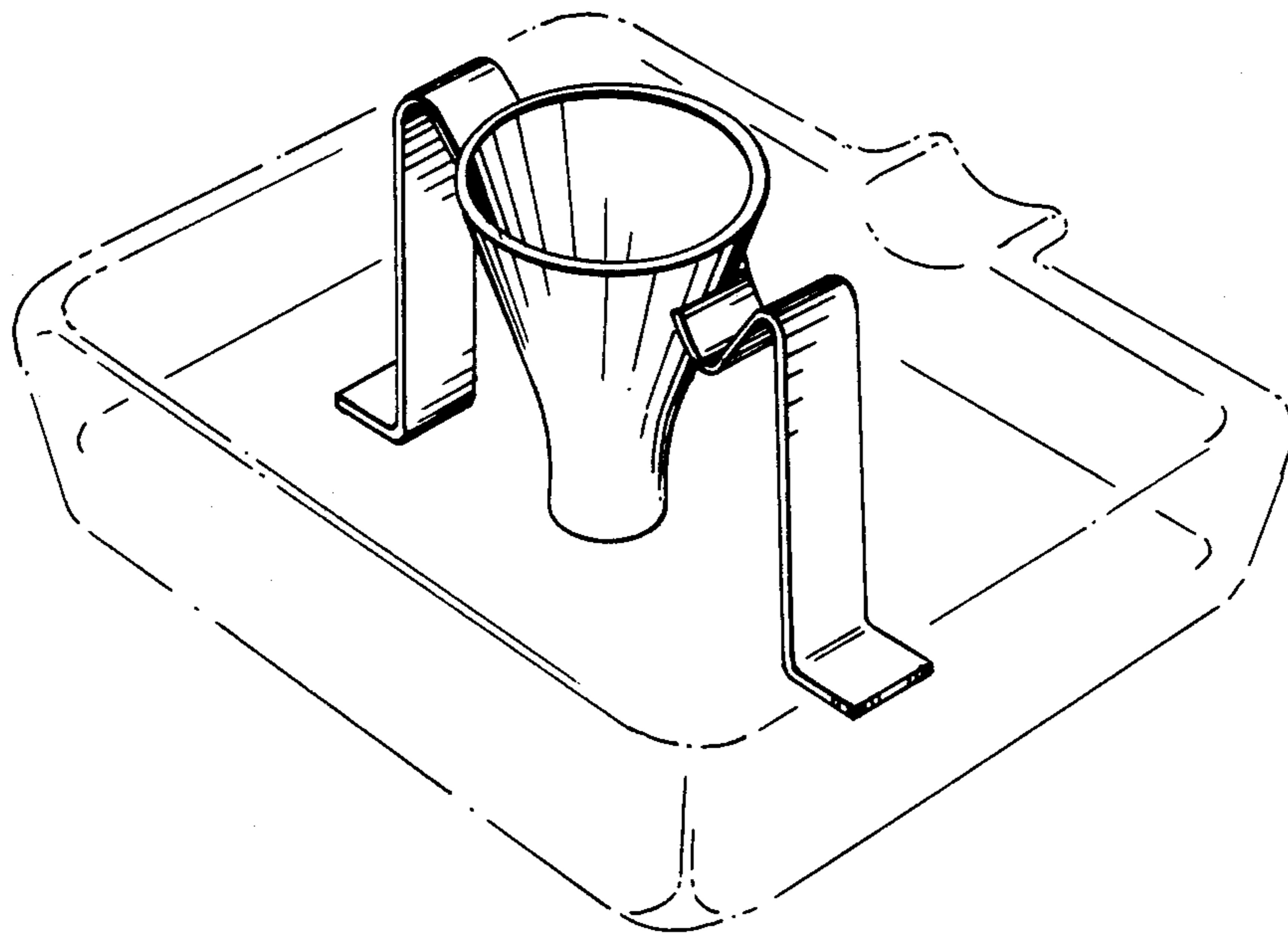
Primary Examiner—Wallace R. Burke
Assistant Examiner—Catherine Kemper
Attorney, Agent, or Firm—C. Robert von Hellens

[57] CLAIM

The ornamental design for an ashtray mounted cigarette snuffer, as shown and described.

DESCRIPTION

FIG. 1 is an isometric view of an ashtray mounted cigarette snuffer showing my new design; FIG. 2 is a top plan view thereof; FIG. 3 is a front elevational view, the rear elevational view being a mirror image thereof; FIG. 4 is a right side elevational view, the left side elevational view being a mirror image thereof. The broken line disclosure of an ashtray in FIG. 1 is for illustrative purposes only and forms no part of the claimed design.



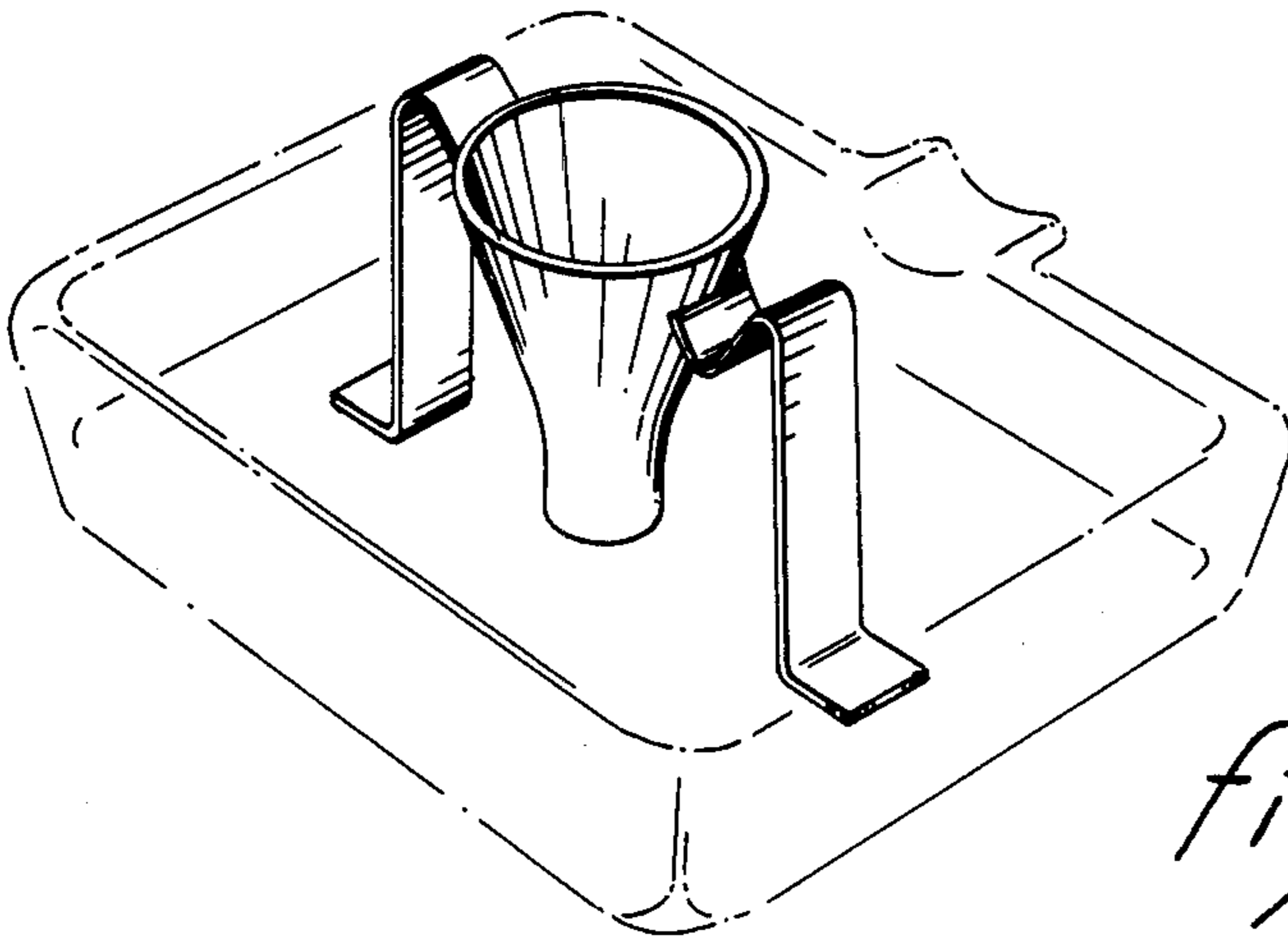


fig. 1

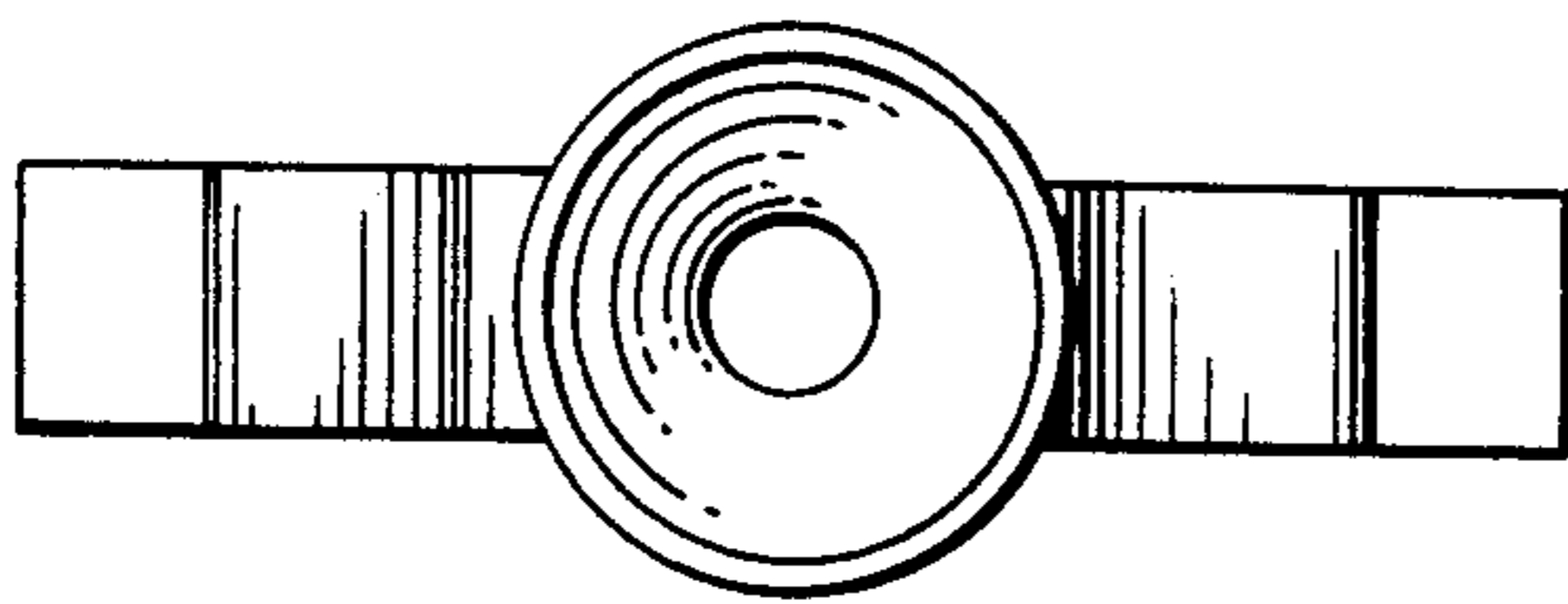


fig. 2

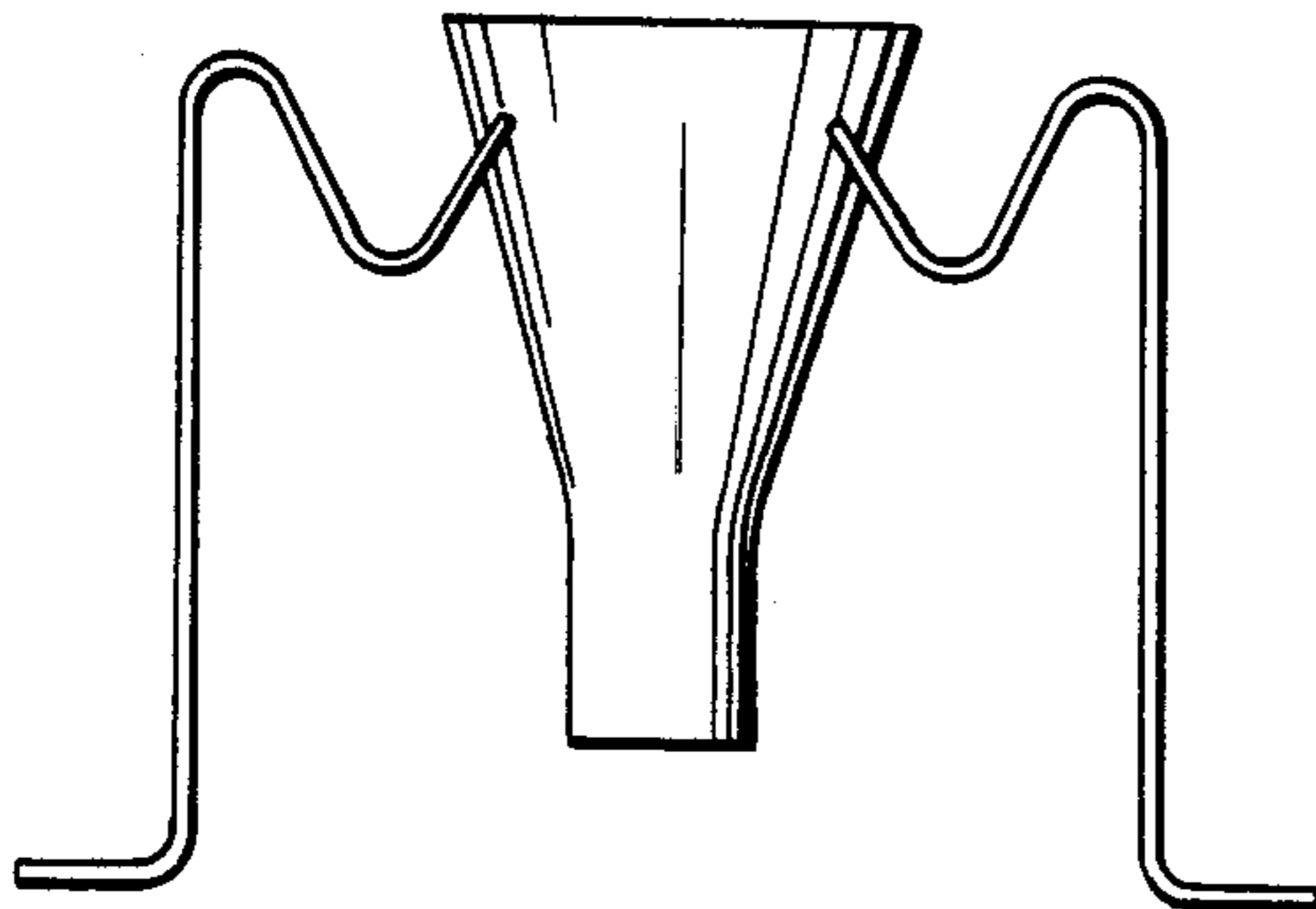


fig. 3

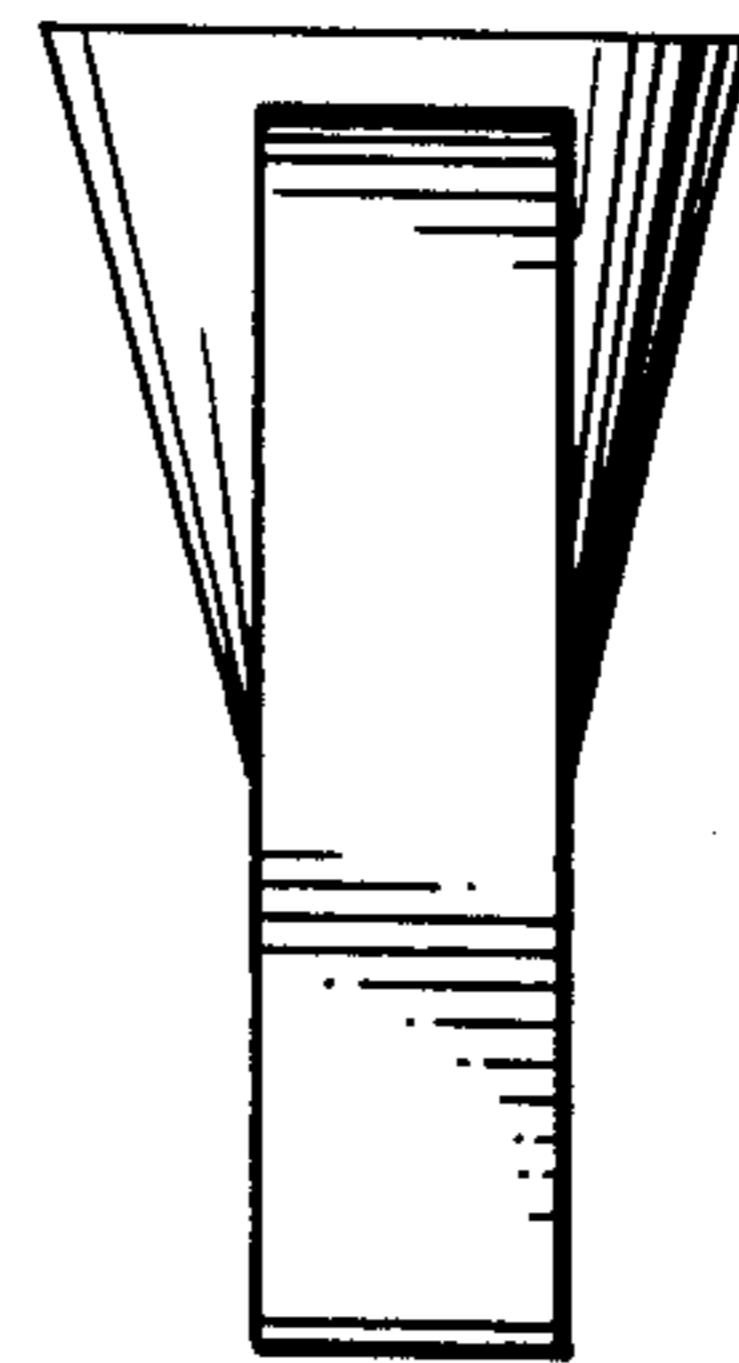


fig. 4