

[54] PHONOGRAPH CARTRIDGE

[75] Inventor: James P. Thomsen, Mount Prospect, Ill.

[73] Assignee: Shure Brothers Incorporated, Ill.

[**] Term: 14 Years

[21] Appl. No.: 690,014

[22] Filed: May 26, 1976

[51] Int. Cl. D14-01

[52] U.S. Cl. D14/28

[58] Field of Search D26/14 D; 274/37, 36, 274/38

[56] References Cited

U.S. PATENT DOCUMENTS

3,294,405	12/1966	Pritchard	274/37
D. 230,995	3/1974	Thomsen	D26/14 D
D. 235,211	5/1975	Deschamps	D26/14 D
D. 235,252	6/1975	Deschamps	D26/14 D
D. 235,661	7/1975	Deschamps	D26/14 D

Primary Examiner—Bernard Ansher
Attorney, Agent, or Firm—George B. Newitt

[57] CLAIM

The ornamental design for a photographic cartridge, as shown and described.

DESCRIPTION

FIG. 1 is a perspective view of a phonograph cartridge in accordance with the present invention, as shown in its inoperative condition with the stylus guard in the prevent play position;

FIG. 2 is a perspective view of a phonograph cartridge in accordance with the present invention, as shown in its operative condition with the stylus guard in the play position;

FIG. 3 is one side view thereof, the other side being substantially identical;

FIG. 4 is a front view thereof;

FIG. 5 is a top plan view thereof;

FIG. 6 is a rear view thereof; and

FIG. 7 is a bottom plan view thereof.

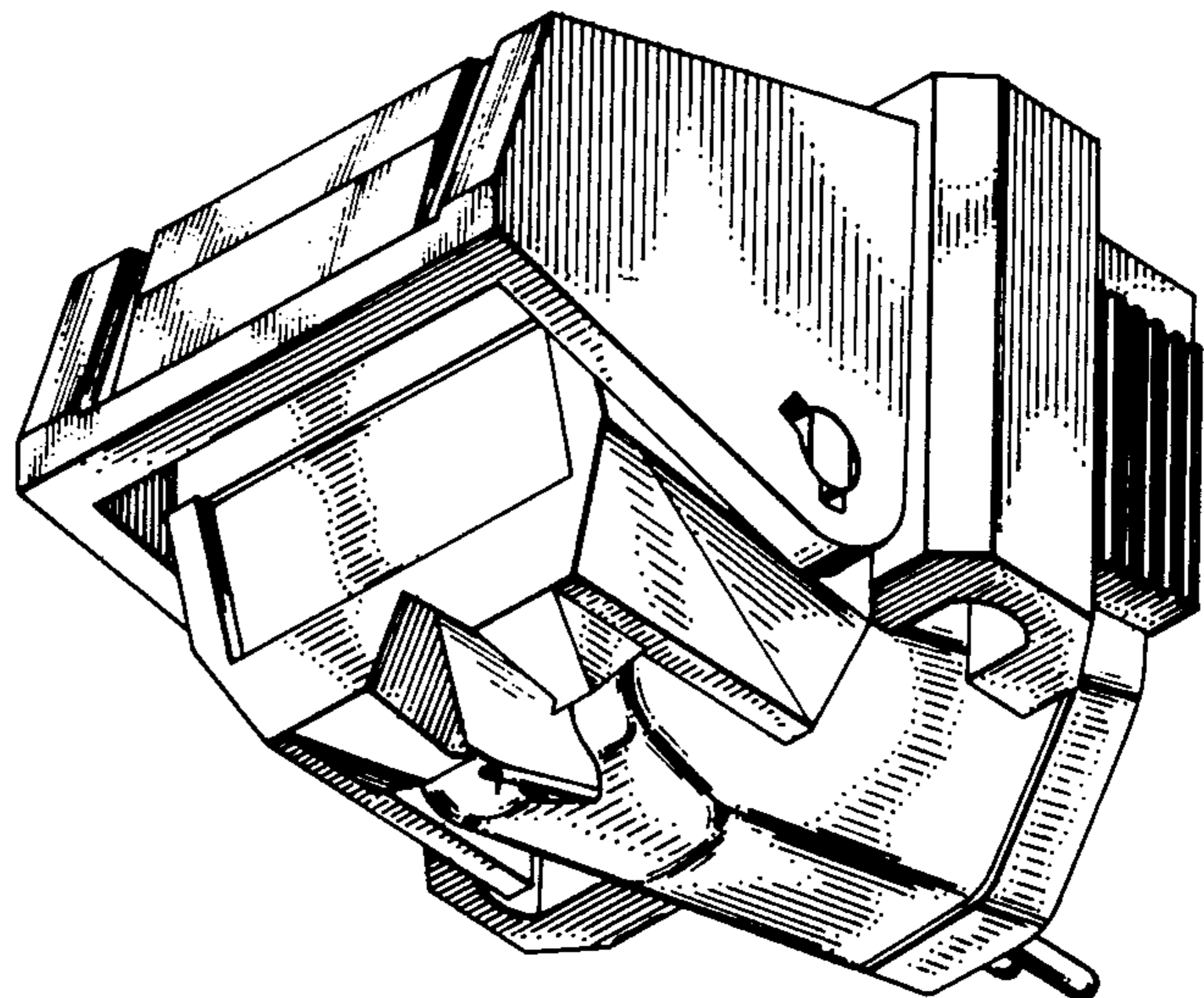
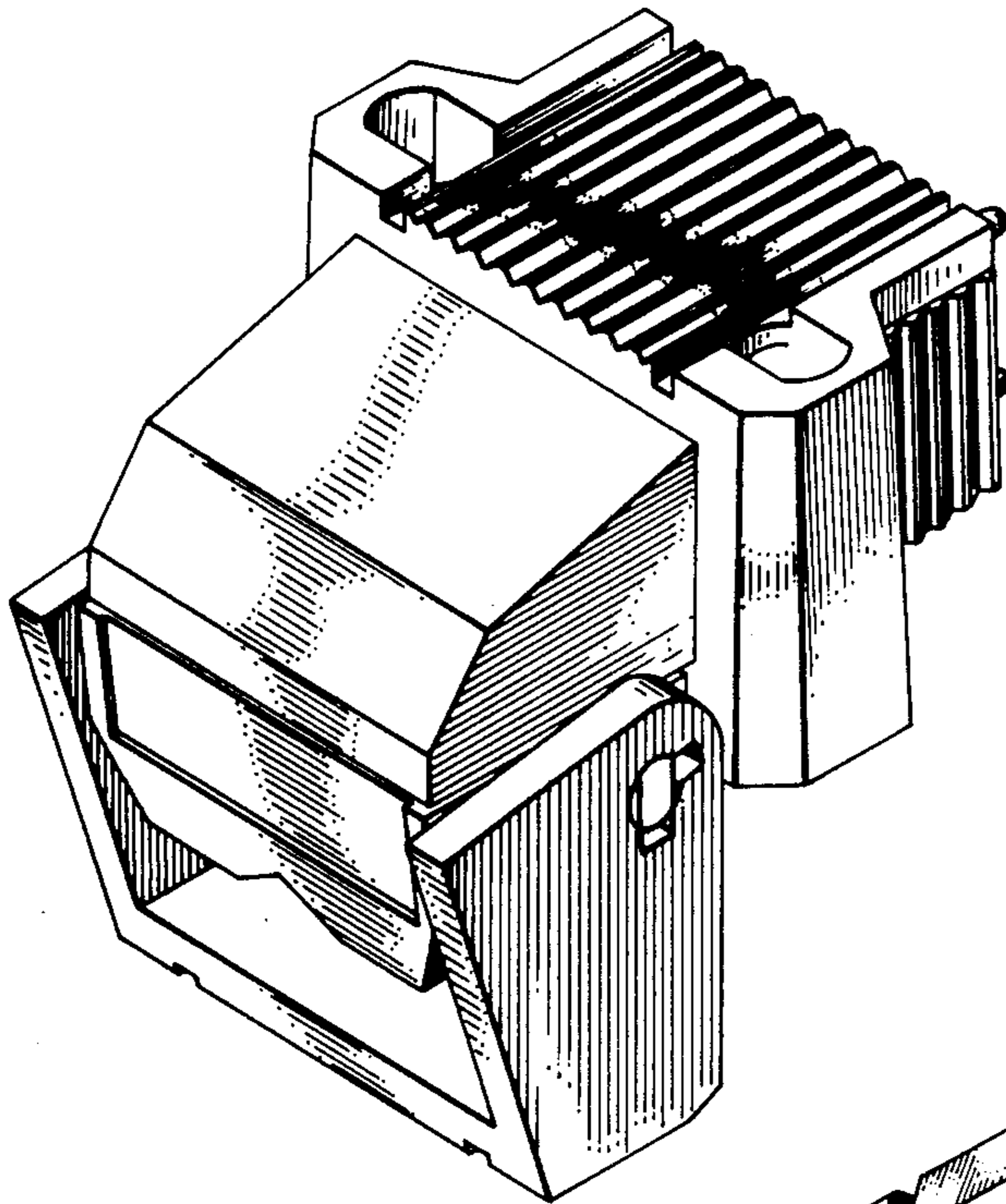


Fig. 1

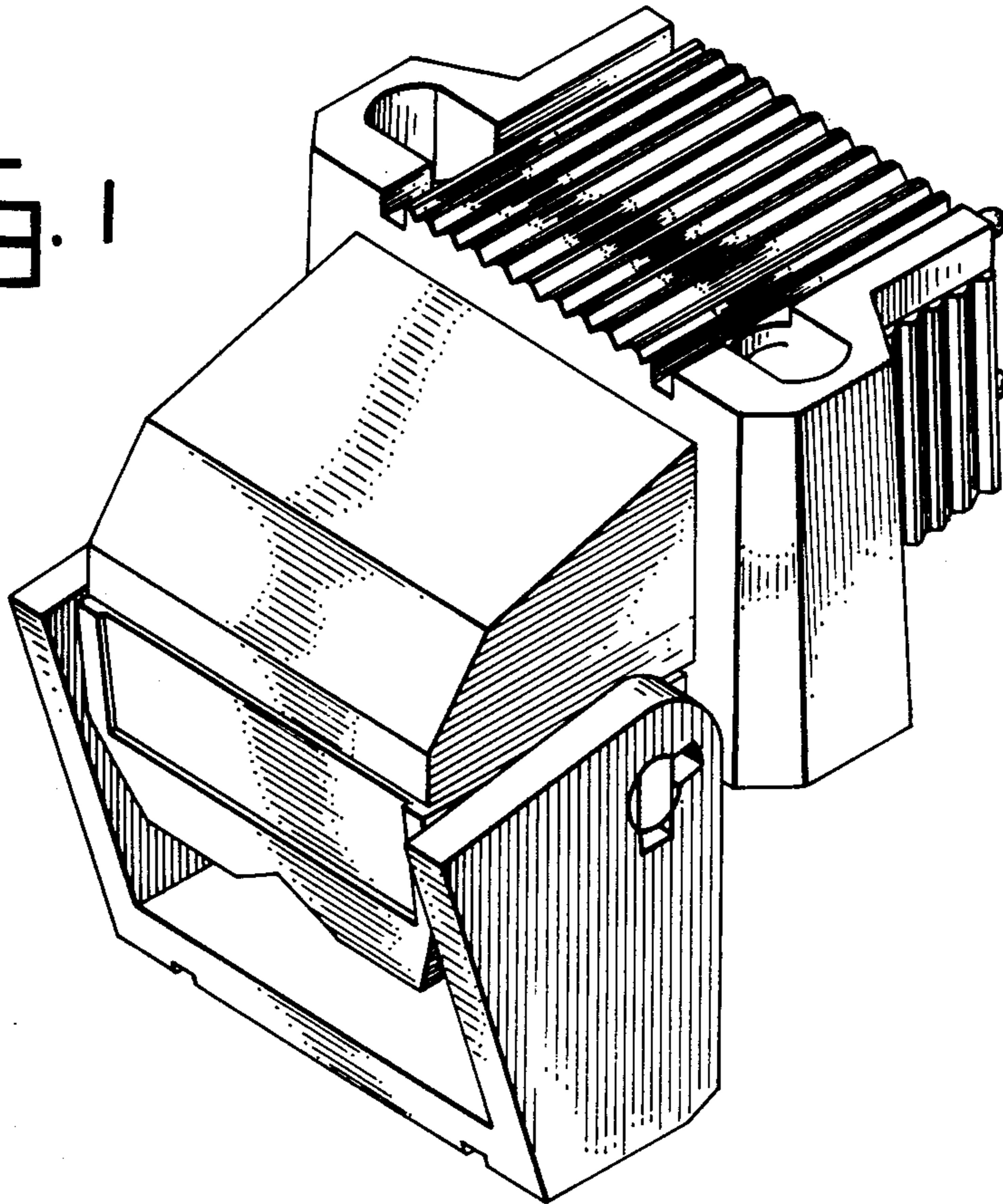


Fig. 2

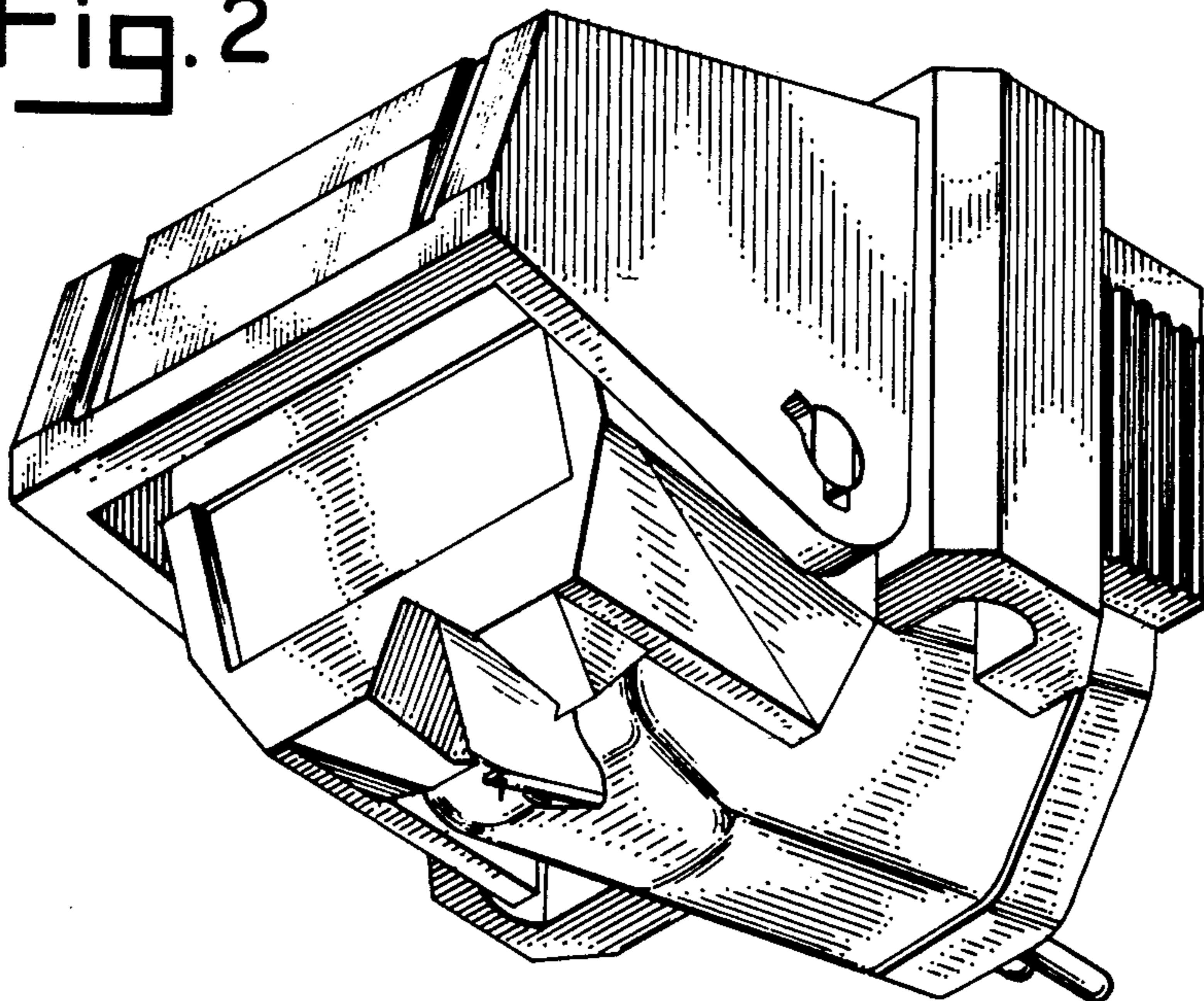


Fig. 3

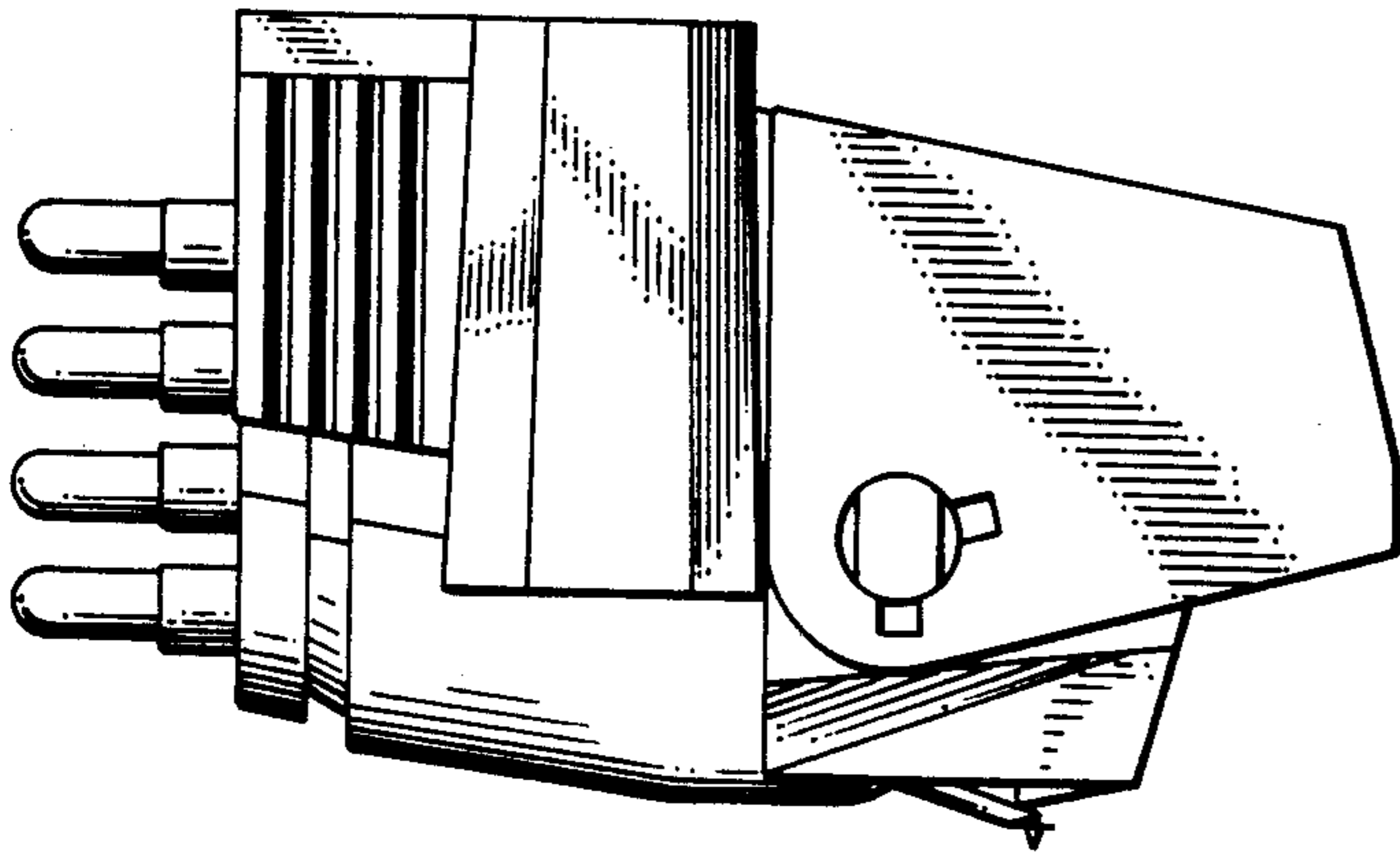


Fig. 4

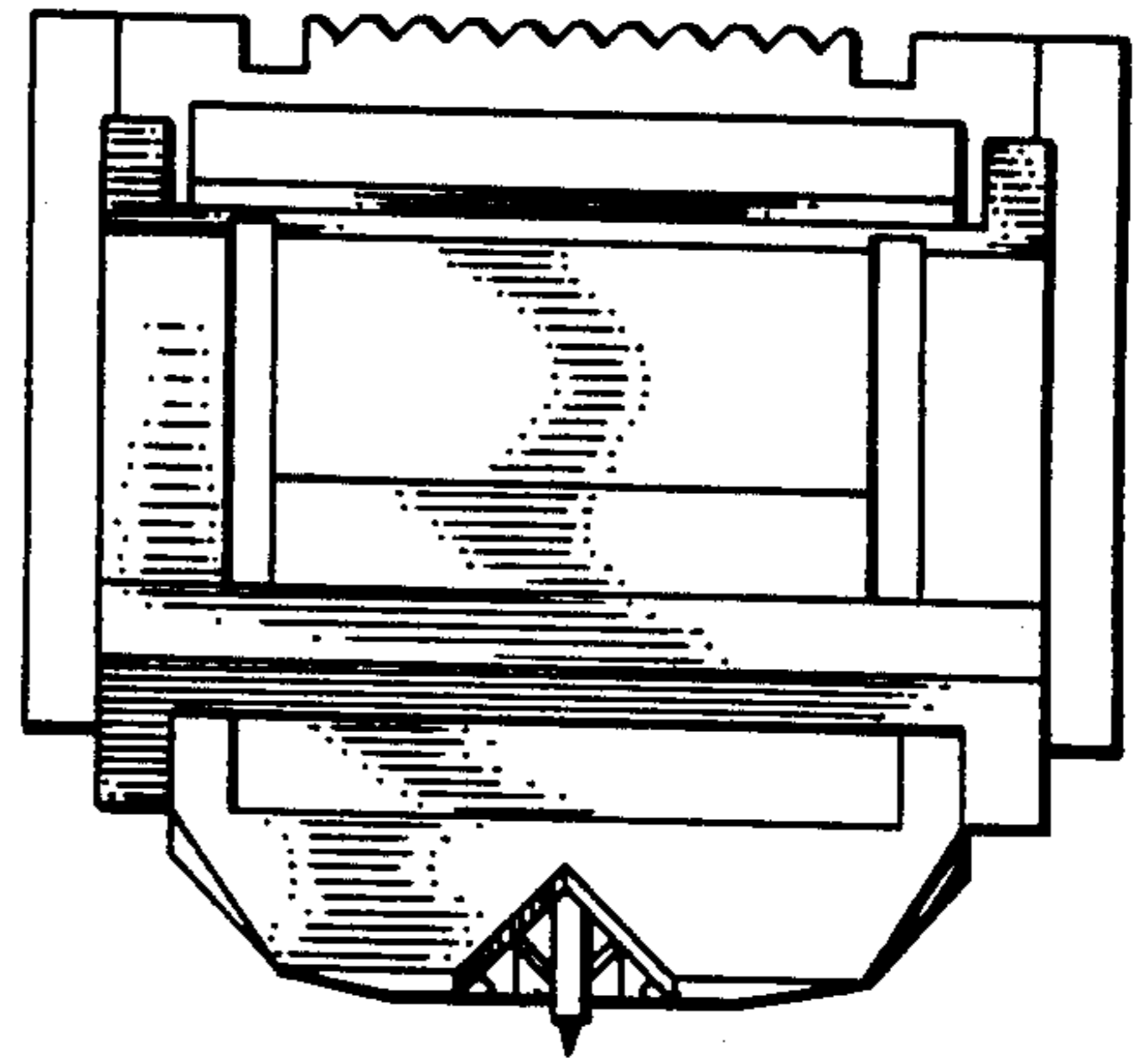


Fig. 5

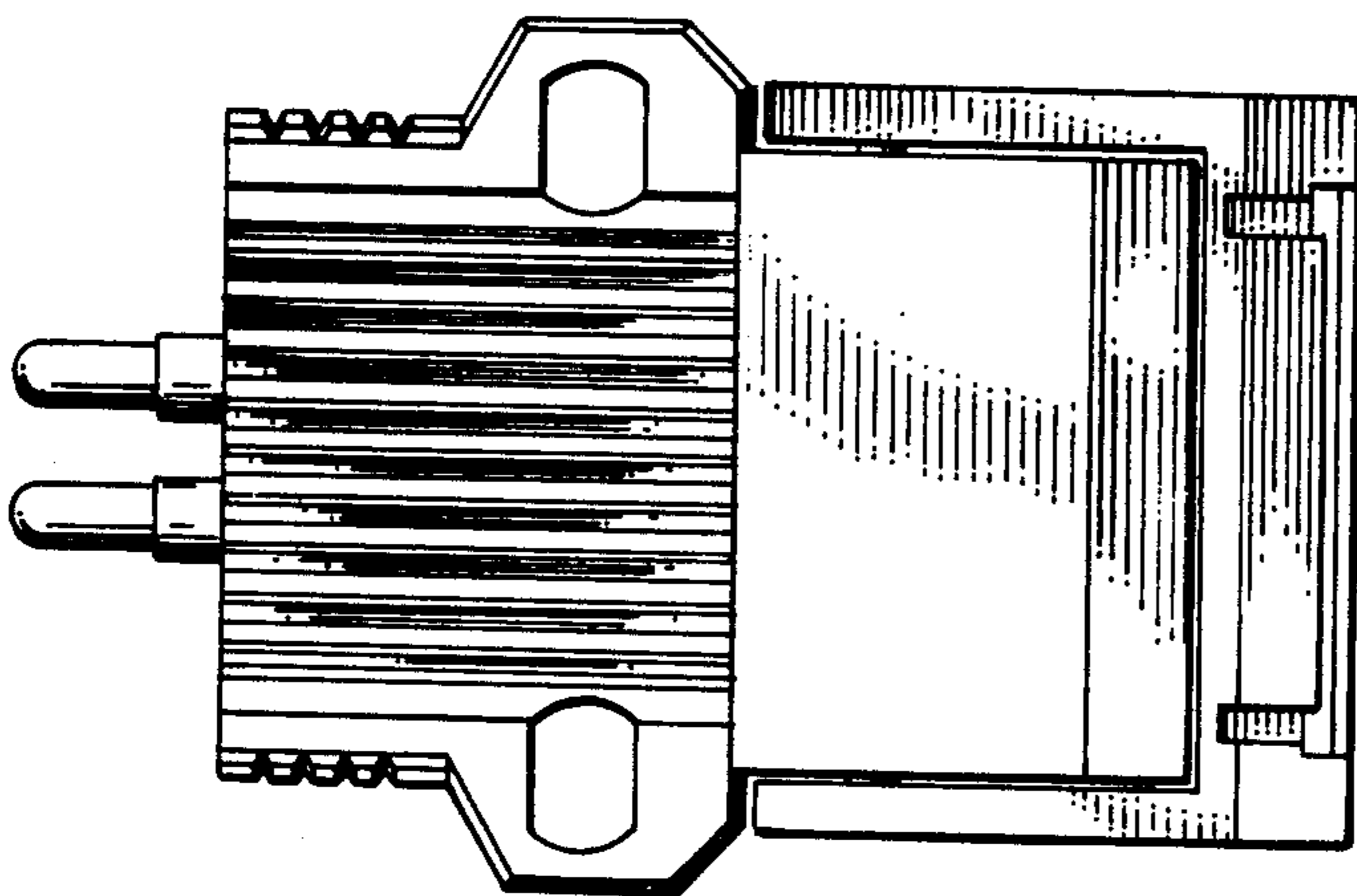


Fig. 6

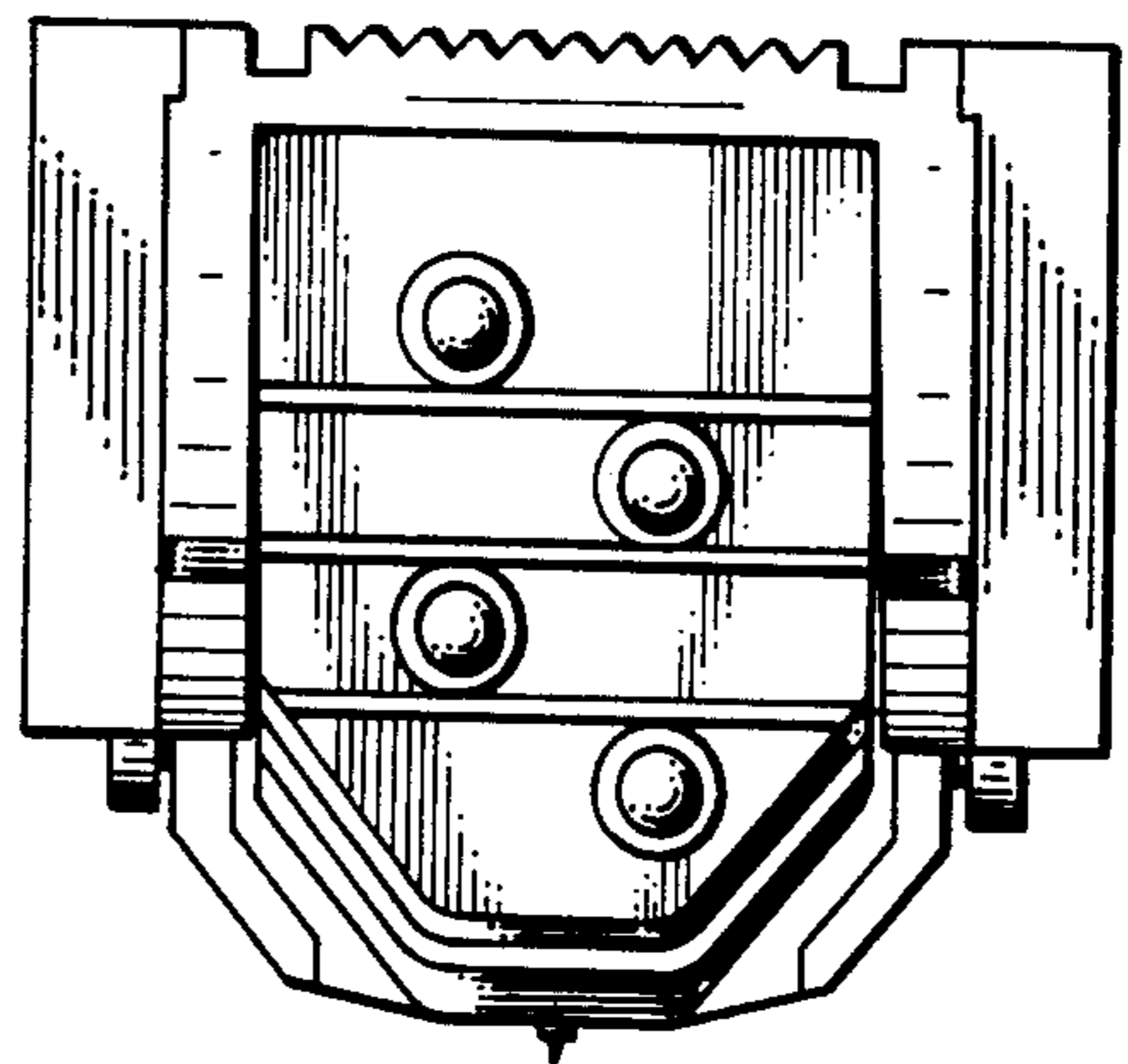


Fig. 7

