

[54] **FILM MAGAZINE OR THE LIKE**

[75] **Inventors:** Bruce Everett Crayton, Rochester;
Ronald Alfred Phillips, Pittsford;
Kenwood Francis Block, Rochester,
all of N.Y.

[73] **Assignee:** Eastman Kodak Company,
Rochester, N.Y.

[**] **Term:** 14 Years

[21] **Appl. No.:** 604,985

[22] **Filed:** Aug. 15, 1975

[51] **Int. Cl.** D16-05

[52] **U.S. Cl.** D14/11

[58] **Field of Search** D26/1 R, 14 B; D87/5 E;
206/307, 316, 387, 444, 389, 393-406, 413,
46, 53; 220/1 A; 242/197-200, 68, 71-77;
274/11; 352/72-78 C; 354/340-347; 96/201;
360/93-96, 132-134

[56] **References Cited**

U.S. PATENT DOCUMENTS

3,670,982	6/1972	Henry	242/197 X
3,833,114	9/1974	Osojnak	206/53
D. 215,358	9/1969	Knowles et al.	D26/1 R

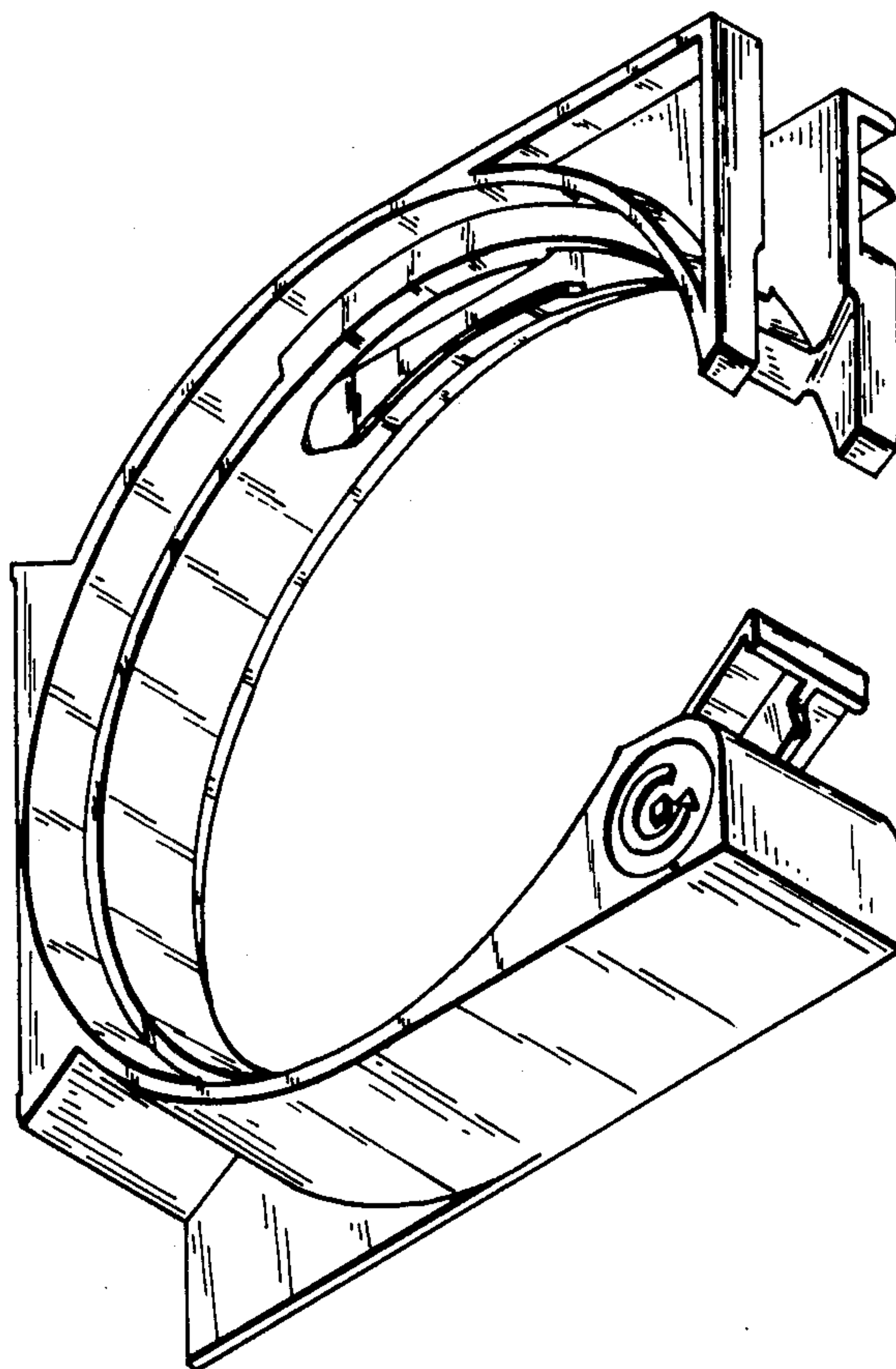
Primary Examiner—Wallace R. Burke
Assistant Examiner—Catherine Kemper
Attorney, Agent, or Firm—R. W. Hampton

[57] **CLAIM**

The ornamental design for a film magazine or the like,
as shown and described.

DESCRIPTION

FIG. 1 is a bottom, front and left perspective view of a
film magazine or the like showing our new design; and
FIG. 2 is a top, back and right perspective view thereof.



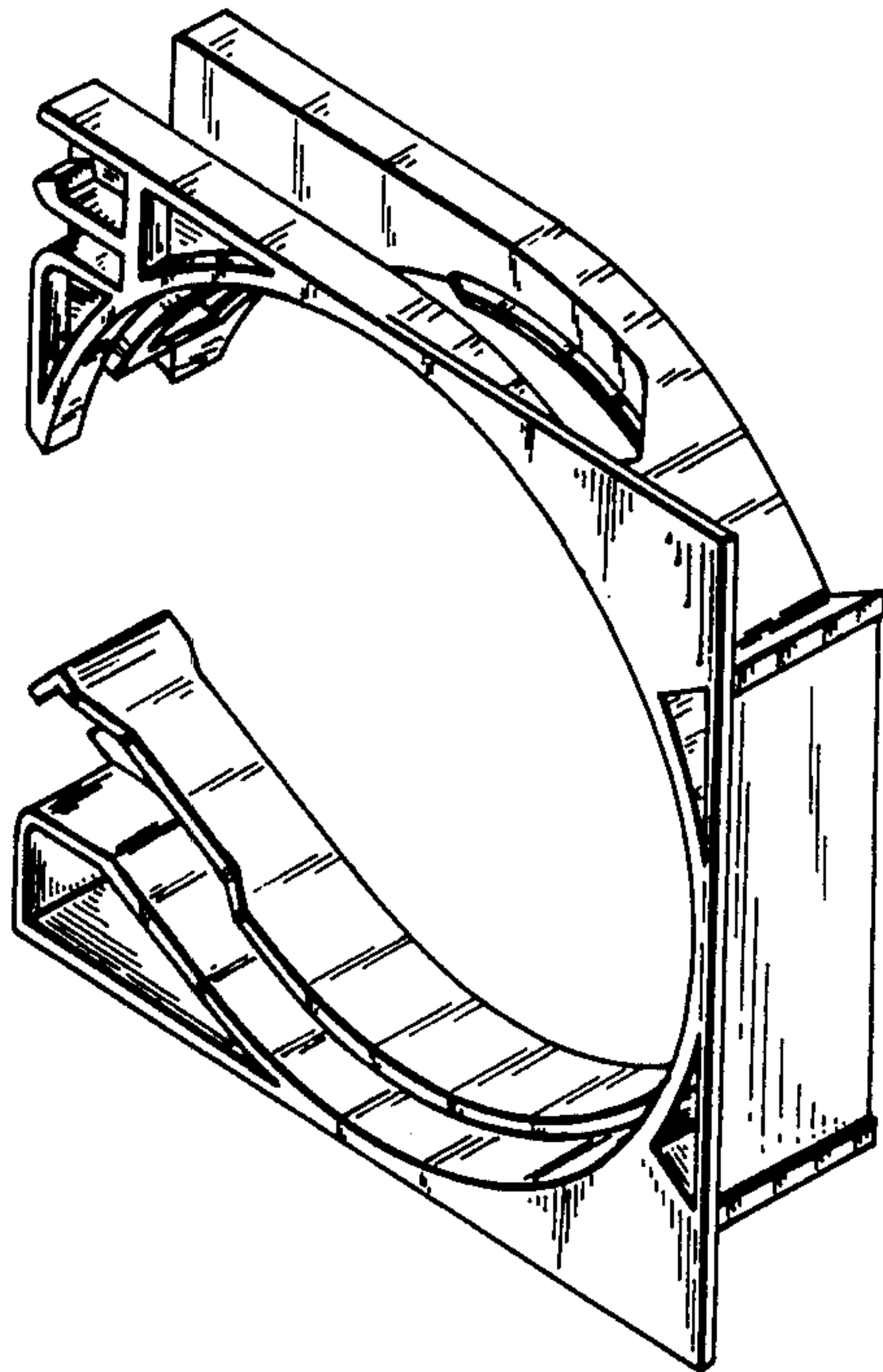


FIG. 2

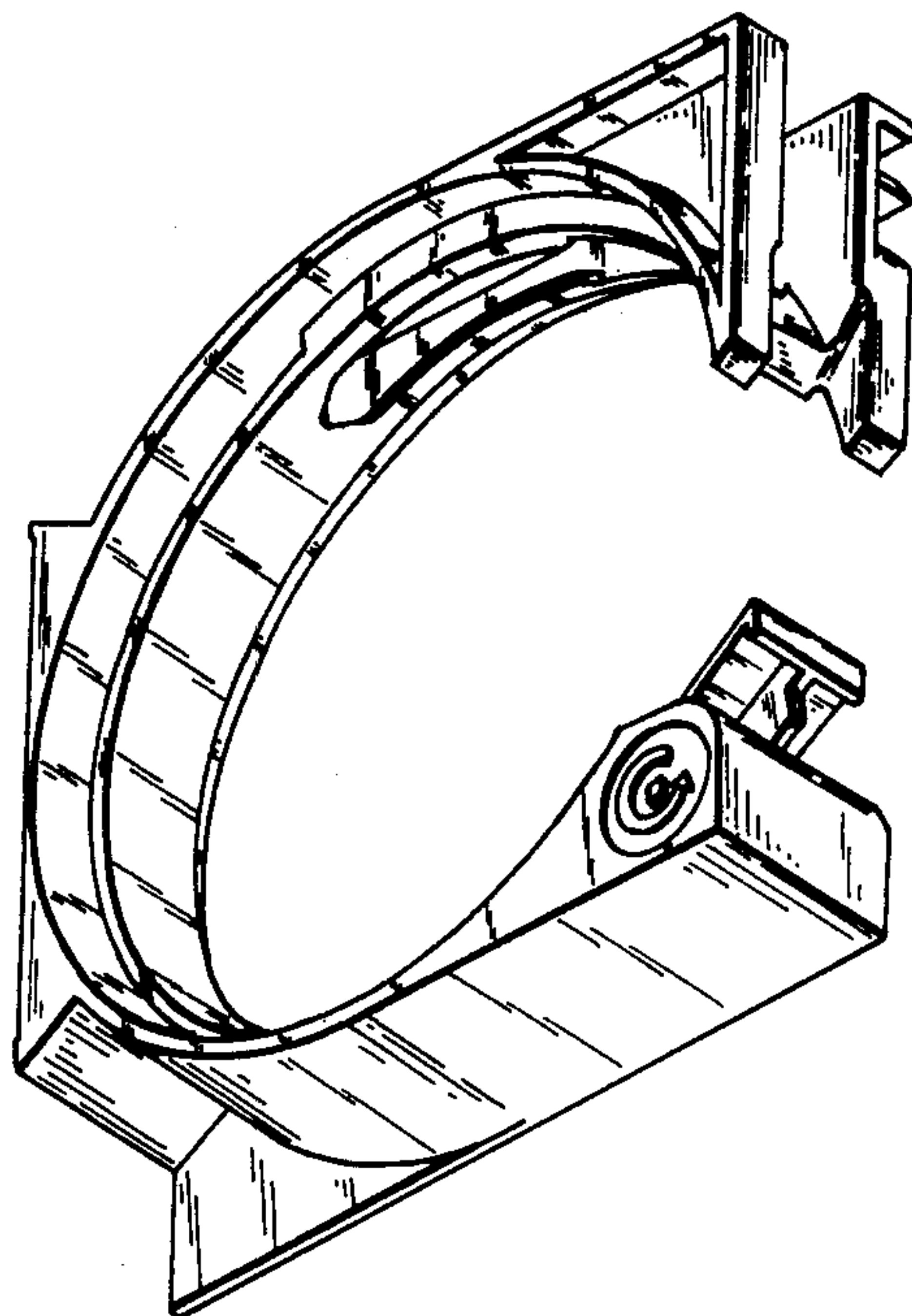


FIG. 1