

[54] POTTER'S WHEEL

[75] Inventor: John W. Ebstein, Roslyn Heights, N.Y.

[73] Assignee: Gabriel Industries, Inc., New York, N.Y.

[**] Term: 14 Years

[21] Appl. No.: 682,942

[22] Filed: May 3, 1976

[51] Int. Cl. D19-06

[52] U.S. Cl. D19/35

[58] Field of Search D19/35; 425/459

[56] References Cited

U.S. PATENT DOCUMENTS

3,040,409 6/1962 Elliott 425/459 X

D. 228,091 8/1973 Soldner D19/35
D. 233,696 11/1974 Piepenburg D19/35

Primary Examiner—Alan P. Douglas
Attorney, Agent, or Firm—Arthur H. Seidel

[57] CLAIM

The ornamental design for a potter's wheel, substantially as shown and described.

DESCRIPTION

FIG. 1 is a front perspective view of an ornamental design for a potter's wheel, in accordance with the present invention;

FIG. 2 is a front view thereof;

FIG. 3 is a rear view thereof;

FIG. 4 is a left side view thereof;

FIG. 5 is a right side view thereof;

FIG. 6 is a top view thereof; and

FIG. 7 is a bottom view thereof.

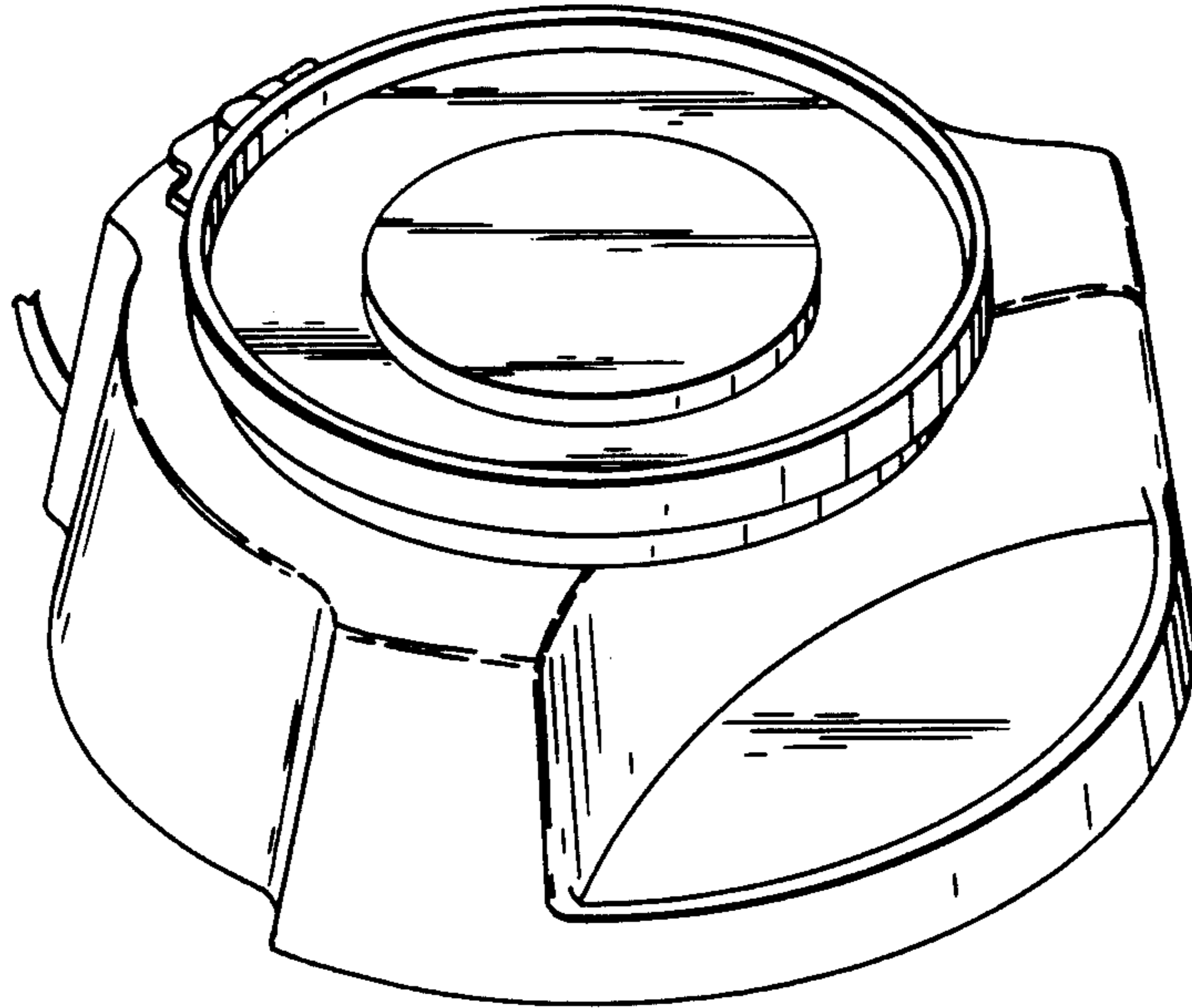


FIG. 1

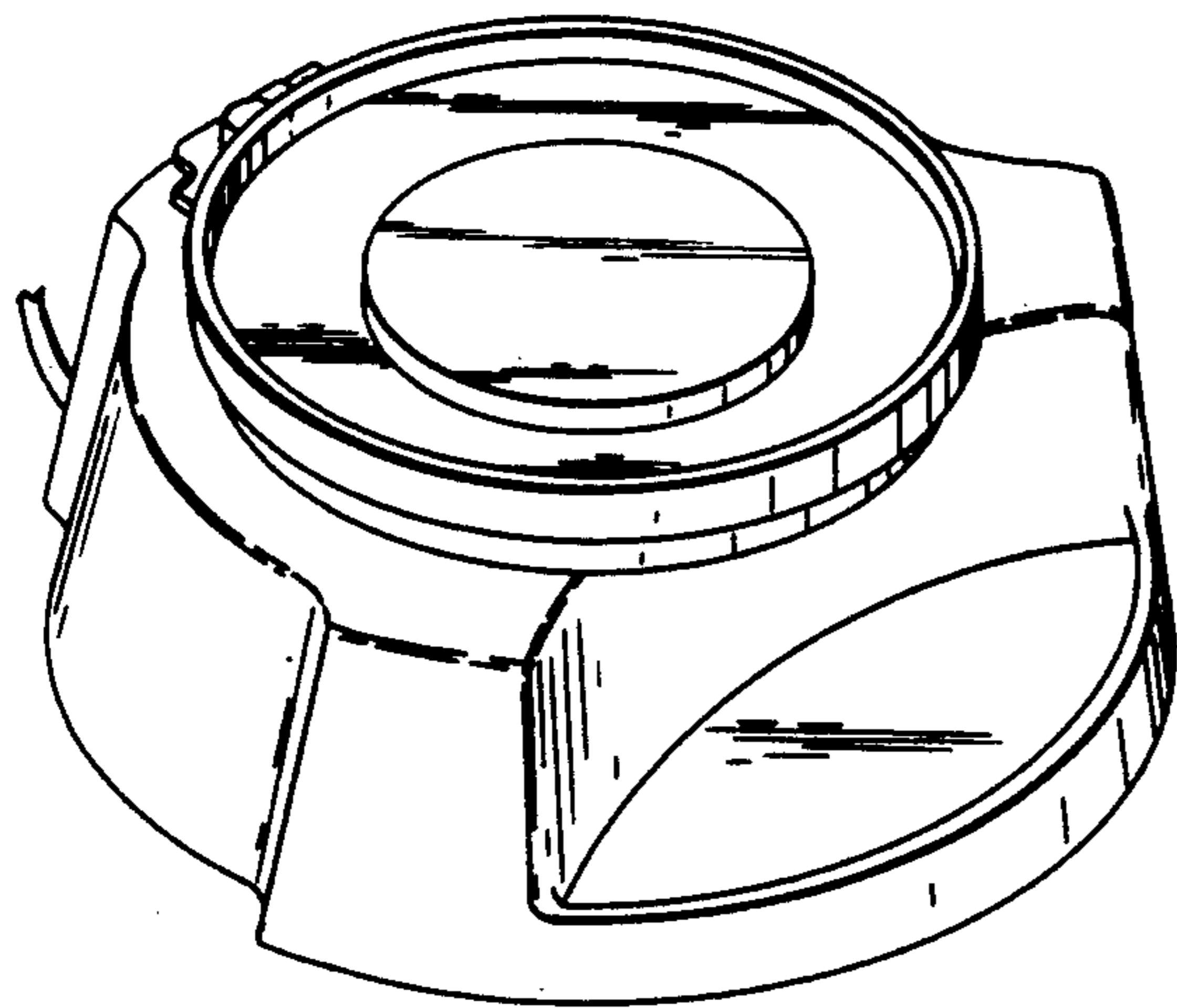


FIG. 2

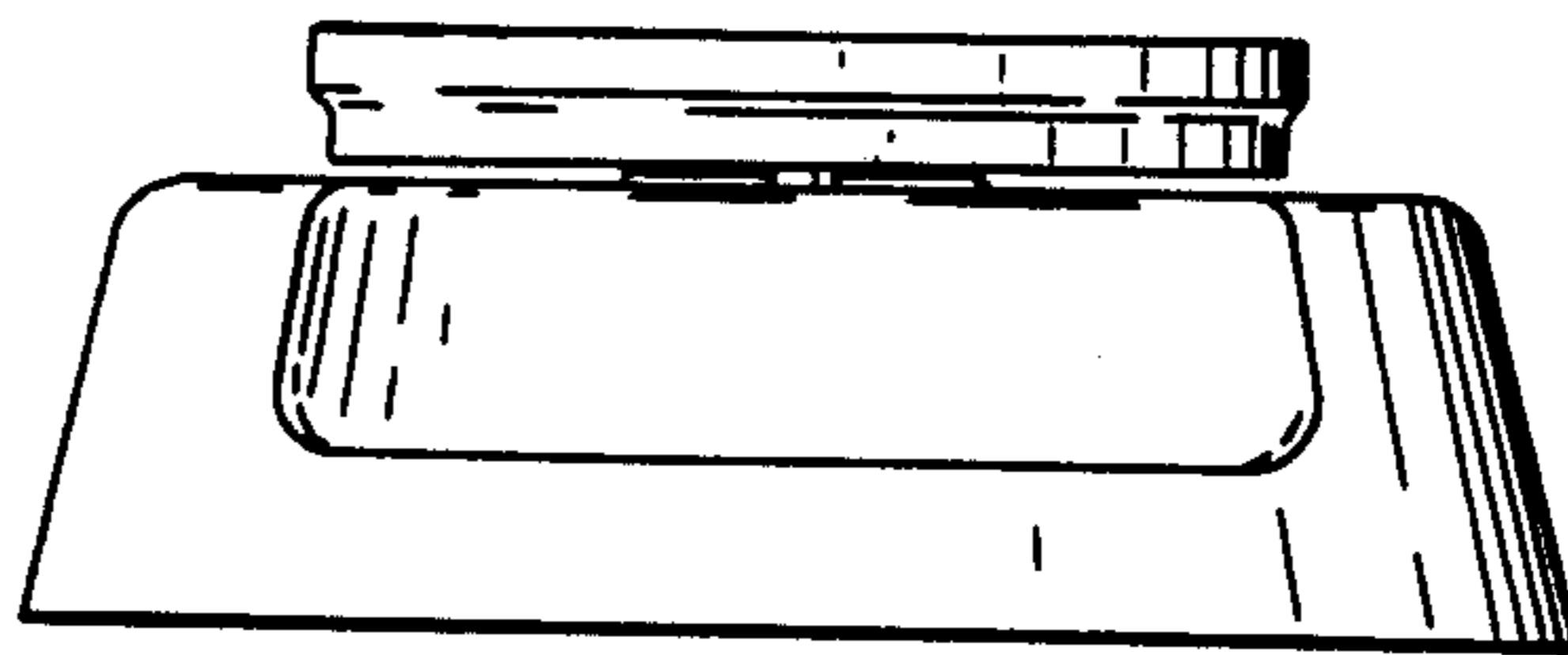


FIG. 3

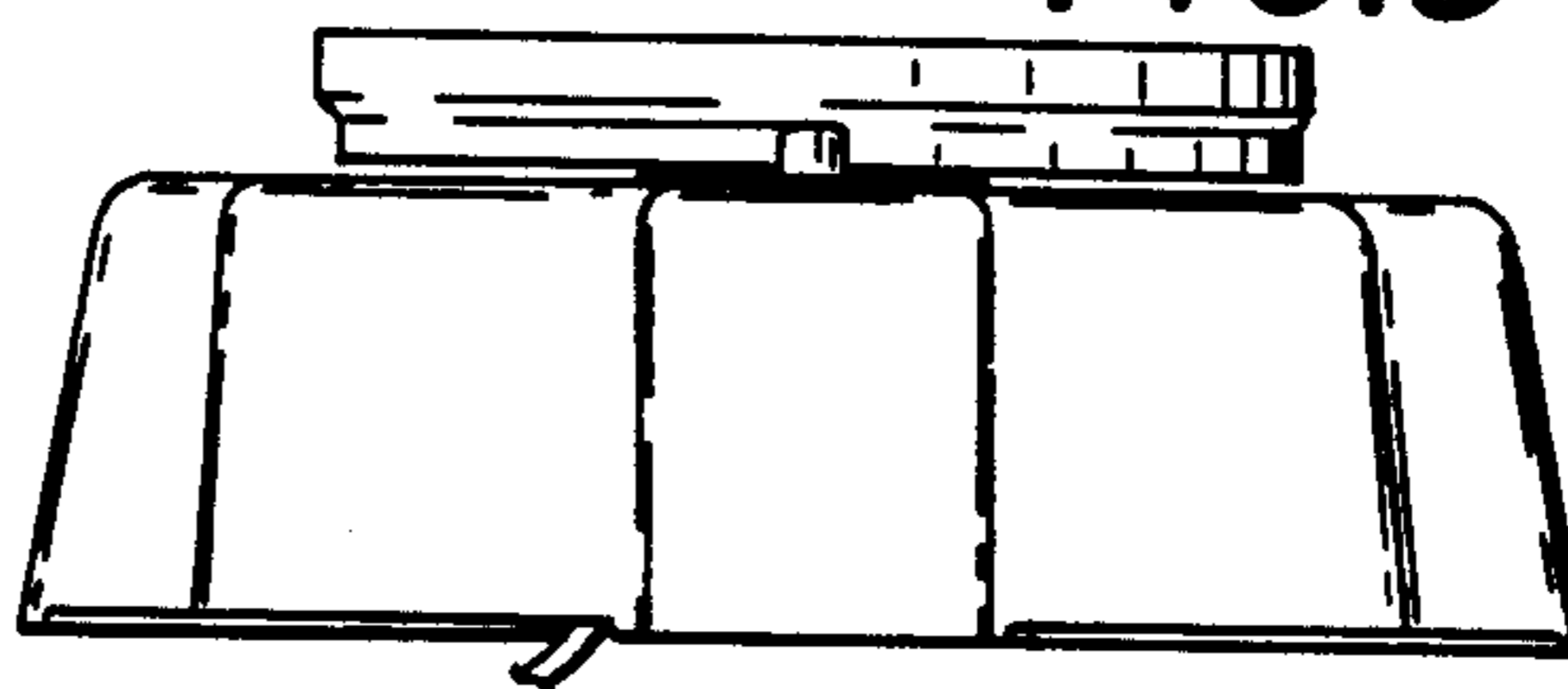


FIG. 4

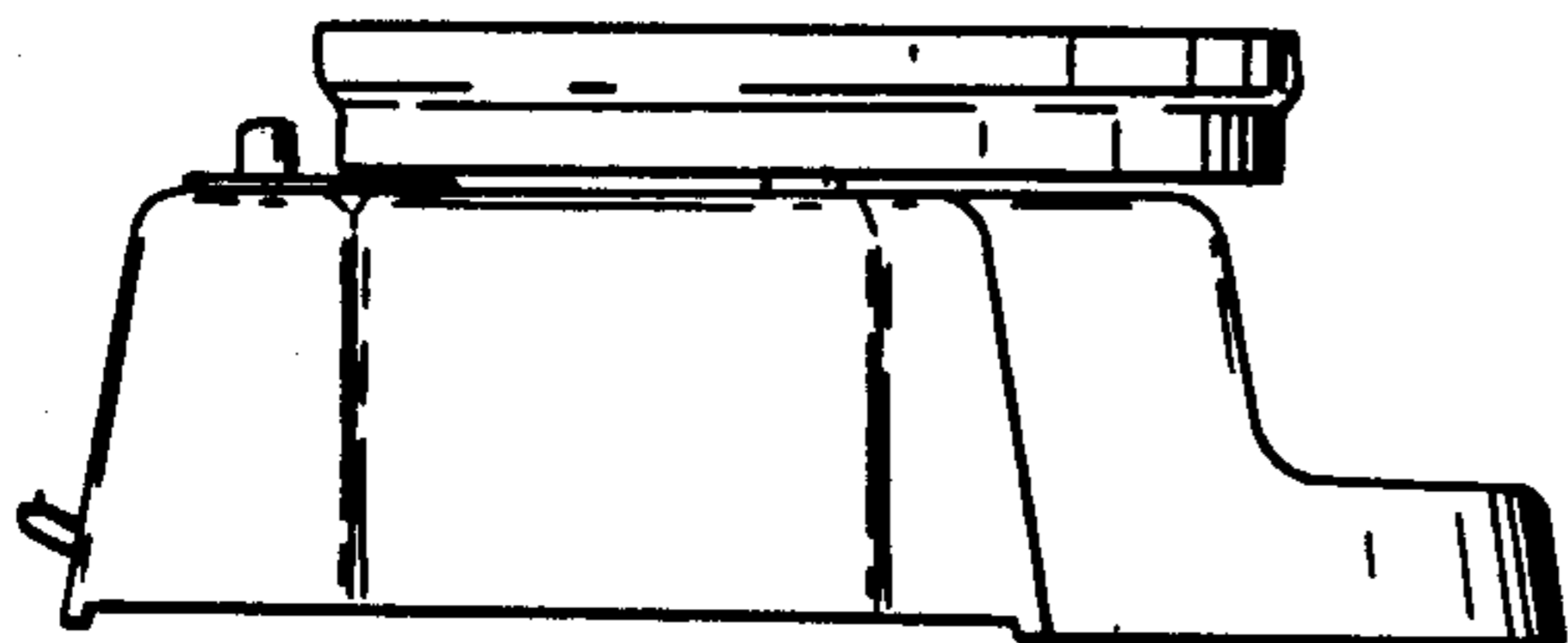


FIG. 5

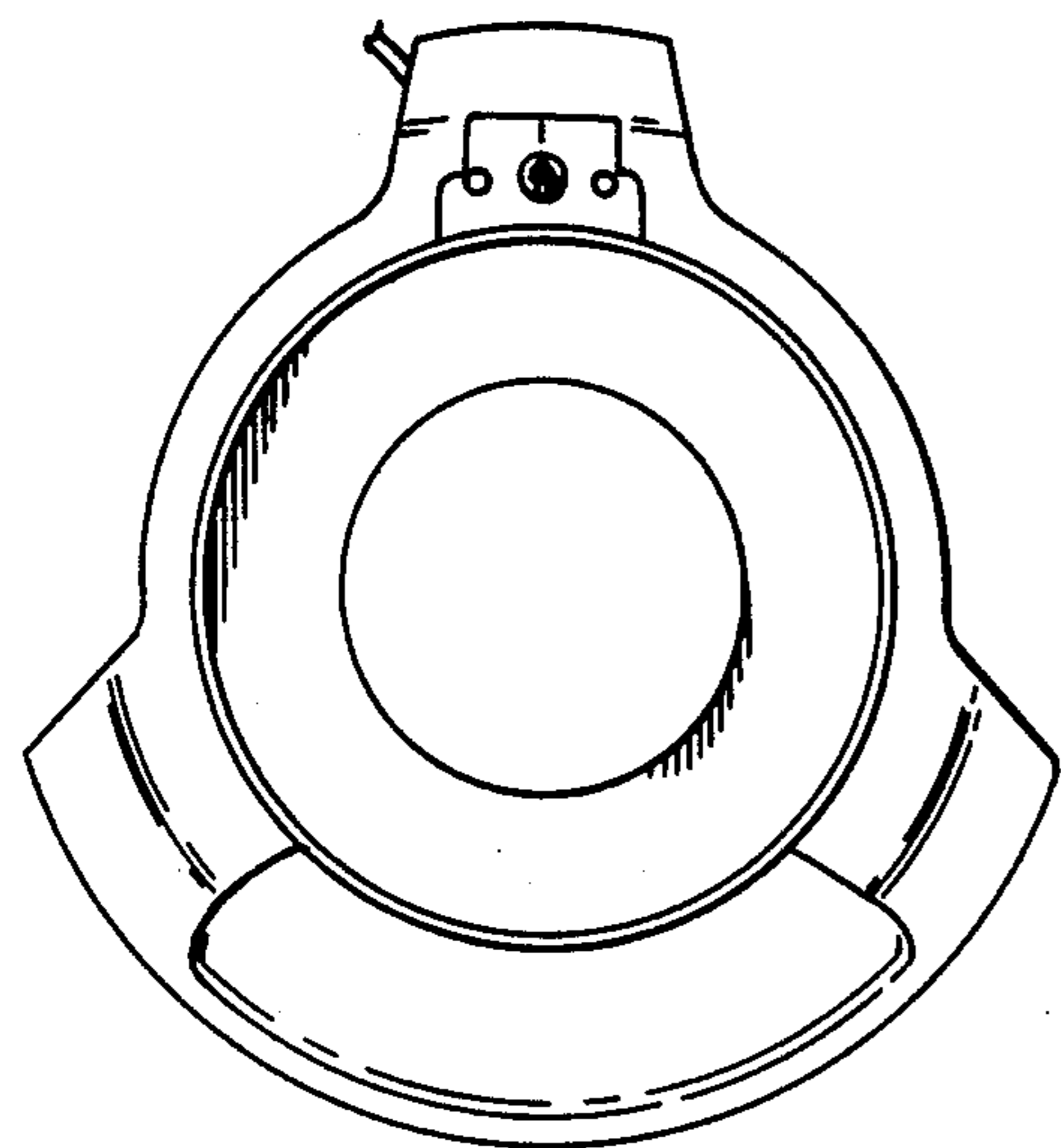
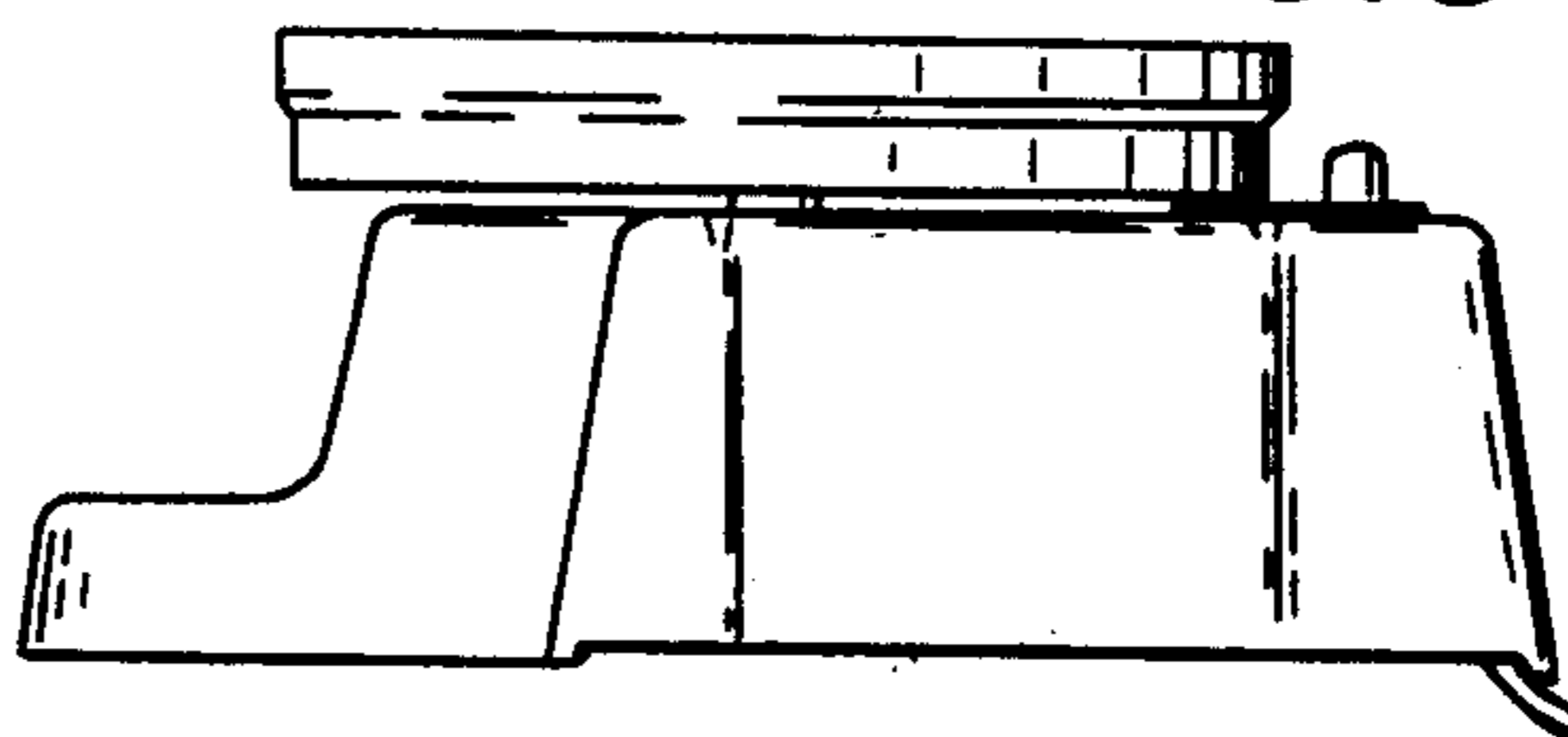


FIG. 6

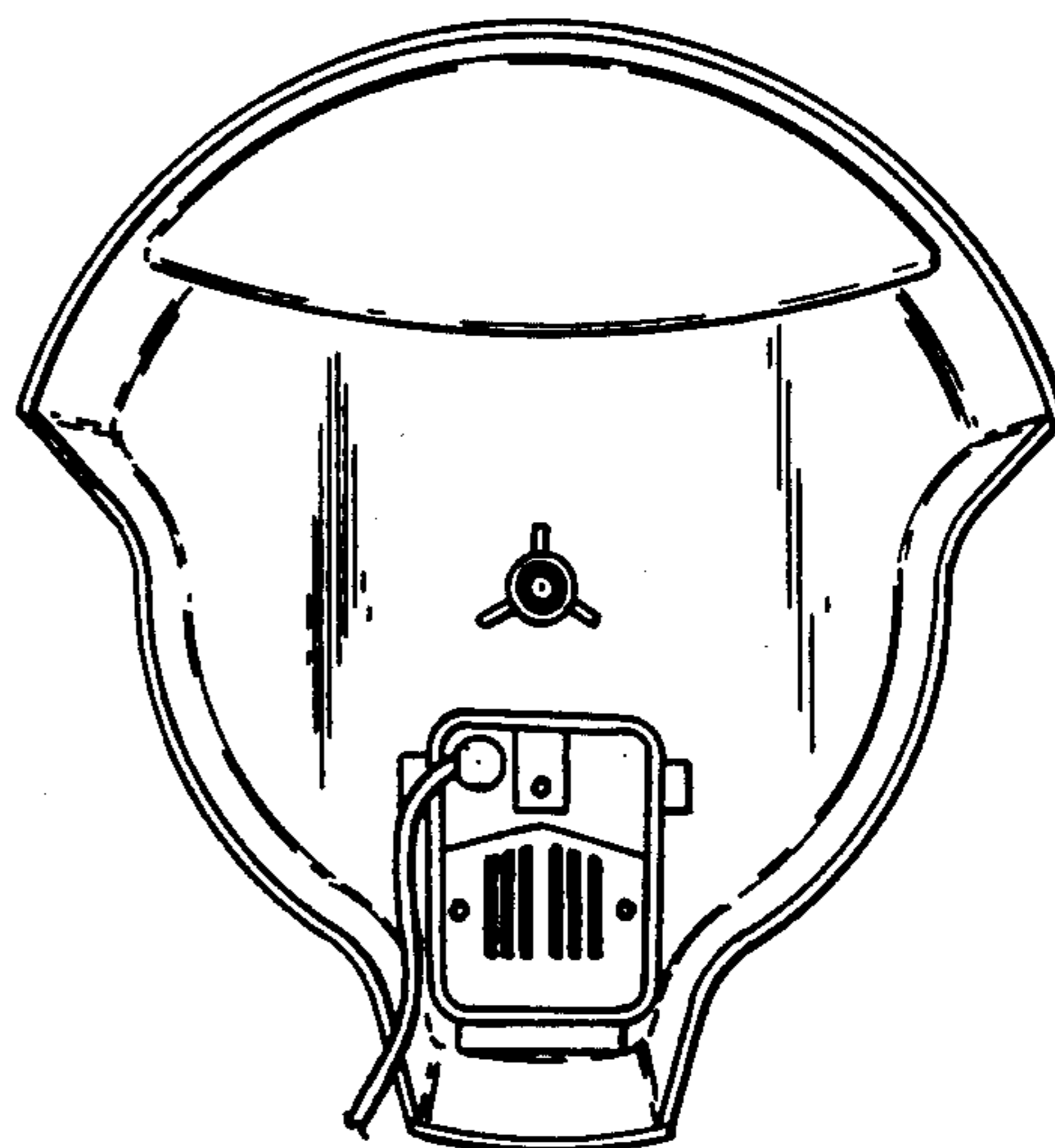


FIG. 7