

[54] SLURRY DISPENSING APPARATUS

[76] Inventor: Ernest E. Mills, R.R. No. 1,
Straughn, Ind. 47387

[**] Term: 14 Years

[21] Appl. No.: 642,005

[22] Filed: Dec. 18, 1975

[51] Int. Cl.² D15-04

[52] U.S. Cl. D15/19

[58] Field of Search D15/19; D55/1 D

[56] References Cited

U.S. PATENT DOCUMENTS

D. 192,102 1/1962 Machovec D55/1 D

OTHER PUBLICATIONS

Goldblatt Trowell Trades Tools 1974 catalog, rec'd
Apr. 15, 1975, p. 58, Texture Machine at left of page.

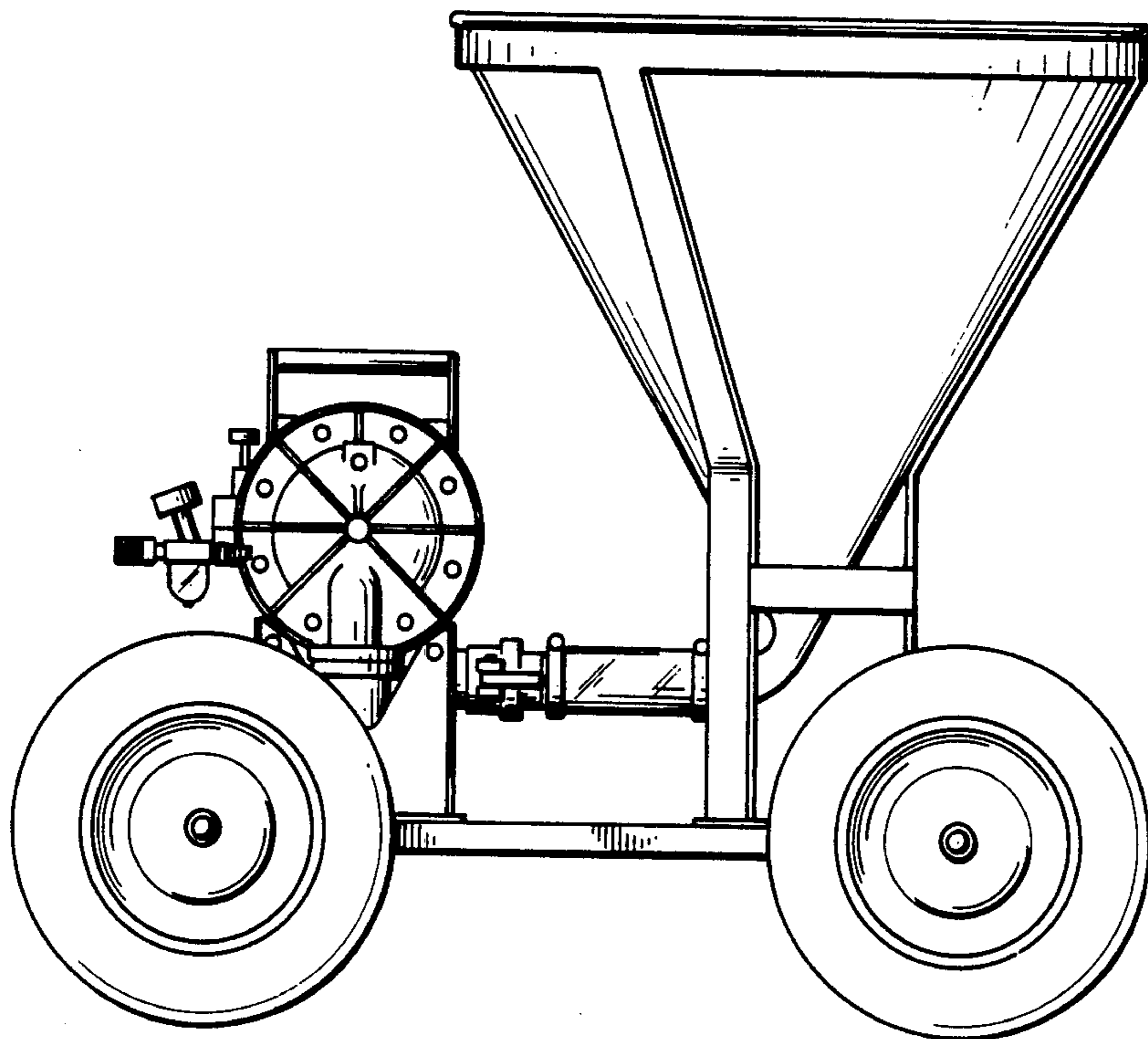
Primary Examiner—Alan P. Douglas
Attorney, Agent, or Firm—Harold R. Woodard

[57] CLAIM

The ornamental design for a slurry dispensing apparatus, as shown and described.

DESCRIPTION

FIG. 1 is a side elevational view of my slurry dispensing apparatus showing my new design; FIG. 2 is a top plan view thereof; FIG. 3 is a front elevational view thereof; FIG. 4 is a front elevational view thereof; and FIG. 5 is a bottom plan view thereof.



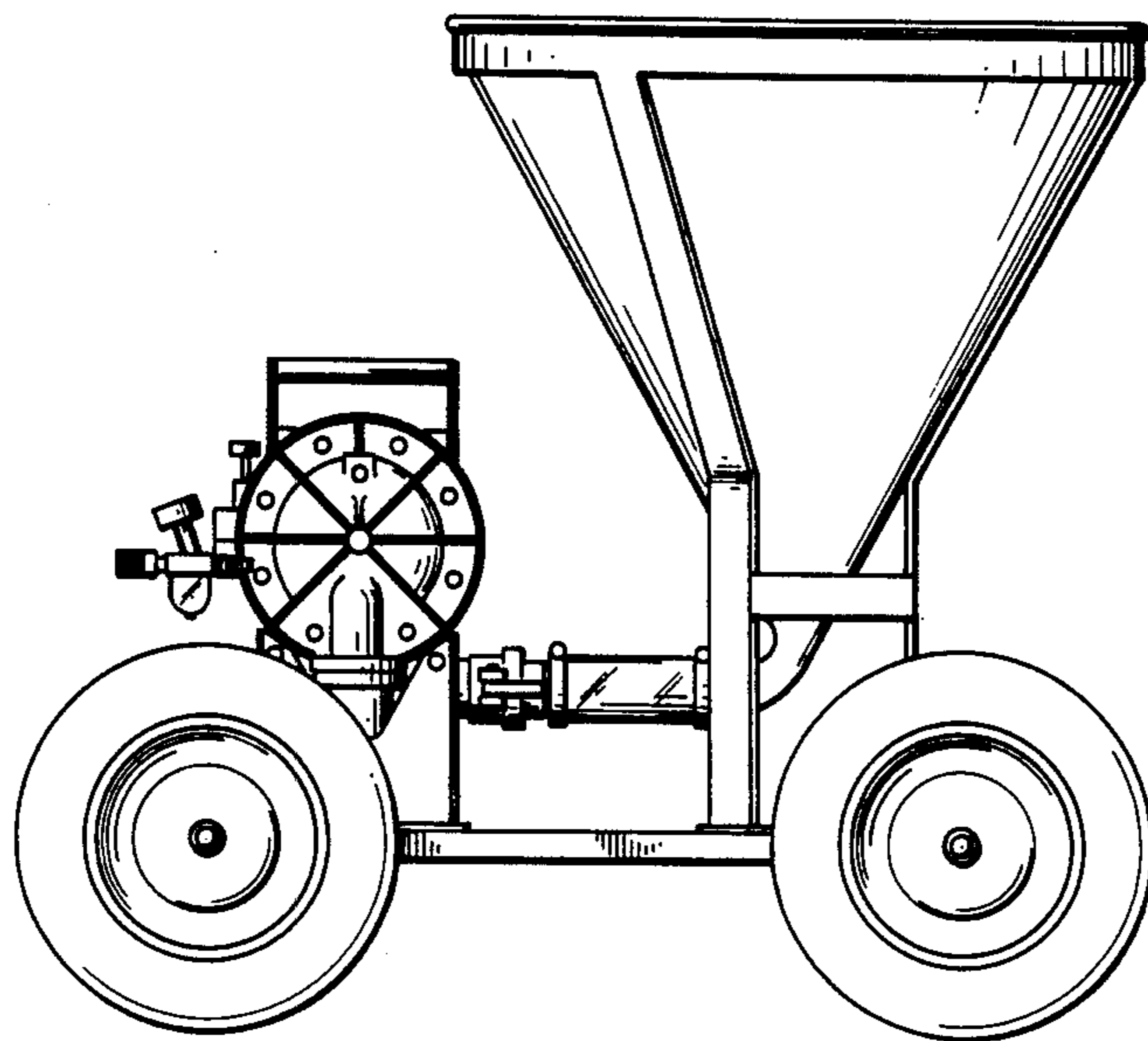


Fig. 1

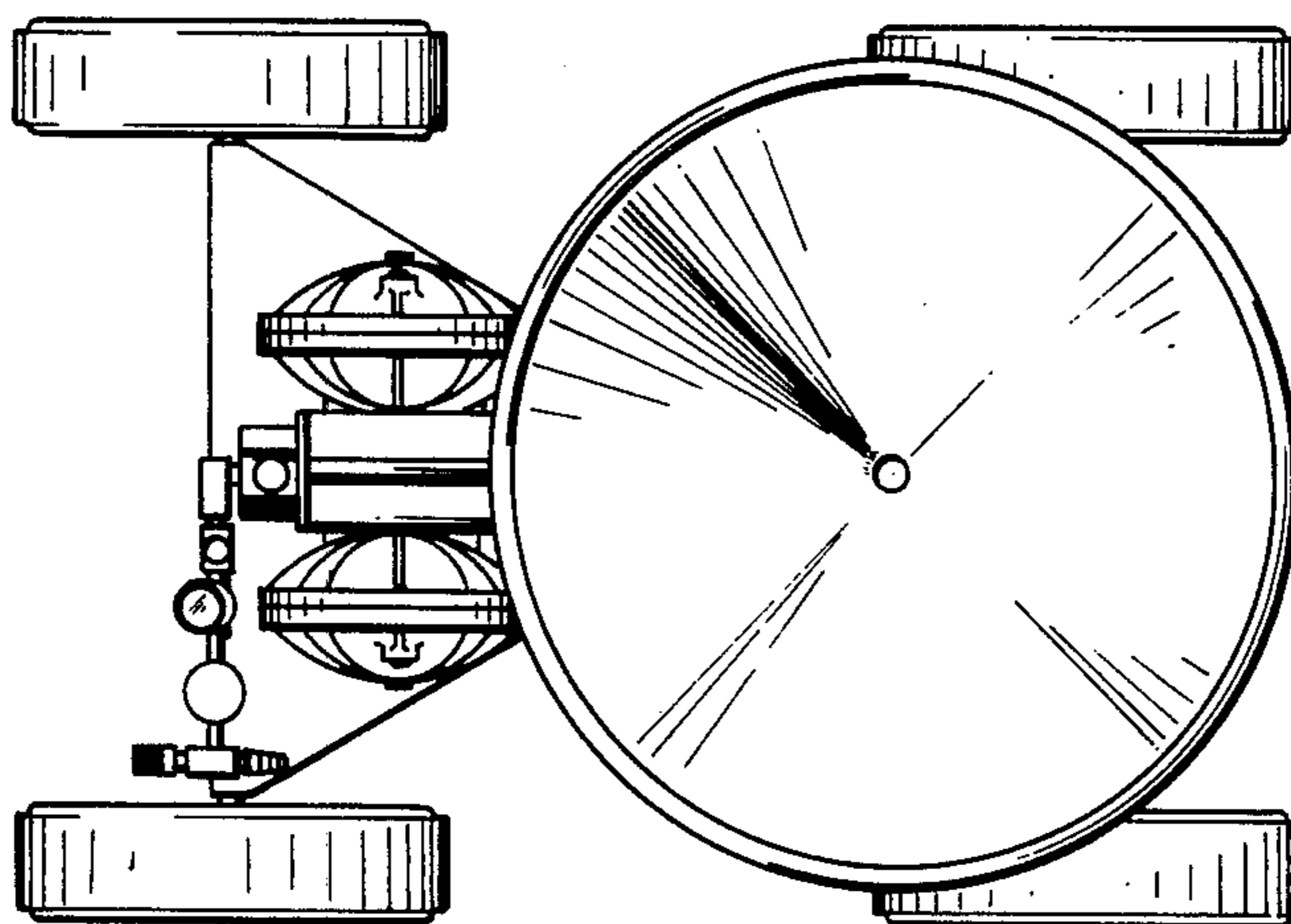


Fig. 2

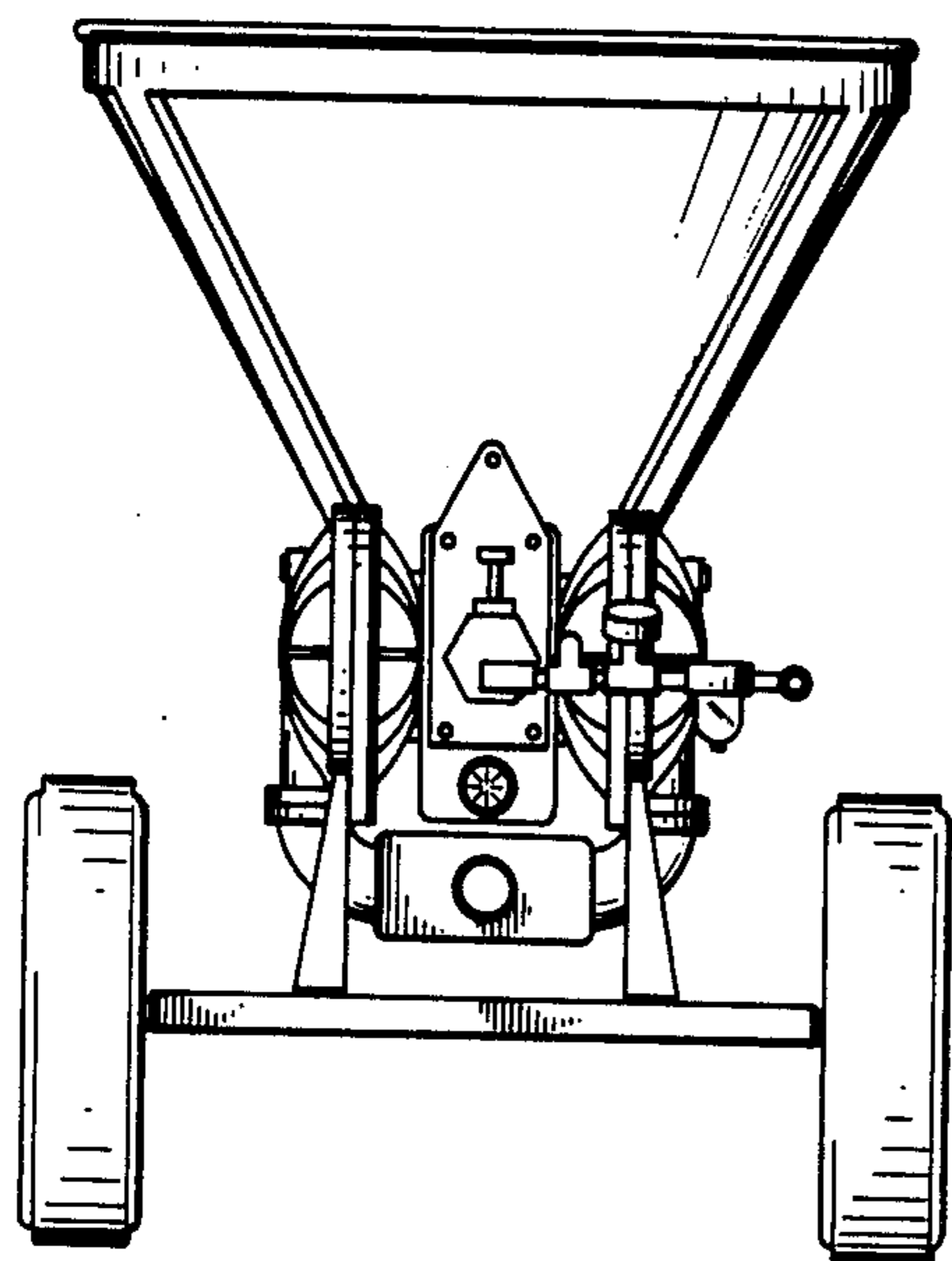


Fig. 3

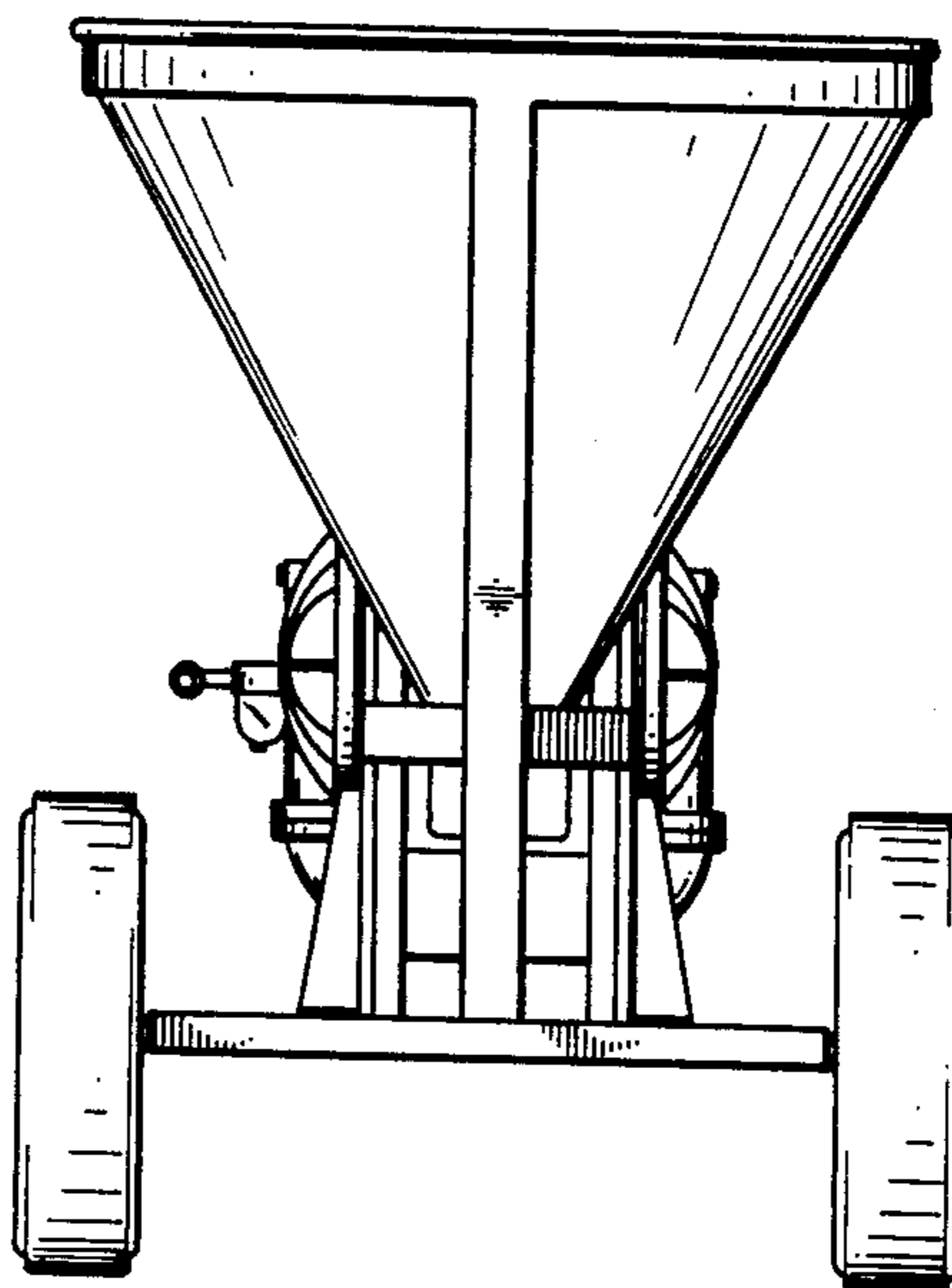


Fig. 4

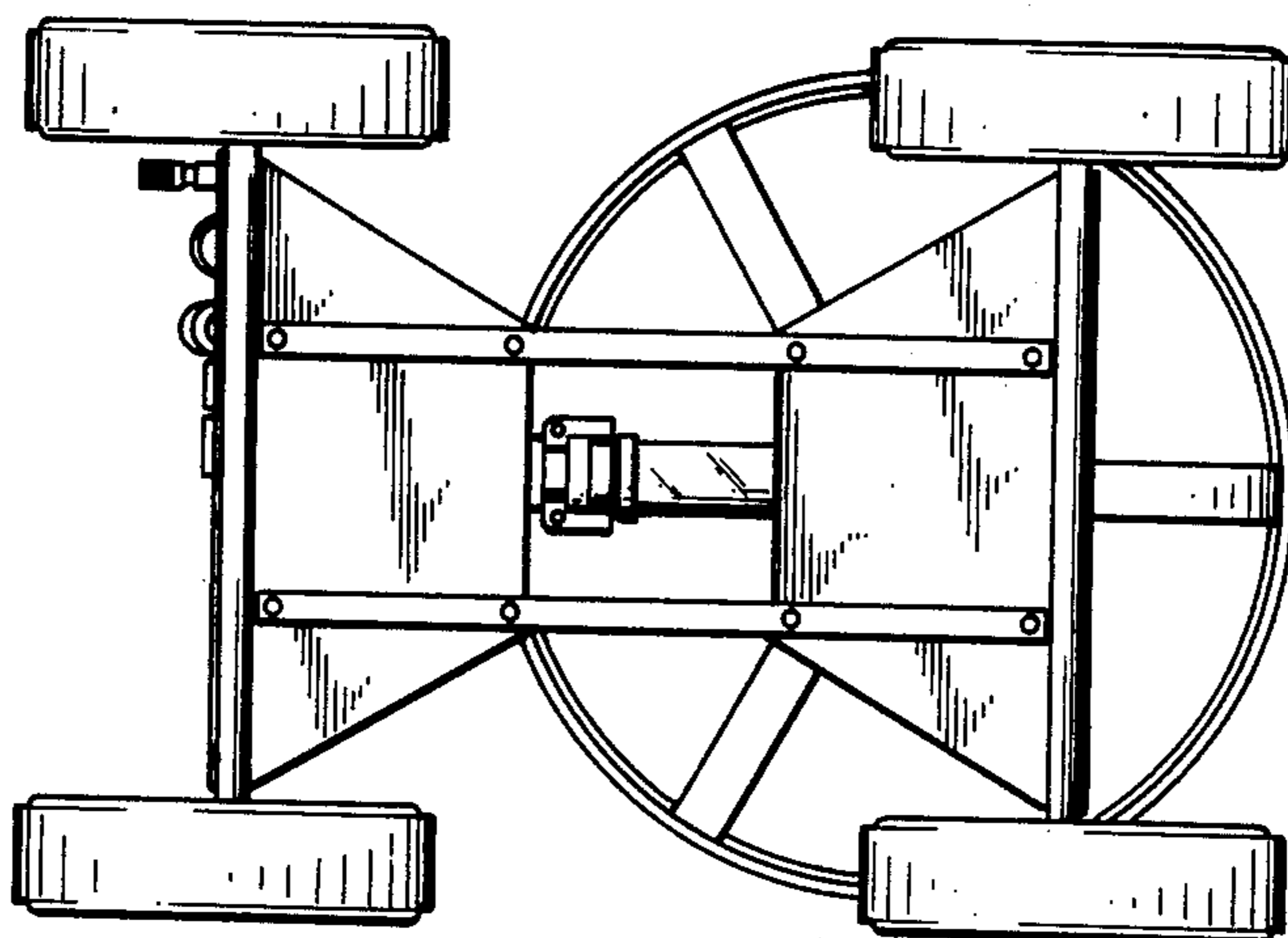


Fig. 5