

[54] COMPRESSOR

[75] Inventor: Alan Carter, Tenbury Wells, England

[73] Assignee: The Hydrovane Compressor Company, England

[\*\*] Term: 14 Years

[21] Appl. No.: 598,290

[22] Filed: July 23, 1975

[30] Foreign Application Priority Data  
Feb. 10, 1975 United Kingdom ..... 969801/75

[51] Int. Cl.<sup>2</sup> ..... D15-02

[52] U.S. Cl. .... D15/9

[58] Field of Search ..... D15/7-9;  
417/410, 423, 424; D65/1, 1 A

[56] References Cited

U.S. PATENT DOCUMENTS

D. 91,804	3/1934	Cornelius et al. ....	D15/9
D. 93,356	9/1934	McAllister .....	D65/1 A
D. 178,105	6/1956	Zulinke .....	D65/1 A

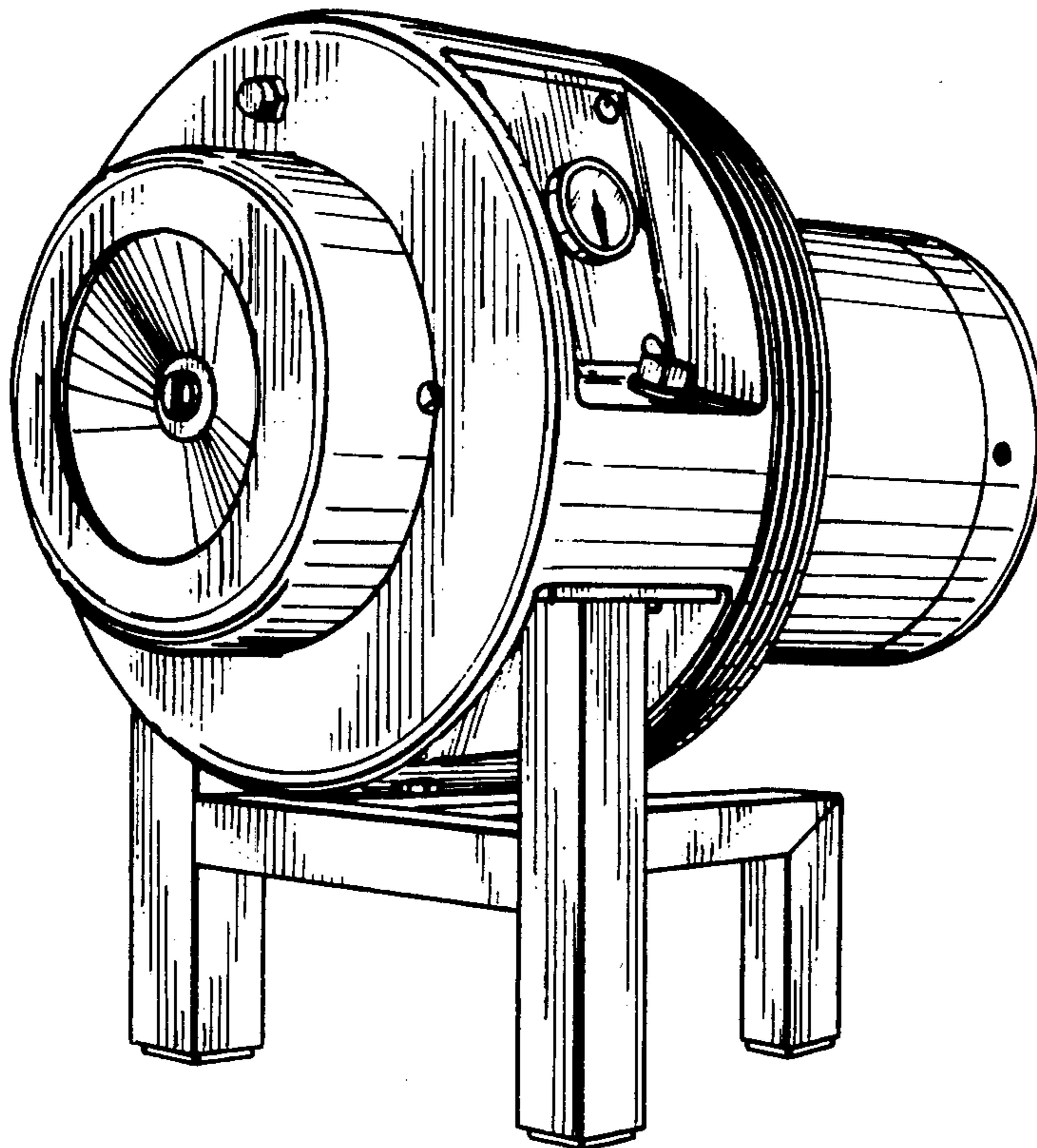
Primary Examiner—James R. Largen  
Attorney, Agent, or Firm—Lawrence R. Radanovic

[57] CLAIM

The ornamental design for a compressor, substantially as shown.

DESCRIPTION

FIG. 1 is a perspective view of a compressor showing my new design;  
FIG. 2 is a top plan view thereof;  
FIG. 3 is a front elevational view thereof;  
FIG. 4 is an elevational view taken from one end thereof;  
FIG. 5 is a rear elevational view thereof; and  
FIG. 6 is an elevation view taken from the end opposite that shown in FIG. 3.



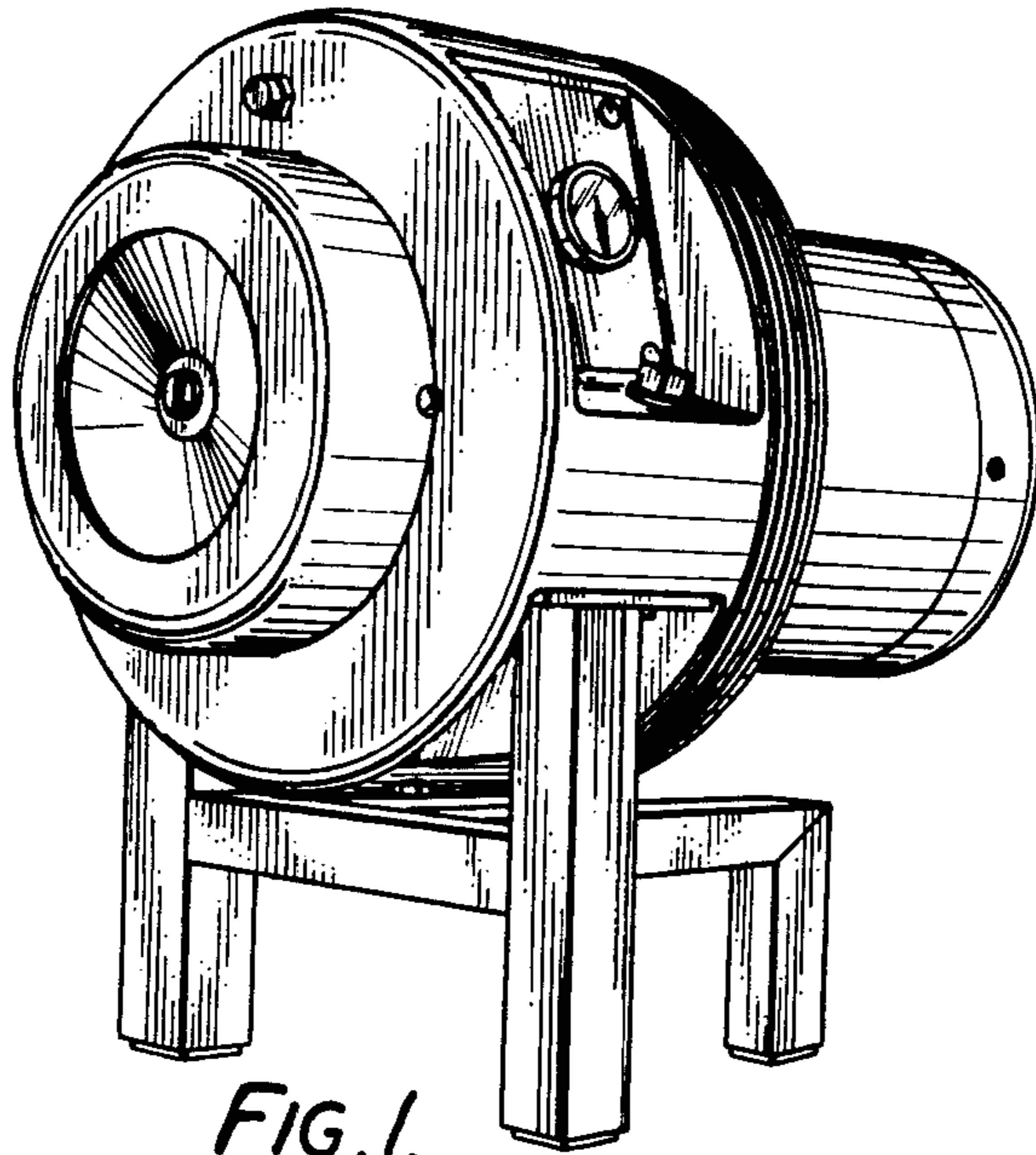


FIG. 1.

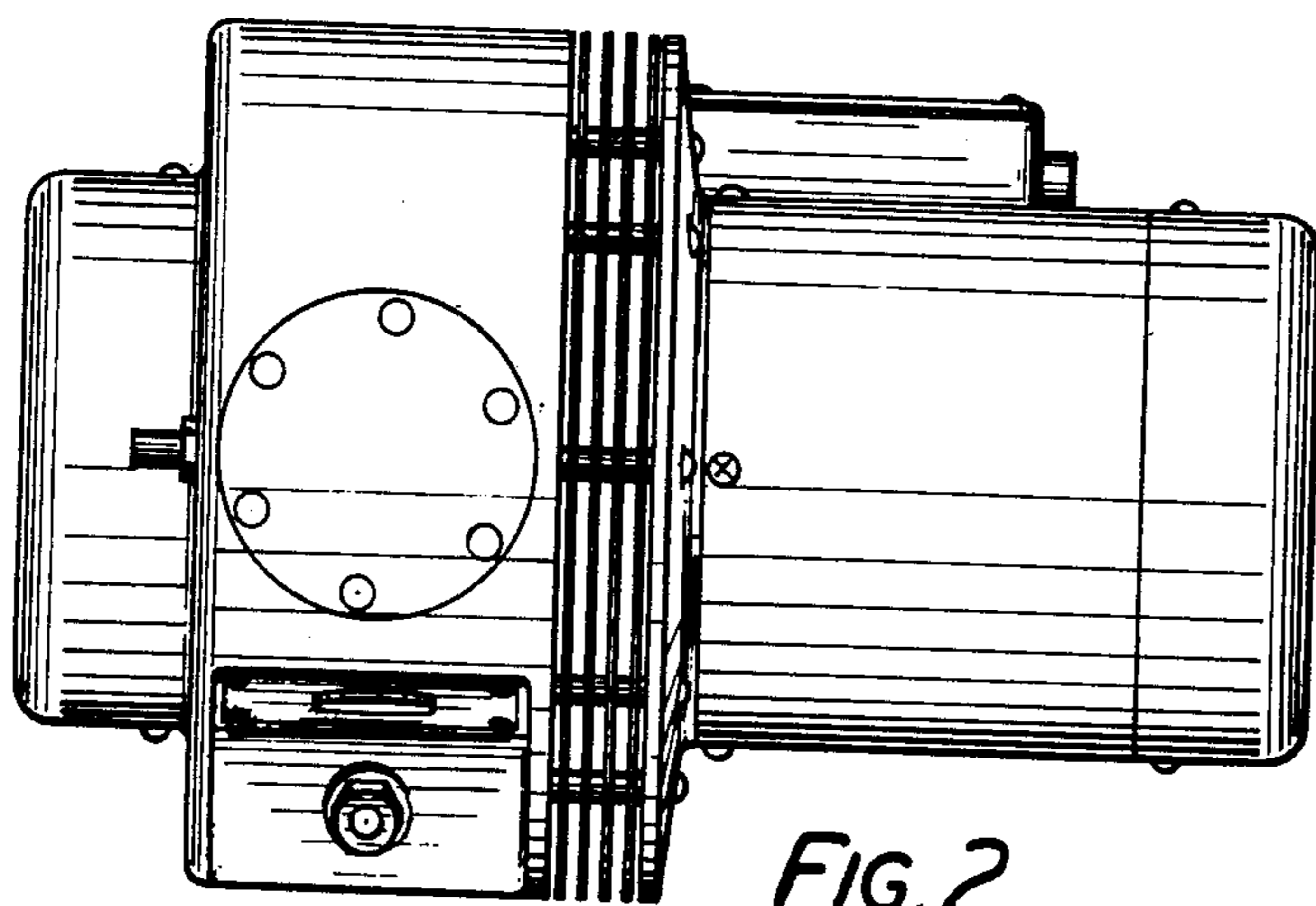


FIG. 2.

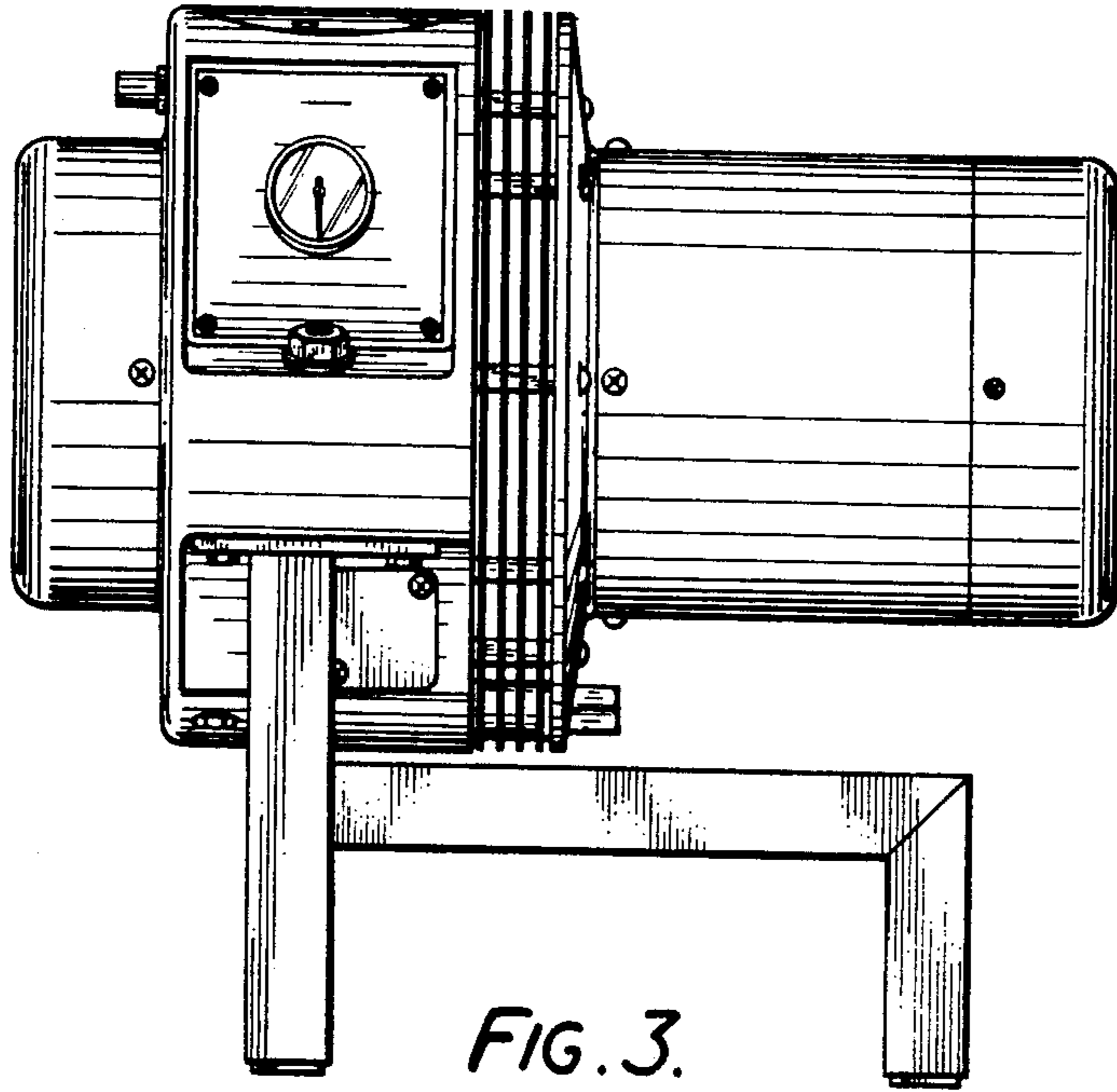


FIG. 3.

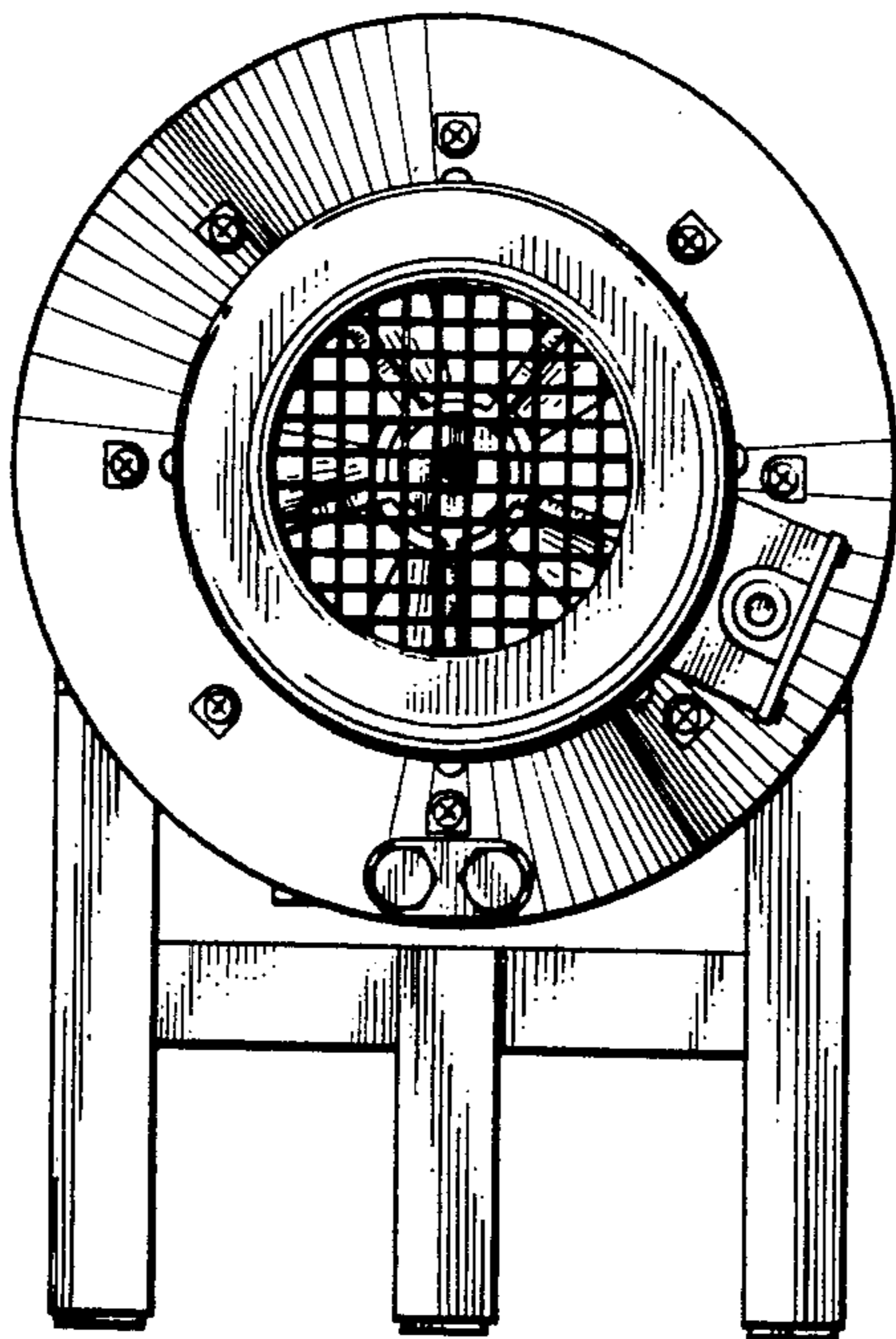


FIG. 4.

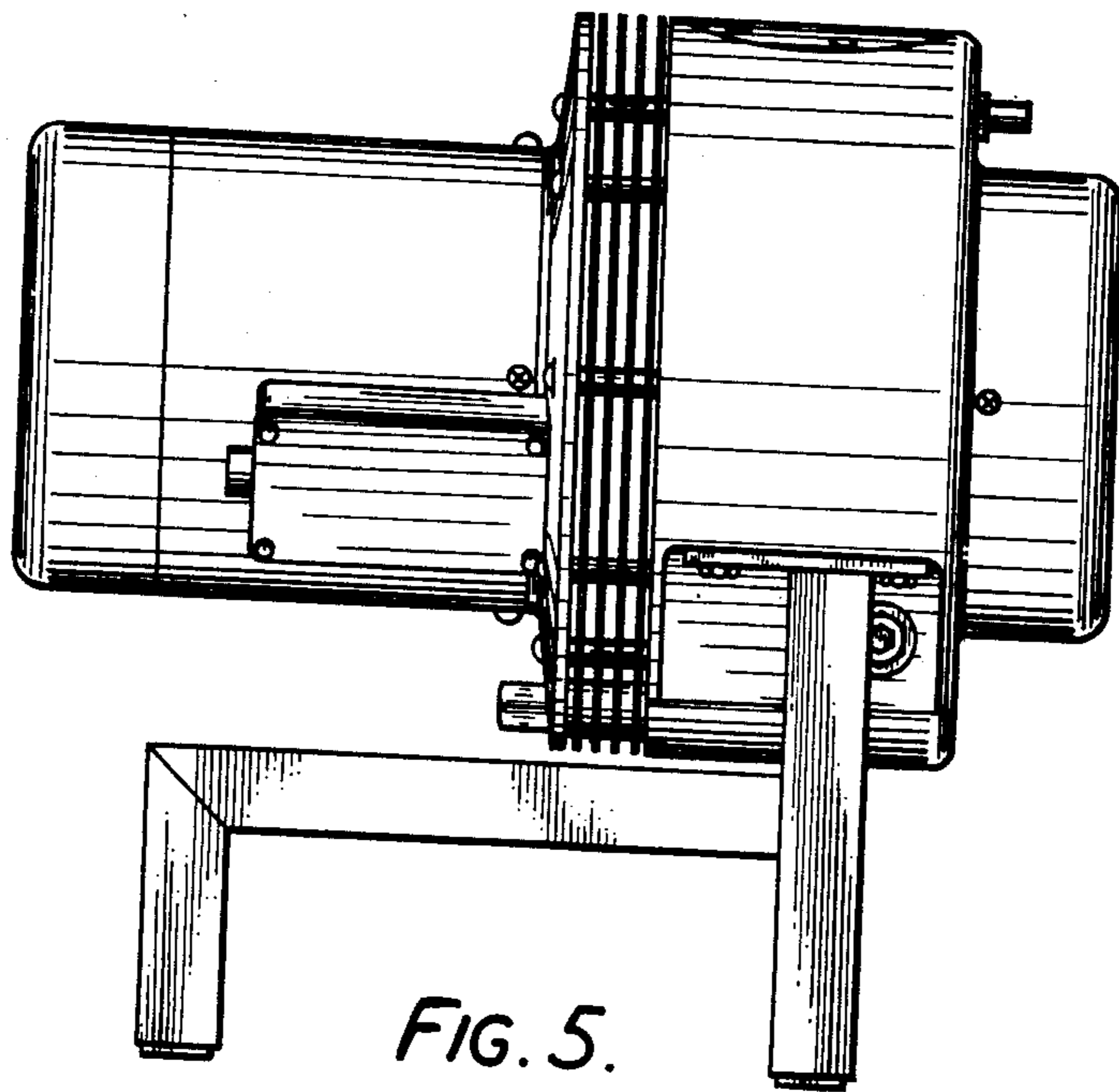


FIG. 5.

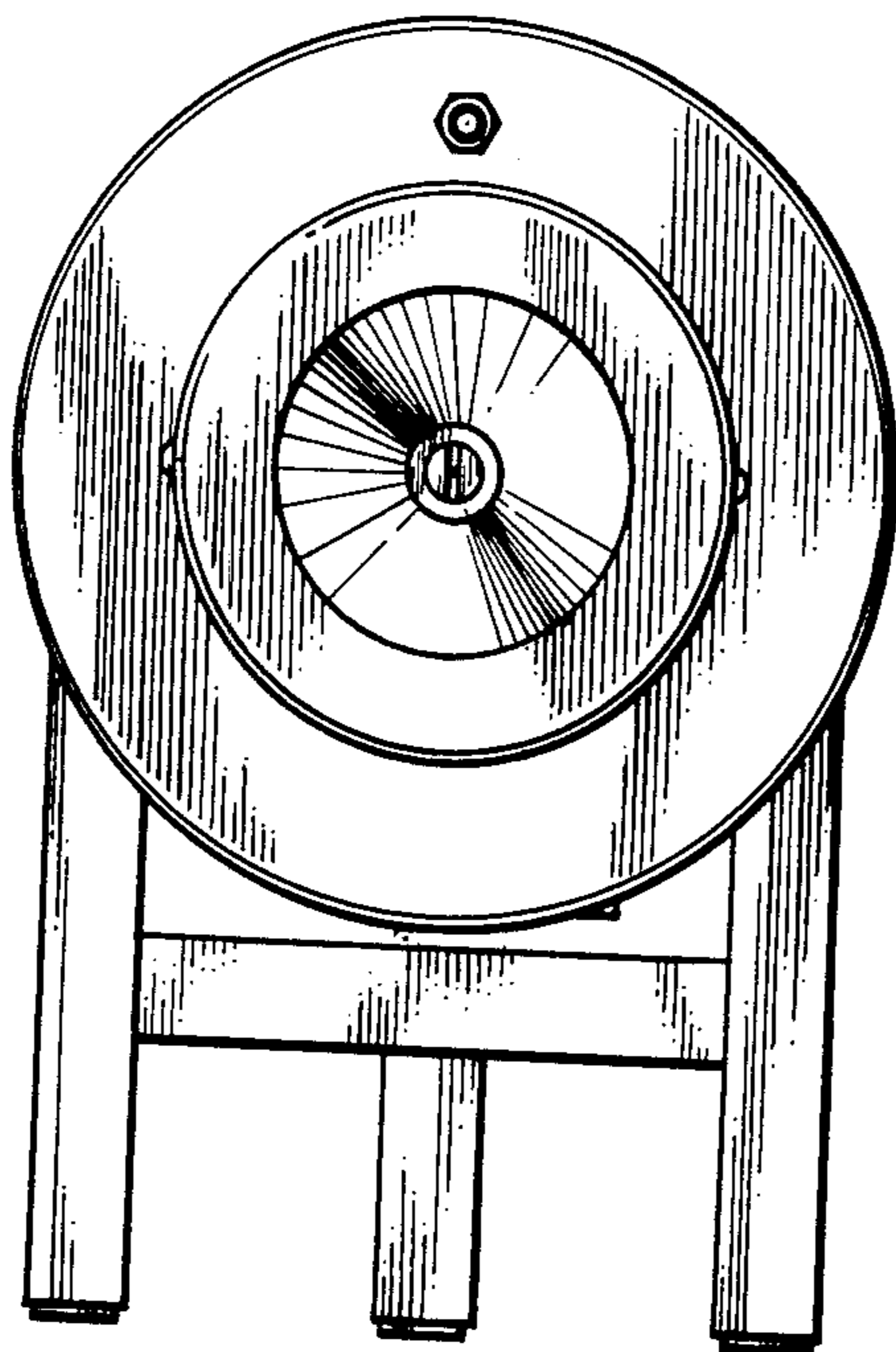


FIG. 6.