

[54] MOTORCYCLE

[75] Inventors: Makoto Hori, Wako; Koichi Arima, Tokyo; Tetsuro Kataoka, Shiki, all of Japan

[73] Assignee: Honda Giken Kogyo Kabushiki Kaisha, Tokyo, Japan

[**] Term: 14 Years

[21] Appl. No.: 672,832

[22] Filed: Apr. 1, 1976

Foreign Application Priority Data

Oct. 7, 1975 Japan50-40608

[51] Int. Cl. D12-11

[52] U.S. Cl. D12/110

[58] Field of Search D12/110, 111; 180/31, 180/32, 30, 33 R, 33 C, 34, 29

[56] References Cited

FOREIGN PATENT DOCUMENTS

1,147,647 6/1957 France 180/33 C

OTHER PUBLICATIONS

American Bicyclist & Motorcyclist, 1/76, p. 115, Motorized Bicycles, top, center and bottom of page.

American Bicyclist & Motorcyclist, 1/76, p. 116, Motorized Bicycles, top left, center right and center left side of page.

American Bicyclist & Motorcyclist, 1/76, p. 118, Motorized Bicycles, top left and center right side of page.

American Bicyclist & Motorcyclist, 2/73, p. 174, Motorized Bicycle, top center of page.

Primary Examiner—Wallace R. Burke

Assistant Examiner—James M. Gandy

Attorney, Agent, or Firm—Eric H. Waters

[57] CLAIM

The ornamental design for a motorcycle, as shown.

DESCRIPTION

FIG. 1 is a left side elevational view of the motorcycle showing our new design;

FIG. 2 is a right side elevational view thereof;

FIG. 3 is a front elevational view thereof;

FIG. 4 is a rear elevational view thereof;

FIG. 5 is a top plan view thereof;

FIG. 6 is a bottom plan view thereof.

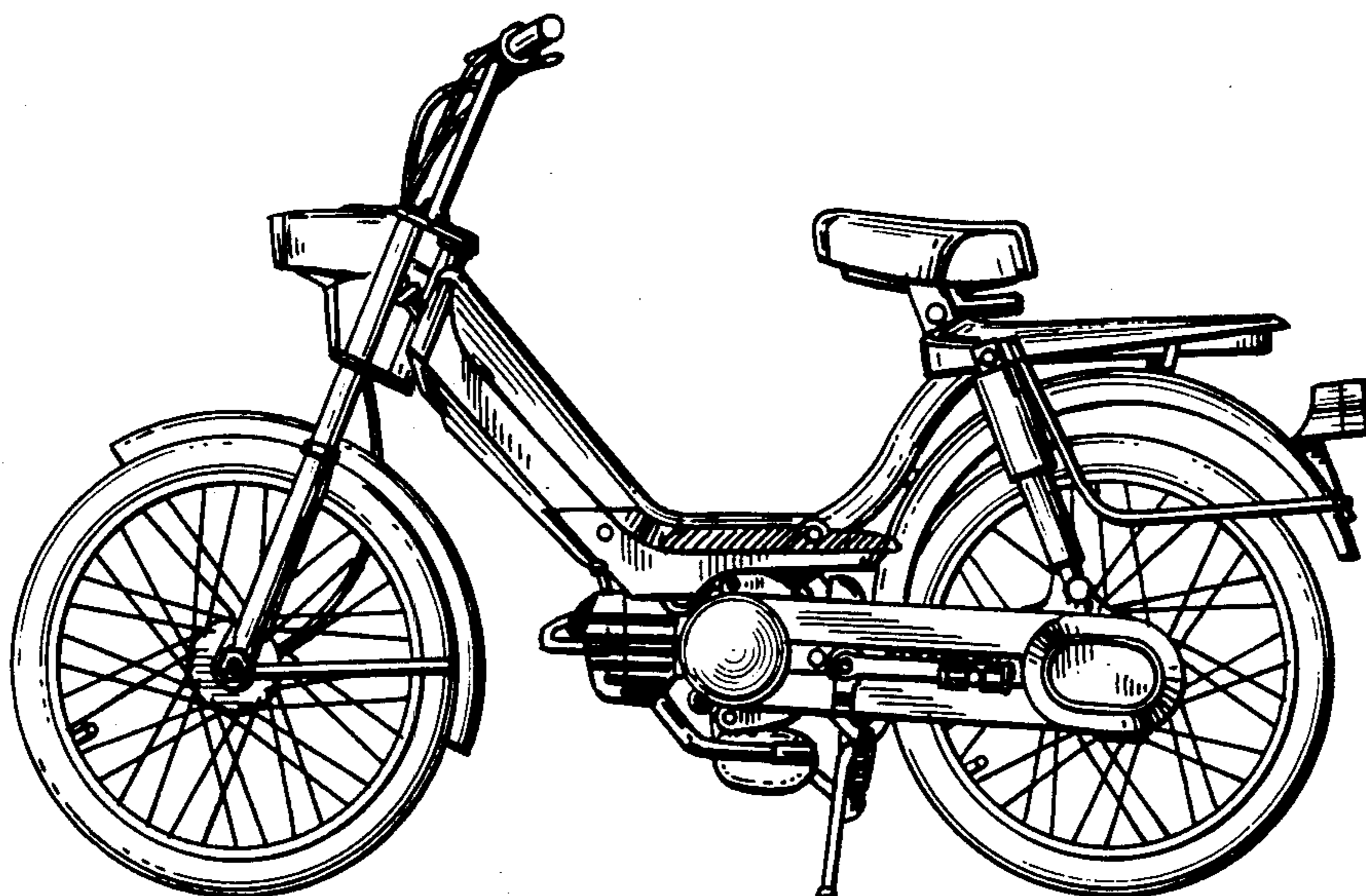


FIG. 1

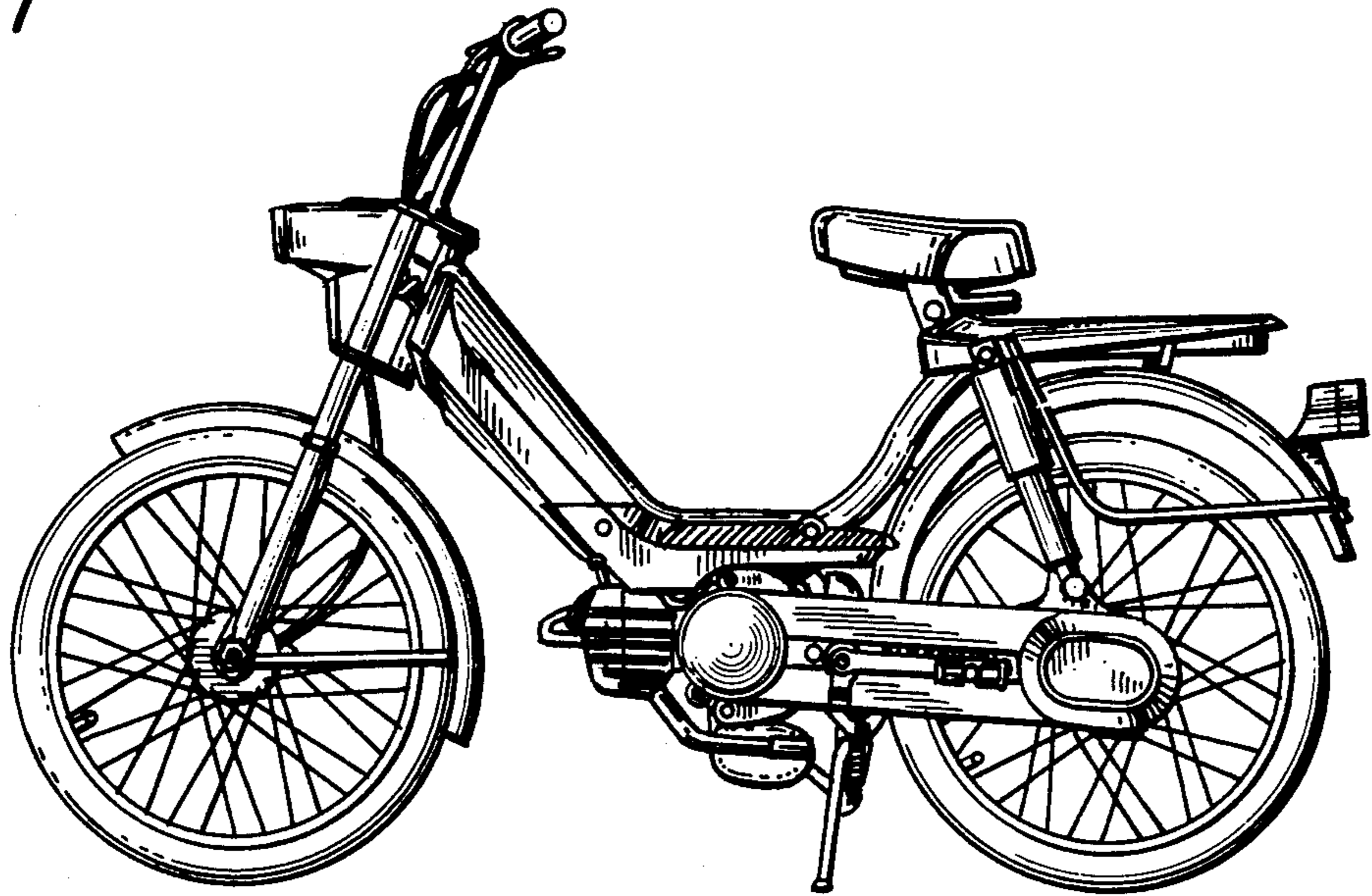
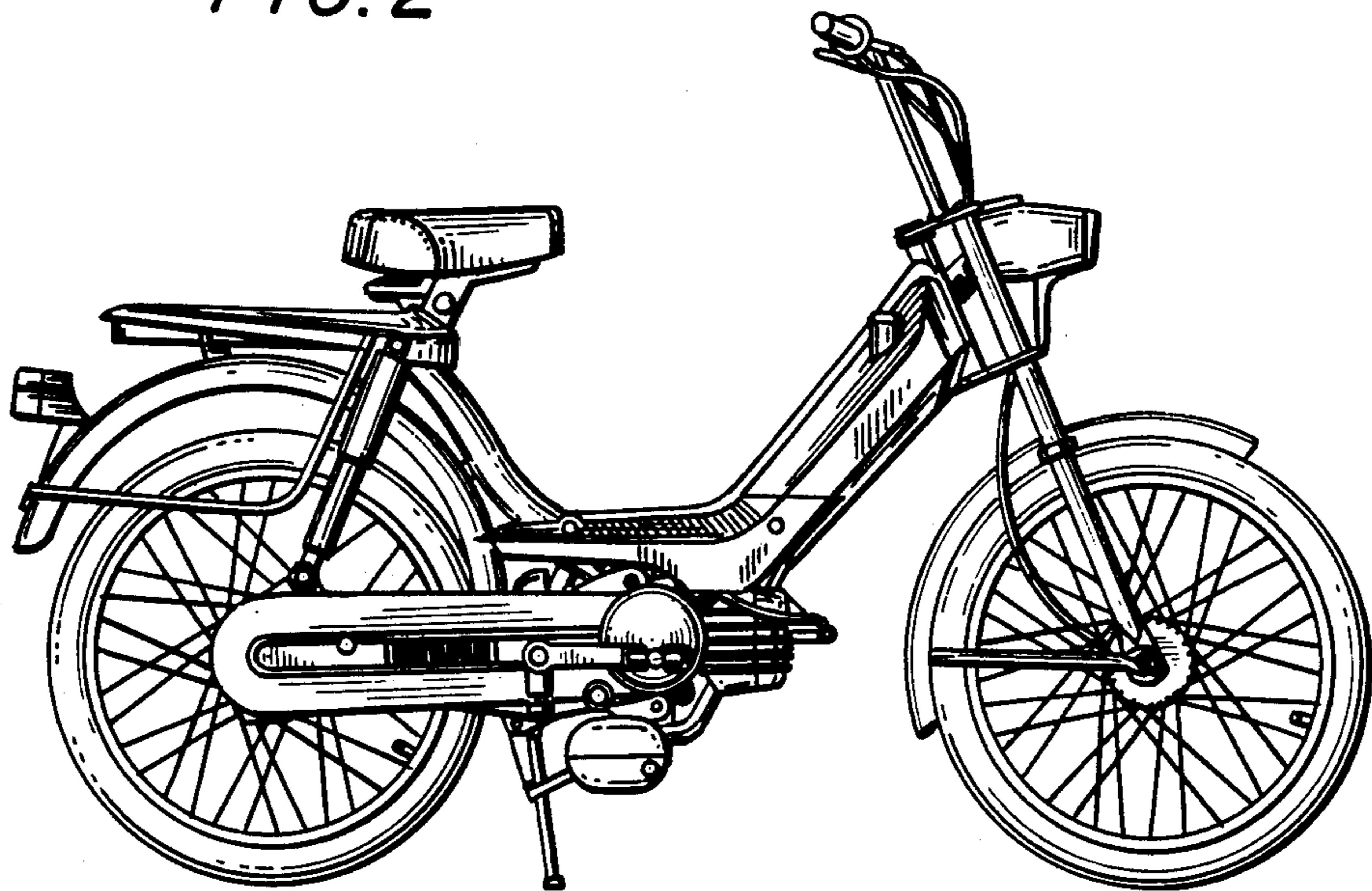


FIG. 2



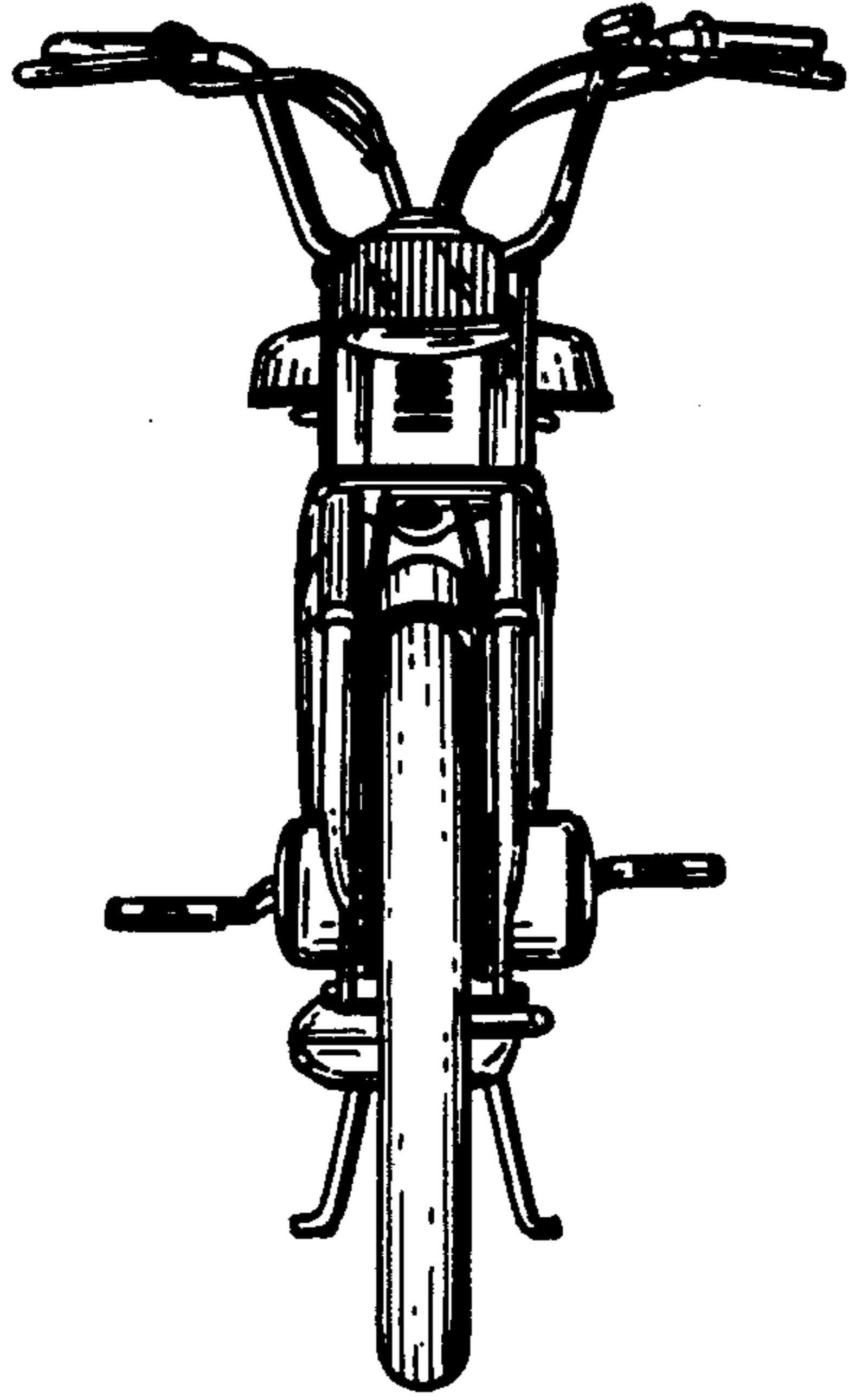


FIG. 3

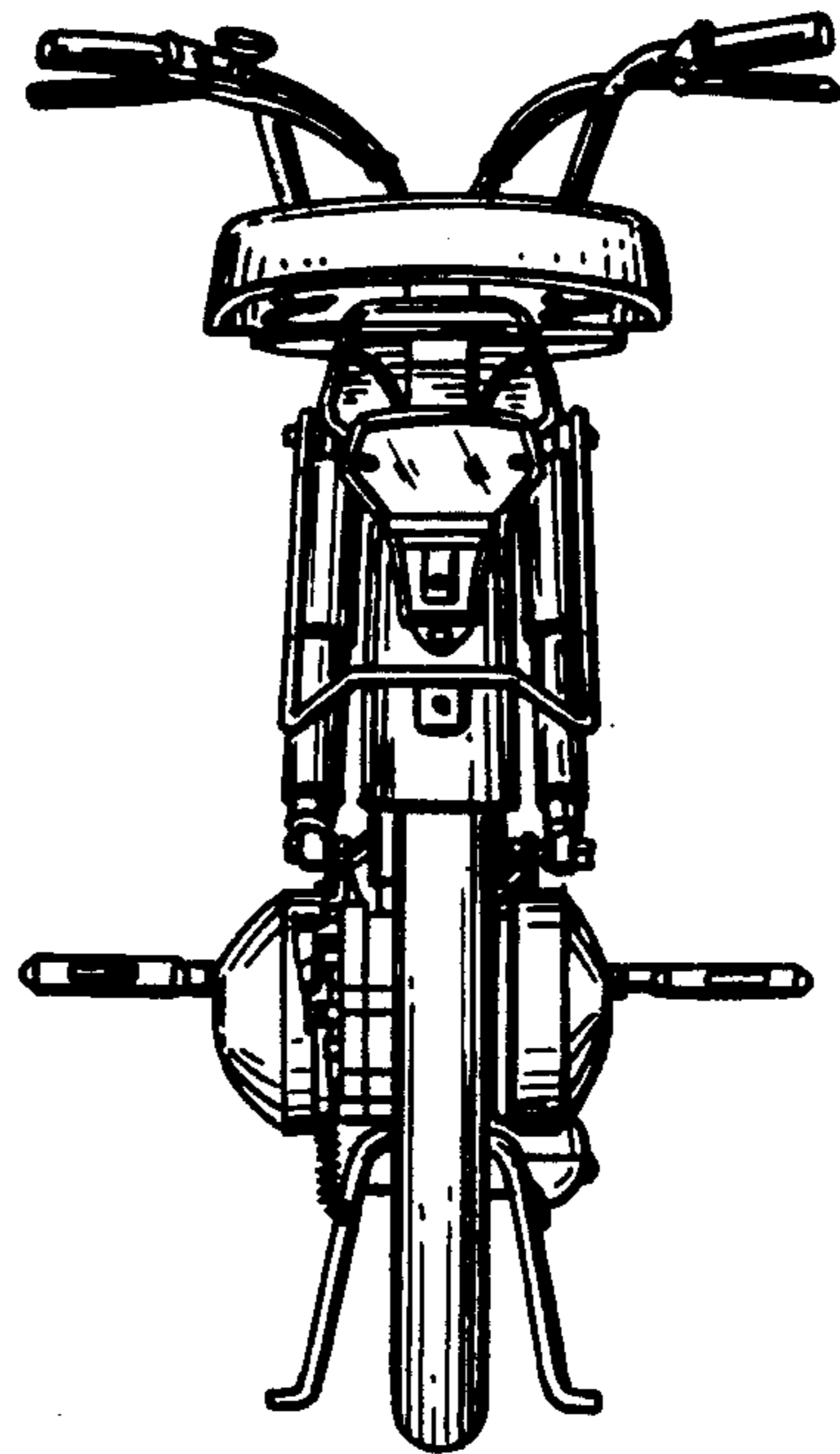


FIG. 4

FIG. 5

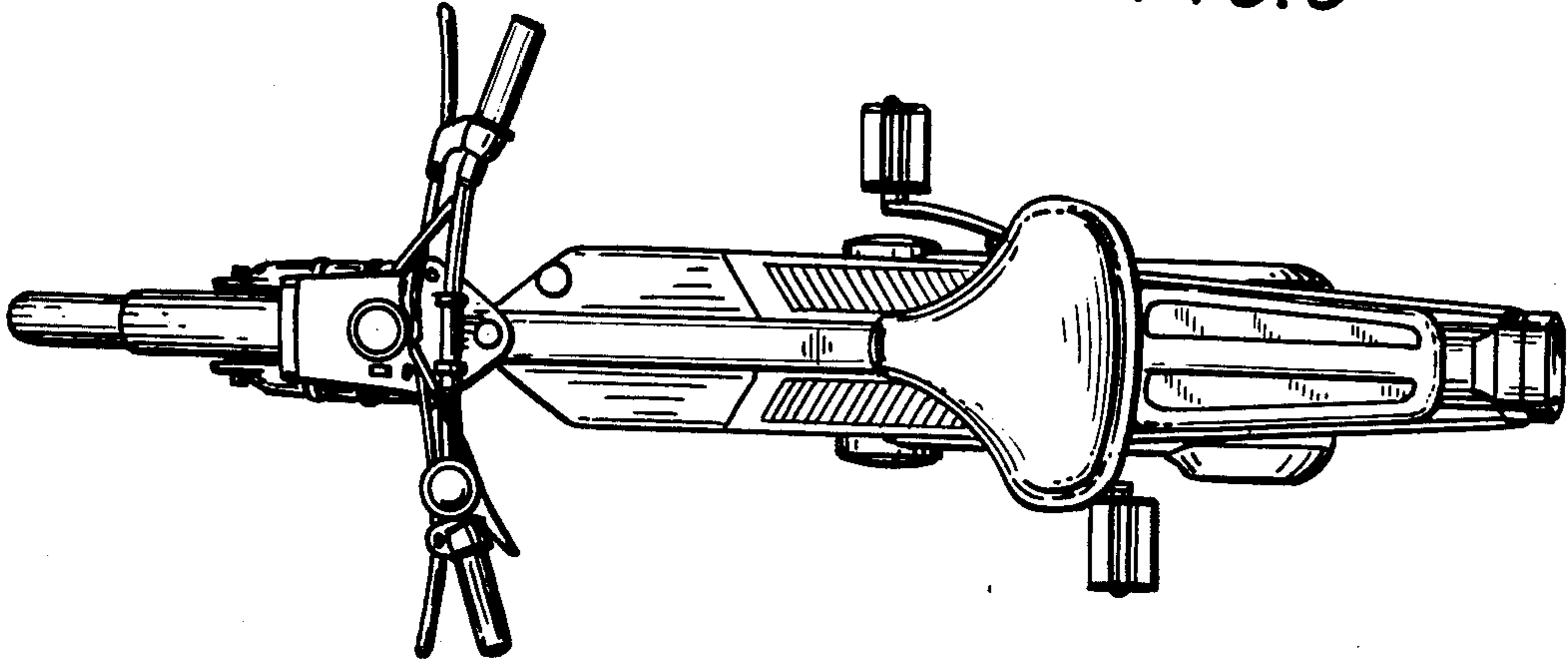


FIG. 6

