

# United States Patent [19]

Longeau

[11] Des. 245,000

[45] \*\* July 12, 1977

## [54] ARMoured VEHICLE BODY

[75] Inventor: Jacques Longeau, Suresnes, France

[73] Assignee: Societe Anonyme de Vehicules Industriels et d'Equipements Mecaniques Saviem, Suresnes, France

[\*\*] Term: 14 Years

[21] Appl. No.: 620,782

[22] Filed: Oct. 8, 1975

### [30] Foreign Application Priority Data

Apr. 10, 1975 France ..... 75.73784

[51] Int. Cl. .... D12-13

[52] U.S. Cl. .... D12/12

[58] Field of Search ..... D12/12; D34/15 SS; 89/36 H, 40 B; 115/1 R; 180/24; 46/219

[56]

### References Cited

#### U.S. PATENT DOCUMENTS

3,395,672 8/1968 Ruf ..... 89/36 H  
3,566,742 3/1971 Bemiss ..... 89/40 B

#### FOREIGN PATENT DOCUMENTS

1,522,614 3/1968 France ..... 89/36 H

Primary Examiner—Wallace R. Burke  
Assistant Examiner—James M. Gandy  
Attorney, Agent, or Firm—Martin Fleit

[57]

### CLAIM

The ornamental design for a armoured vehicle body, as shown and described.

### DESCRIPTION

FIG. 1 is a left side perspective view of an armoured vehicle body showing my new design; FIG. 2 is a top, right, rear perspective view thereof; FIG. 3 is a front perspective view thereof; and FIG. 4 is a rear perspective view thereof. The broken lines in the drawing are for illustrative purposes only.

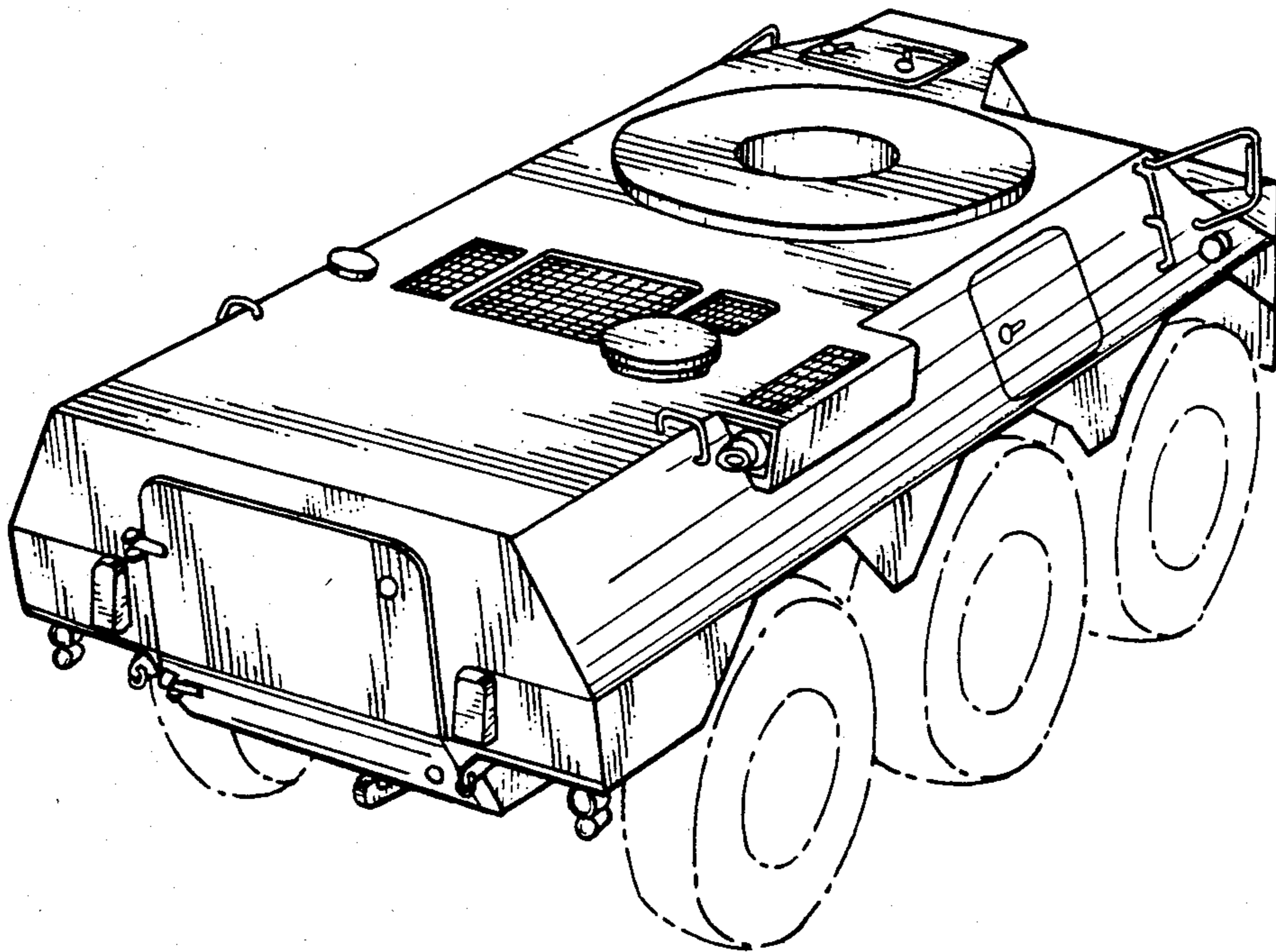


Fig. 1

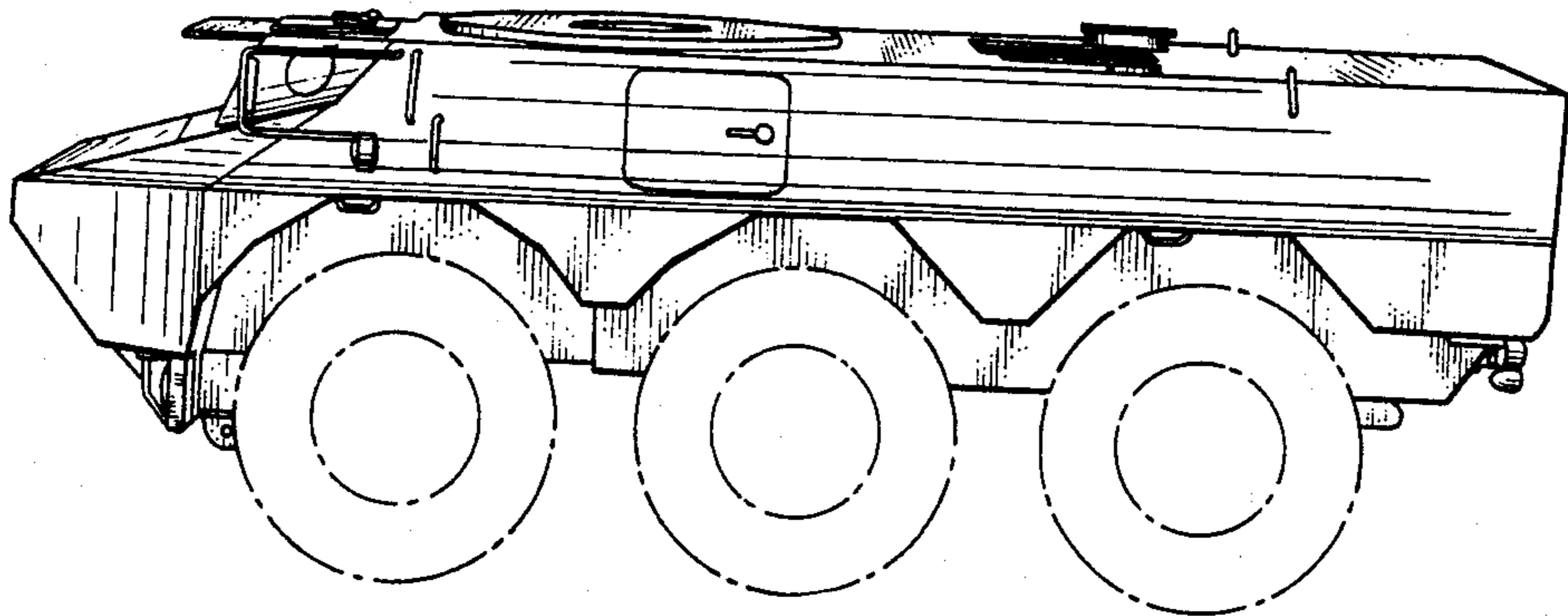


Fig. 2

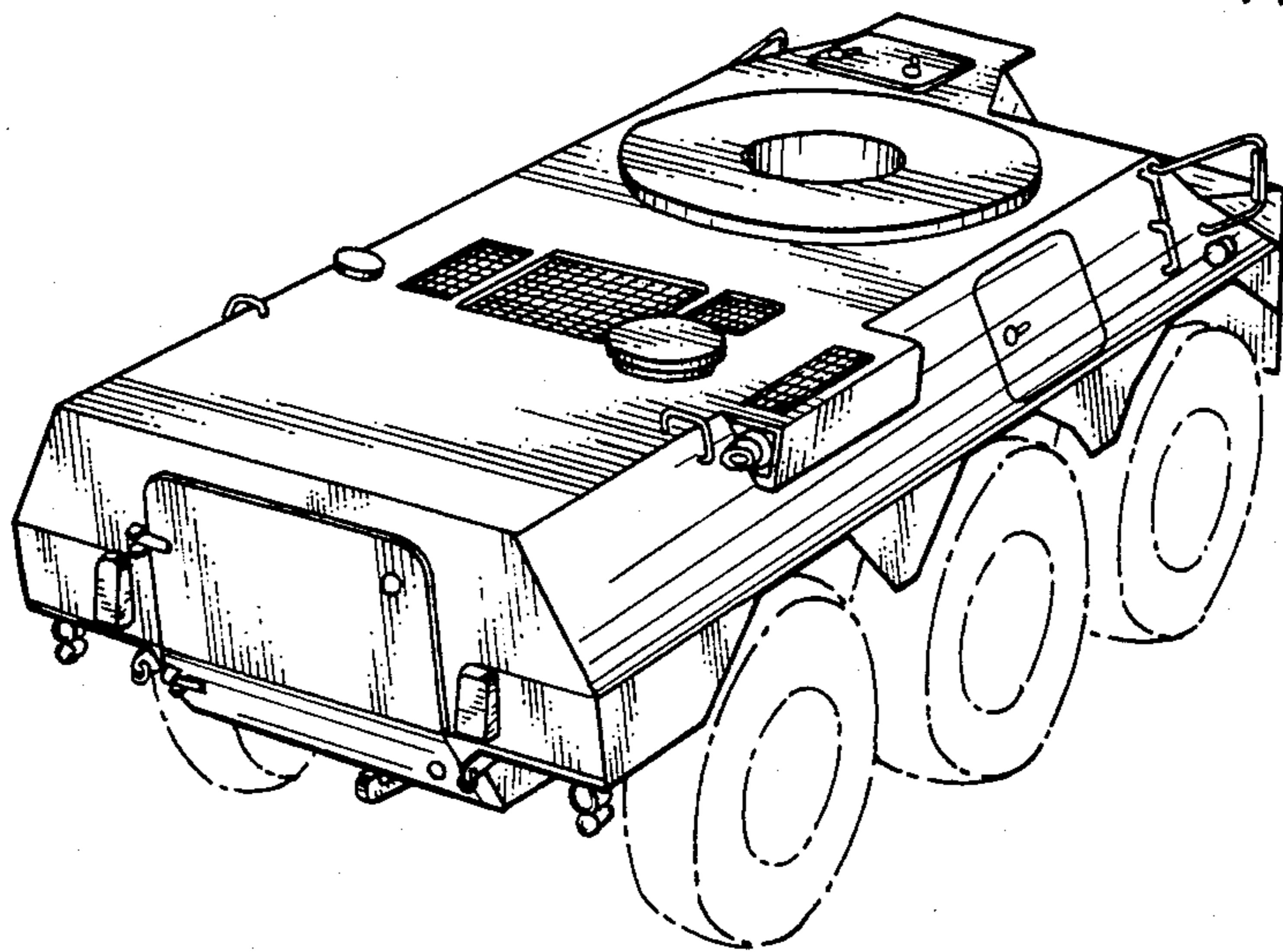


Fig. 3

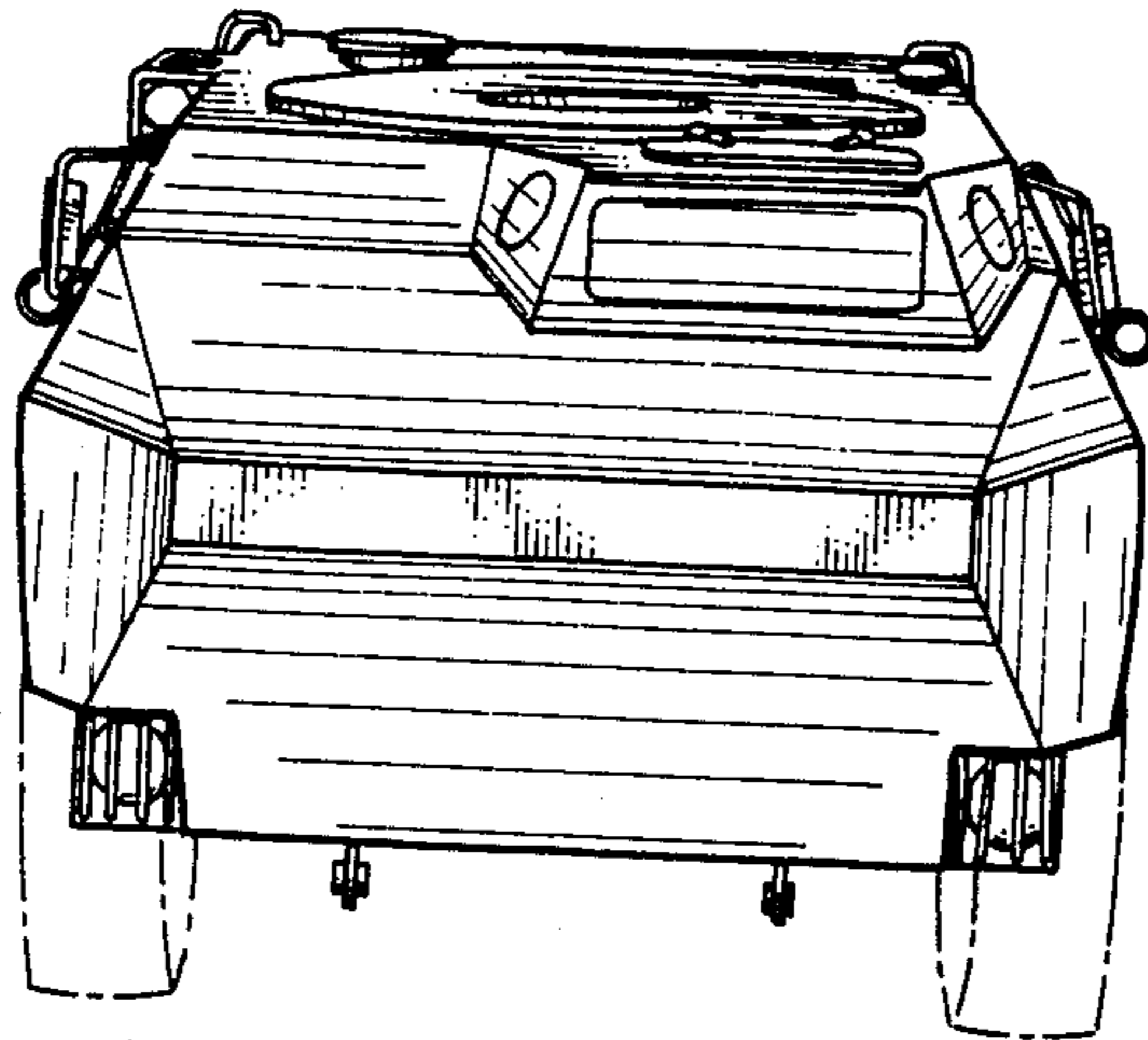


Fig. 4

