

[54] SPARK PLUG GAPPER

[76] Inventor: George G. Martin, 1743 Walnut Road, Kent, Ohio 44240

[**] Term: 14 Years

[21] Appl. No.: 663,827

[22] Filed: Mar. 4, 1976

[51] Int. Cl. D10-04

[52] U.S. Cl. D10/64

[58] Field of Search D8/14, 16, 19; 81/3 R; 33/174 E, 181 AT, 168 R; D10/64

[56] References Cited

U.S. PATENT DOCUMENTS

2,664,638 1/1954 Storey 33/168 R

3,045,354 7/1962 Frauentholtz 33/168 R

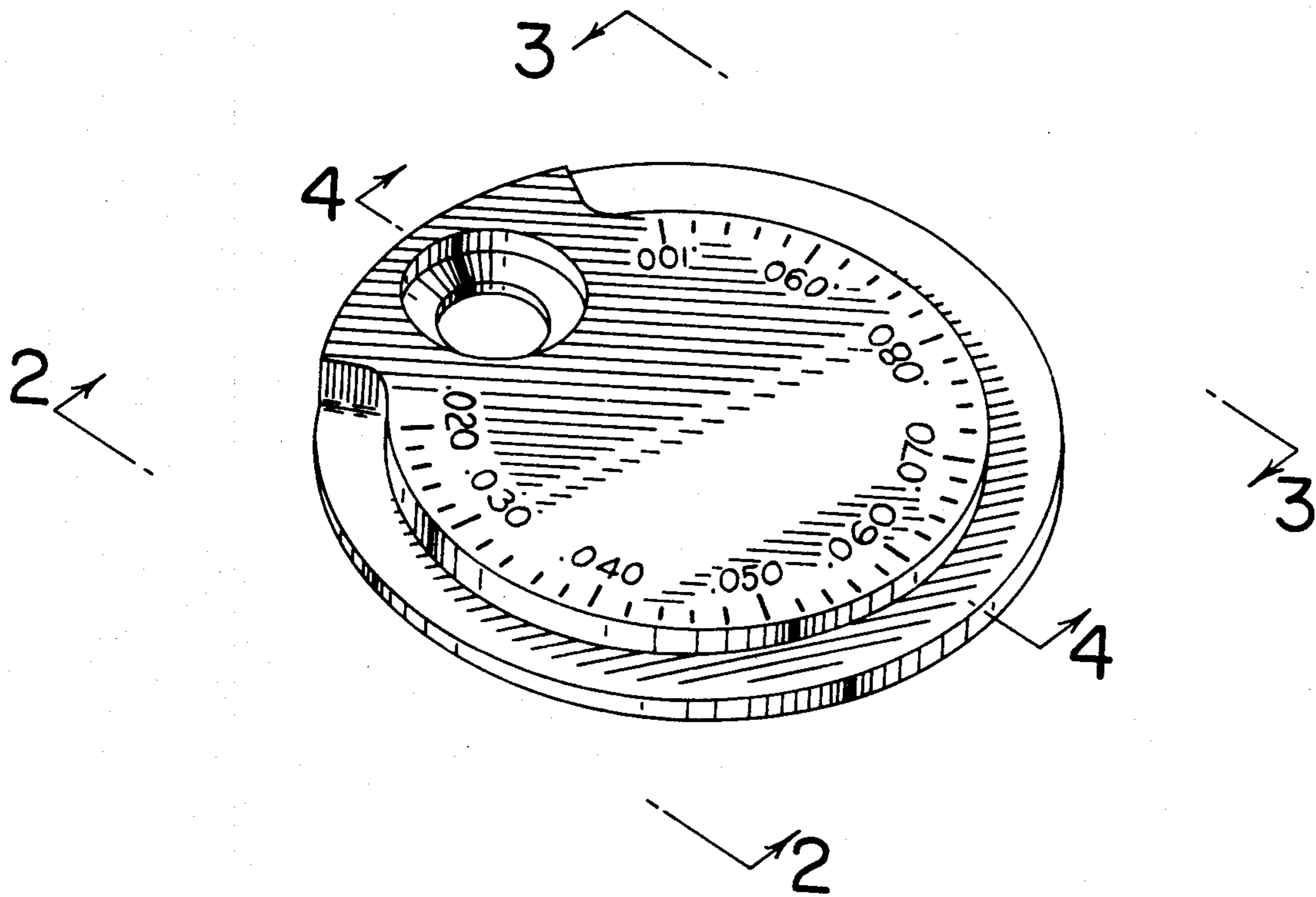
Primary Examiner—Alan P. Douglas
Attorney, Agent, or Firm—E. R. Hamilton

[57] CLAIM

The ornamental design for a spark plug gapper, as shown.

DESCRIPTION

FIG. 1 is a perspective view of a spark plug gapper embodying my invention;
FIG. 2 is a side elevation taken substantially on line 2 — 2 of FIG. 1;
FIG. 3 is a side elevation taken substantially on line 3 — 3 of FIG. 1; and,
FIG. 4 is a sectional view taken on line 4 — 4 of FIG. 1.



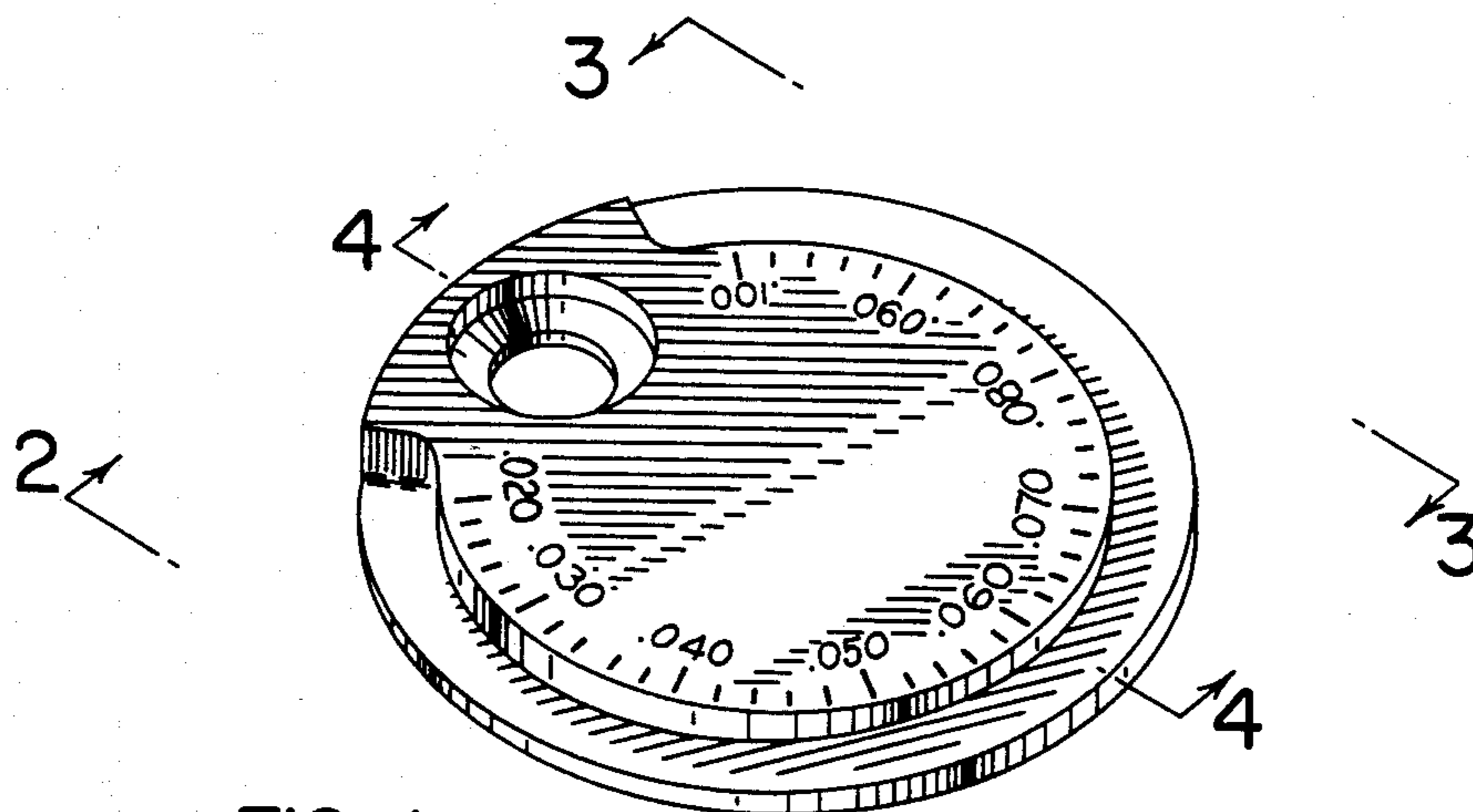


FIG. 1

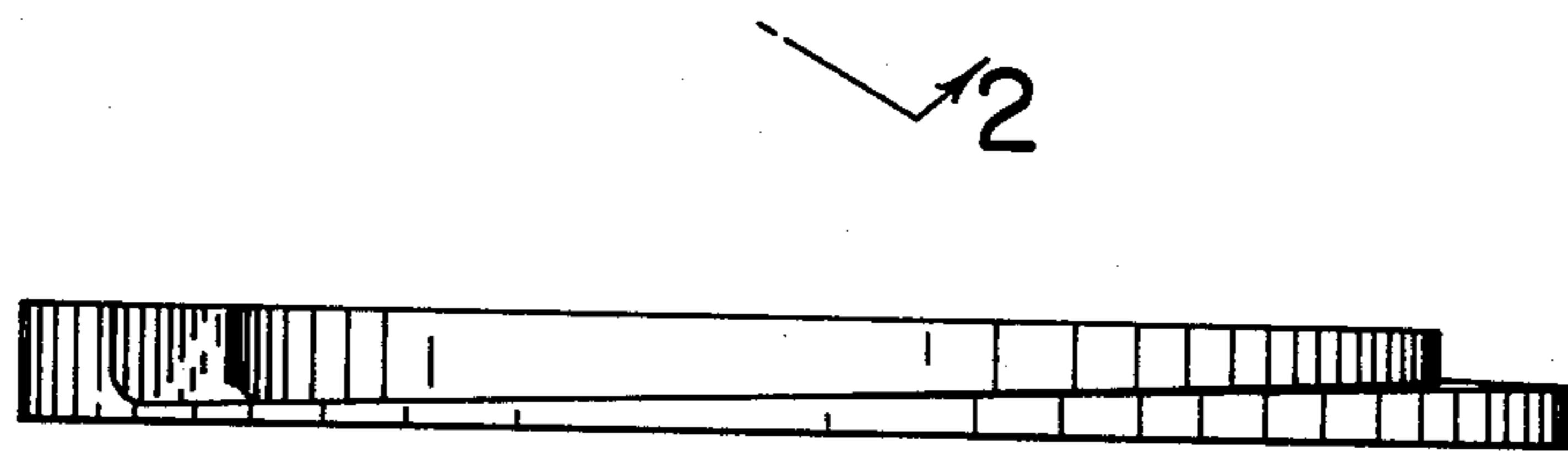


FIG. 2

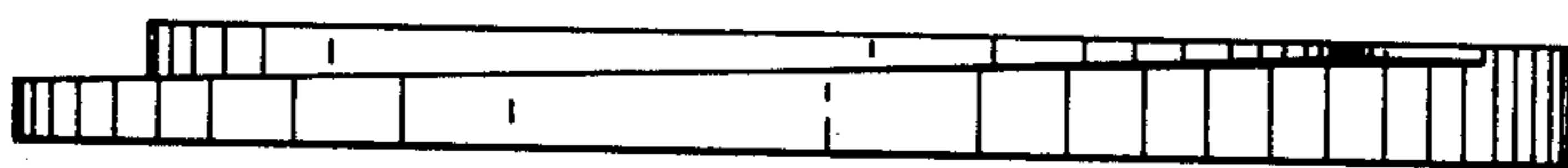


FIG. 3



FIG. 4