

[54] AEROSOL SPRAY ACTUATOR BUTTON

[75] Inventor: William E. Sullivan, Columbia, S.C.

[73] Assignee: The Risdon Manufacturing Company, Naugatuck, Conn.

[**] Term: 14 Years

[21] Appl. No.: 663,619

[22] Filed: Mar. 3, 1976

[51] Int. Cl. D9-07

[52] U.S. Cl. D9/258

[58] Field of Search D9/8, 9, 258; 222/402.1-402.18

[56] References Cited

U.S. PATENT DOCUMENTS

3,111,967 11/1963 Bullard 222/402.1 X

3,961,756 6/1976 Martini 222/402.1 X
D. 193,587 9/1962 Green D9/258
D. 201,649 7/1965 Long D9/258

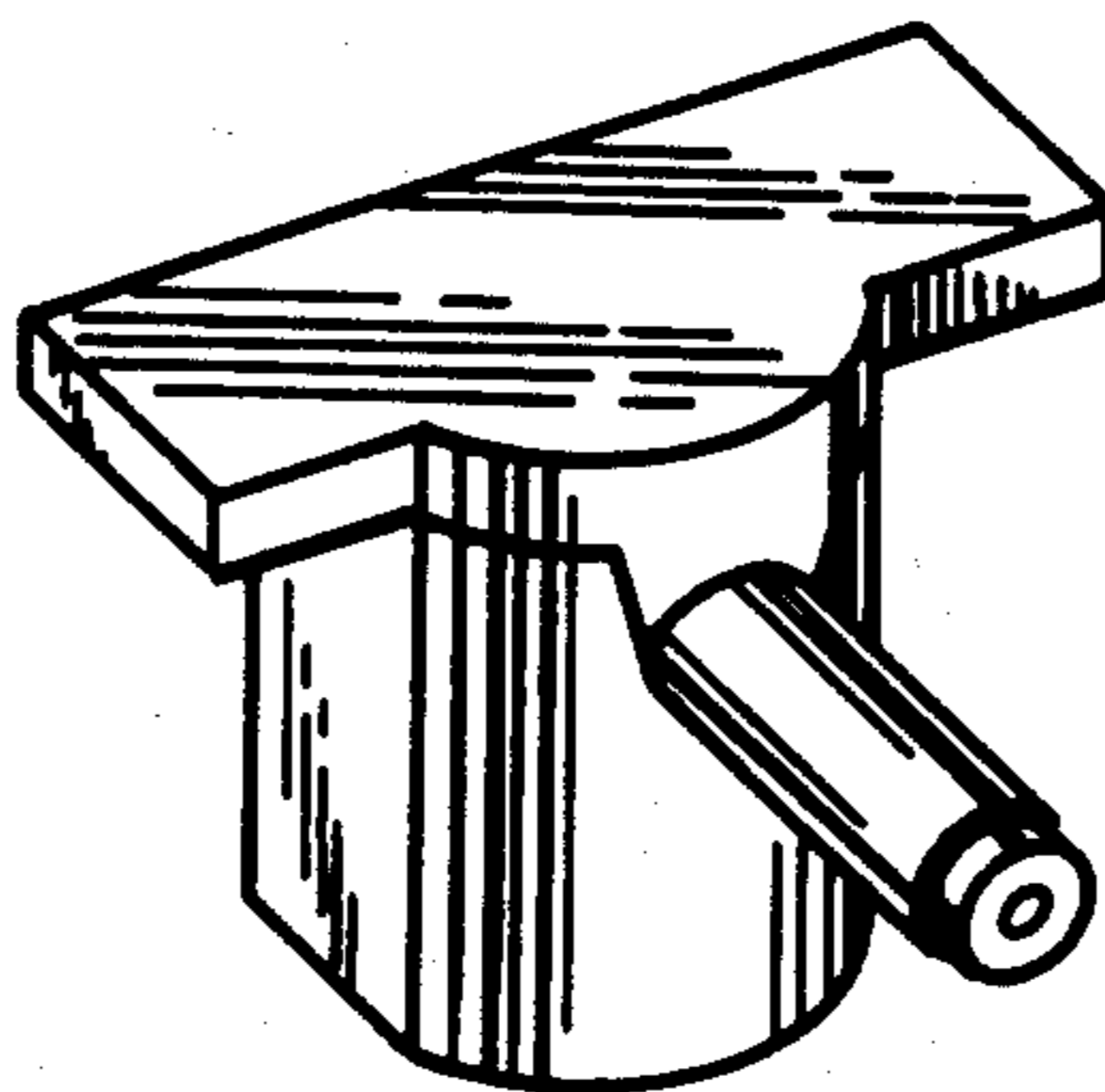
Primary Examiner—Robert C. Spangler
Attorney, Agent, or Firm—Merrill F. Steward

[57] CLAIM

The ornamental design for an aerosol spray actuator button, substantially as shown and described.

DESCRIPTION

FIG. 1 is a perspective view of an aerosol spray actuator button showing my new design; FIG. 2 is a front elevational view; FIG. 3 is a top plan view; FIG. 4 is a rear elevational view; FIG. 5 is a side elevational view, that of the opposite side being a mirror image thereof; and FIG. 6 is a bottom plan view.



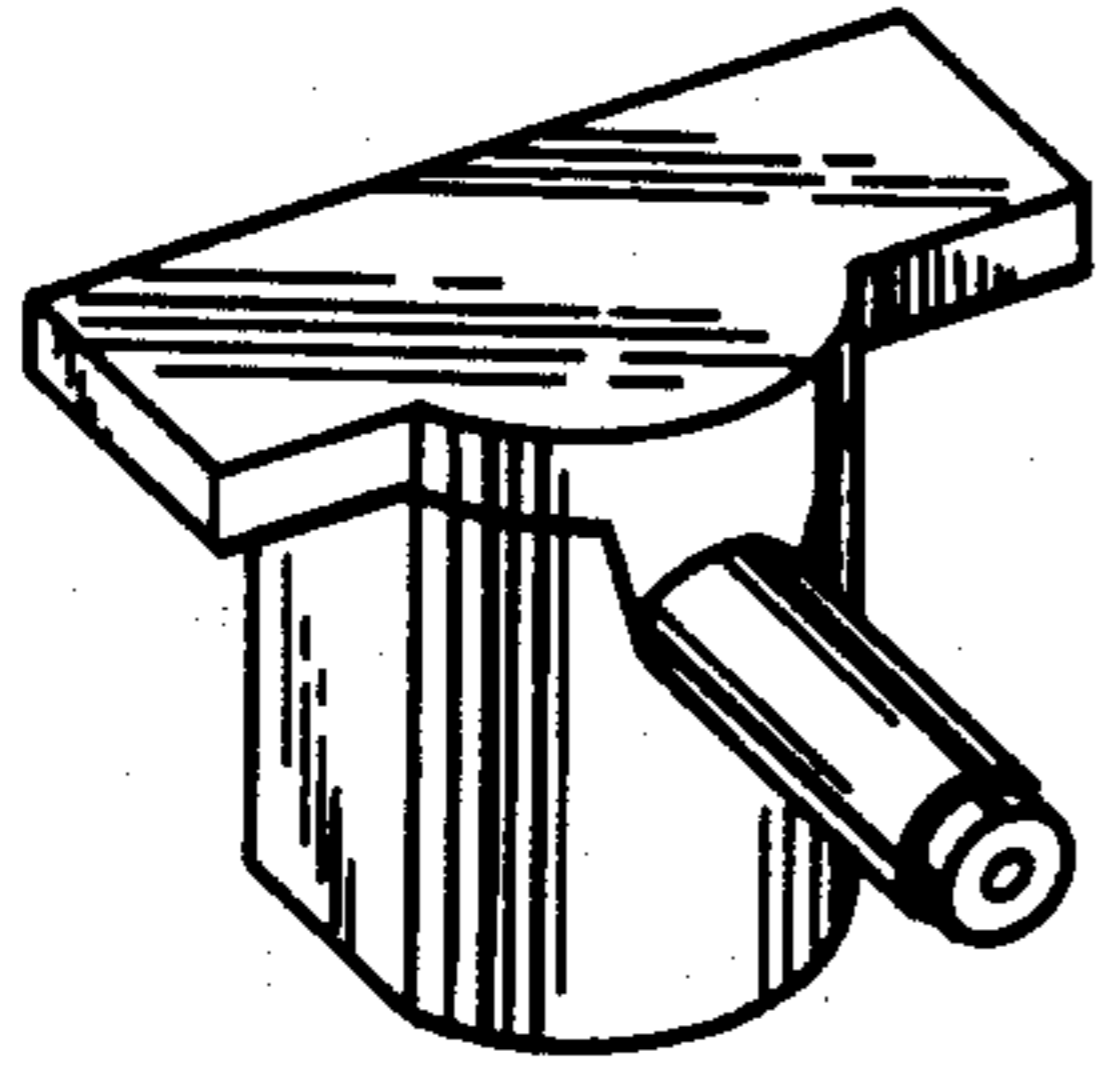


FIG. 1

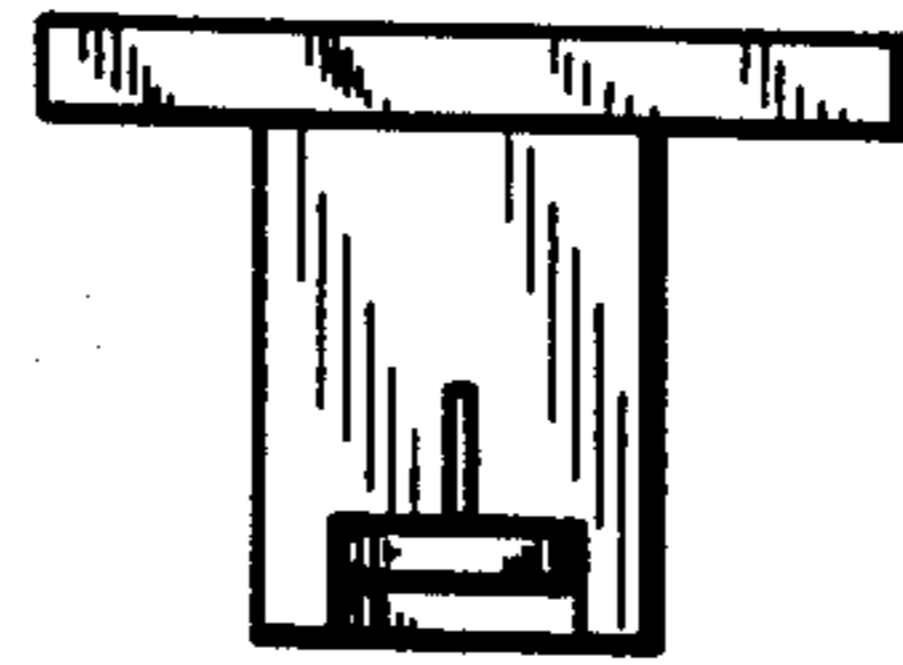


FIG. 4

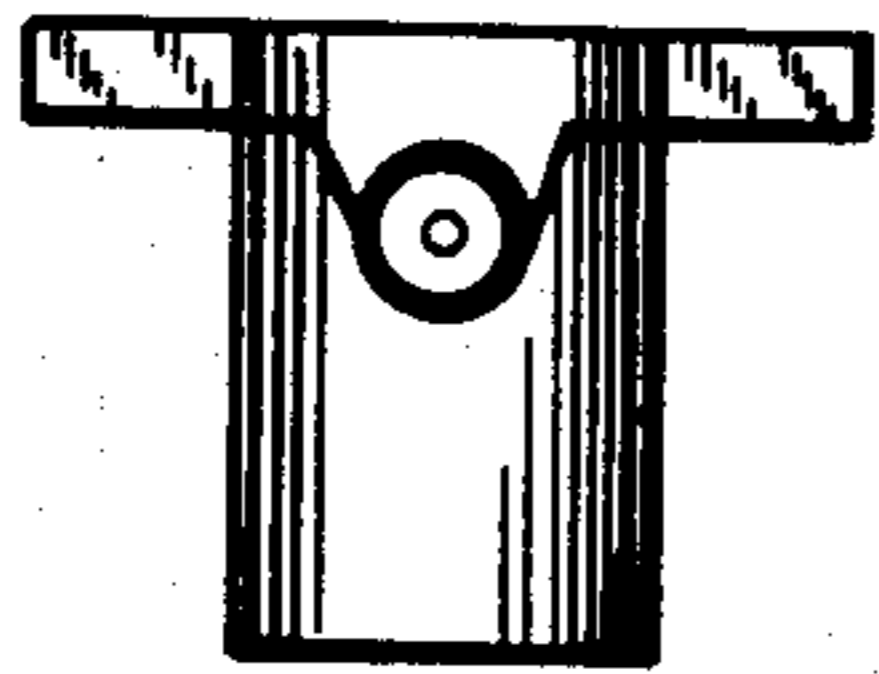


FIG. 2

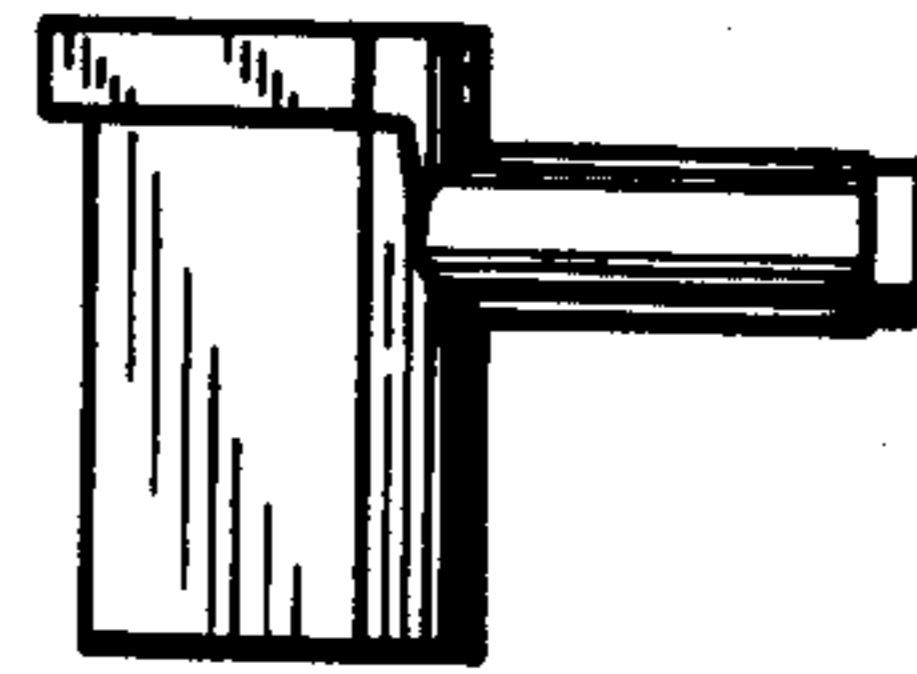


FIG. 5

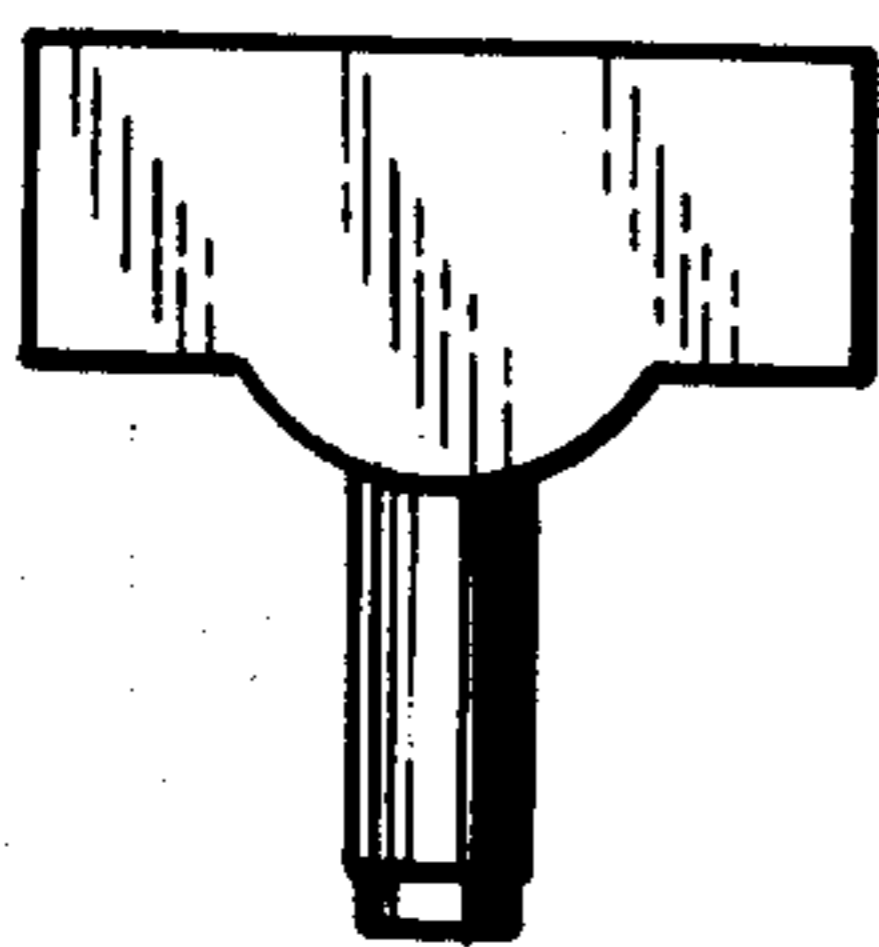


FIG. 3

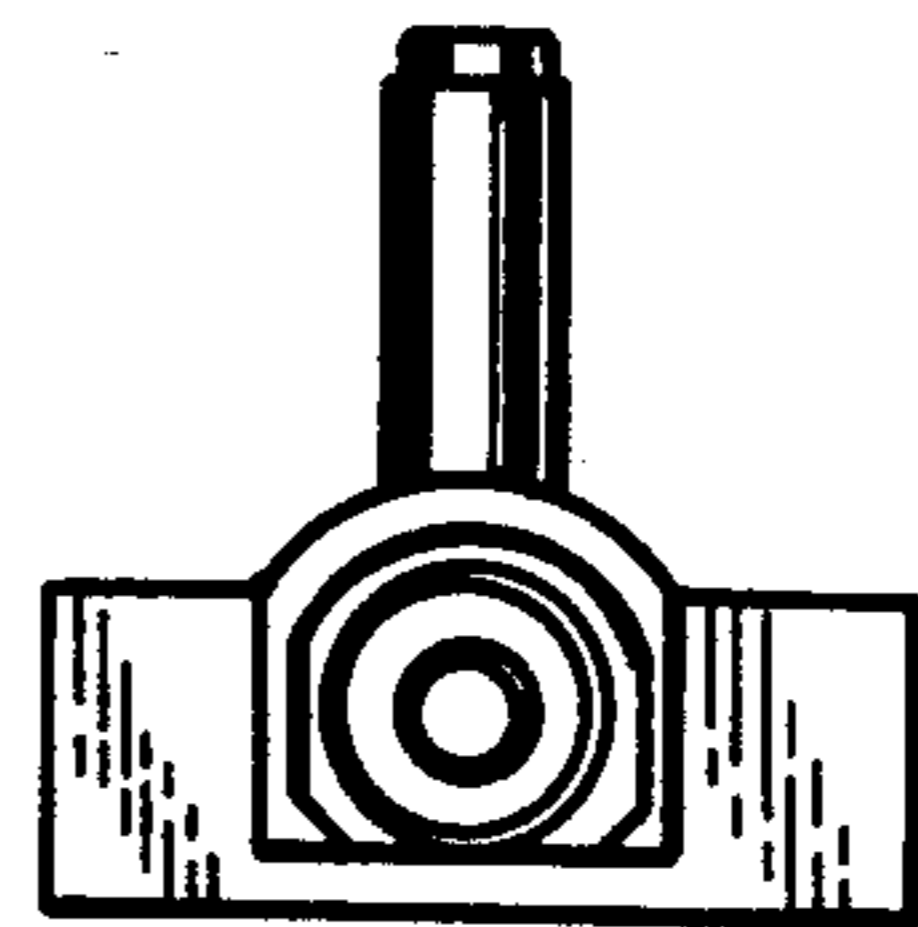


FIG. 6