

[54] CHAIR

[76] Inventors: Norman Polsky; James L. Gerner; Norman J. Heying; Edgar M. Lieberman; Frank Burnett, all of c/o Fixtures Manufacturing Corporation, 1642 Crystal, Kansas City, Mo. 64126

[**] Term: 14 Years

[21] Appl. No.: 675,698

[22] Filed: Apr. 12, 1976

[51] Int. Cl.² D6-01

[52] U.S. Cl. D6/77

[58] Field of Search D6/26, 30, 31, 66, 75, D6/76, 77; 297/338, 344, 345, 346, 347

[56] References Cited

U.S. PATENT DOCUMENTS

- D. 204,257 4/1966 Pollock D6/31
- D. 207,777 5/1967 Jakobsen D6/75 X
- D. 224,824 9/1972 Buhk D6/75

- D. 227,956 7/1973 Sundberg et al. D6/75 X
- D. 234,480 3/1975 Grosfillex D6/76 X
- D. 236,395 8/1975 Kinsman D6/75

OTHER PUBLICATIONS

House and Garden, Apr. 1960, p. 161, Chair top left.

Primary Examiner—Bruce W. Dunkins

Attorney, Agent, or Firm—Claude A. Fishburn

[57] CLAIM

The ornamental design for a chair, as shown and described.

DESCRIPTION

FIG. 1 is a perspective view of a chair and back embodying our design.

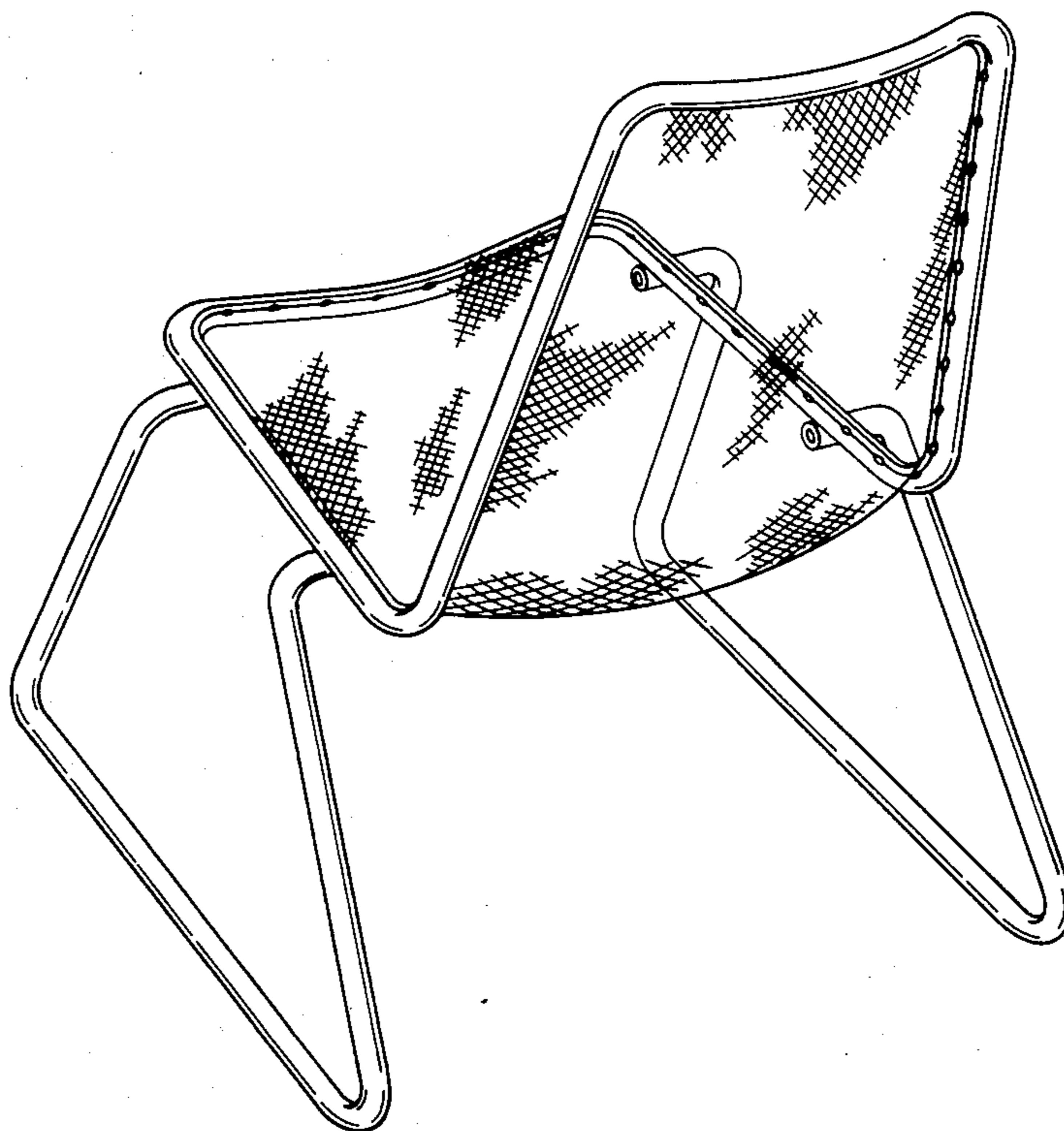
FIG. 2 is a side elevational view thereof.

FIG. 3 is a front elevational view thereof.

FIG. 4 is a back elevational view thereof.

FIG. 5 is a top, elevational view thereof.

FIG. 6 is an enlarged, fragmentary cross-sectional view through a frame member and a seat thereof illustrating the contour and fastening configuration of same.



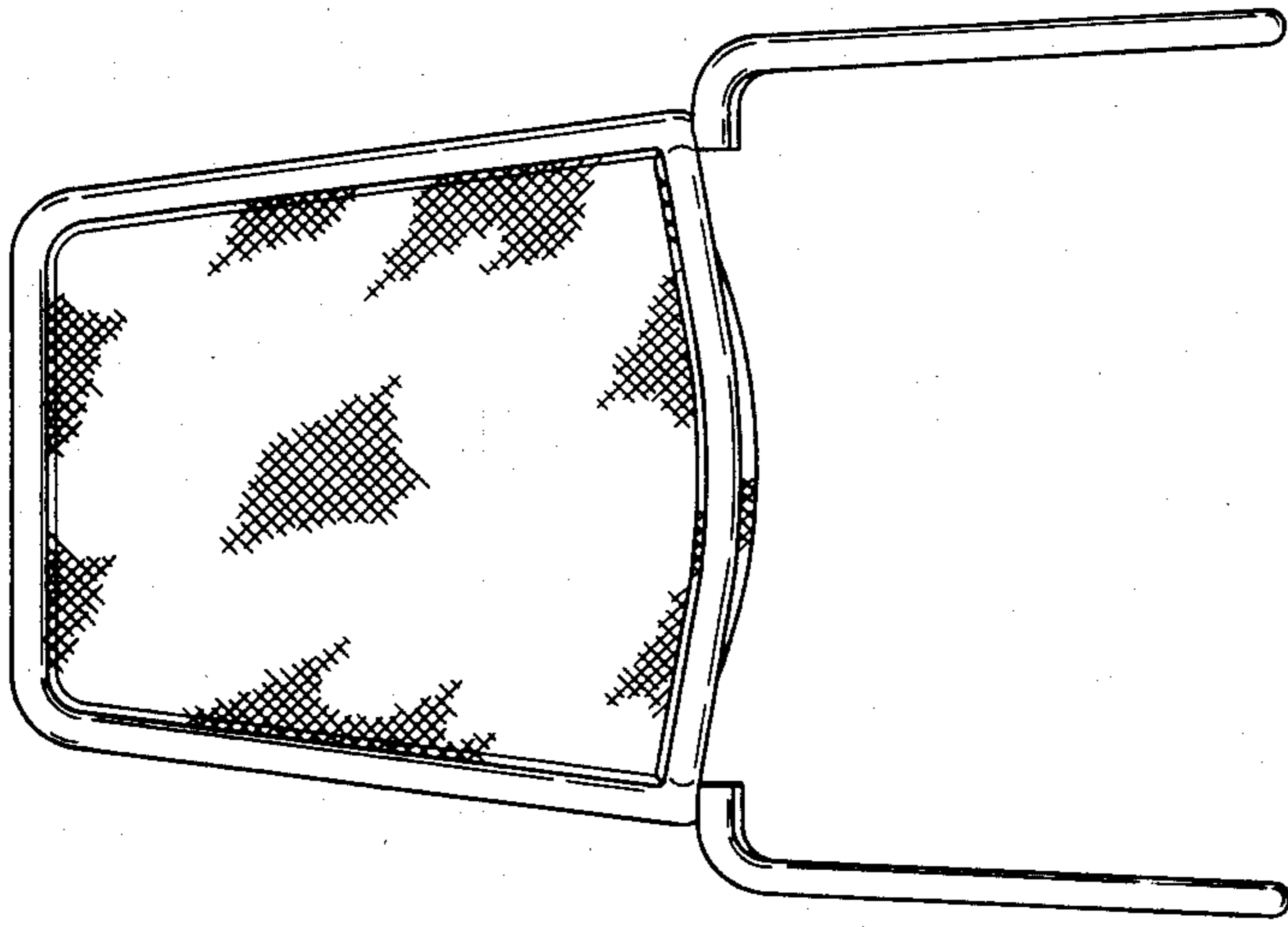


Fig. 3.

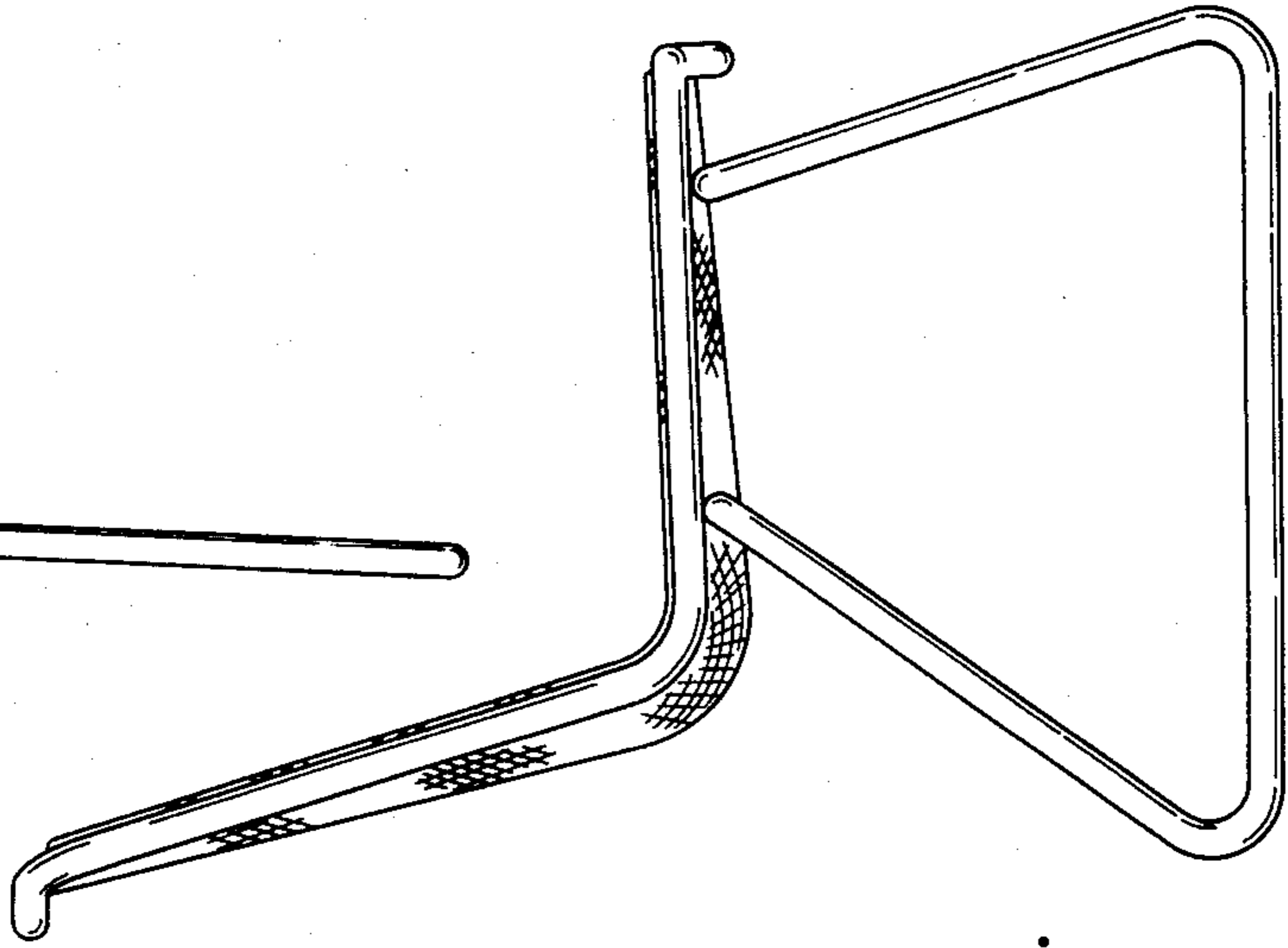


Fig. 2.

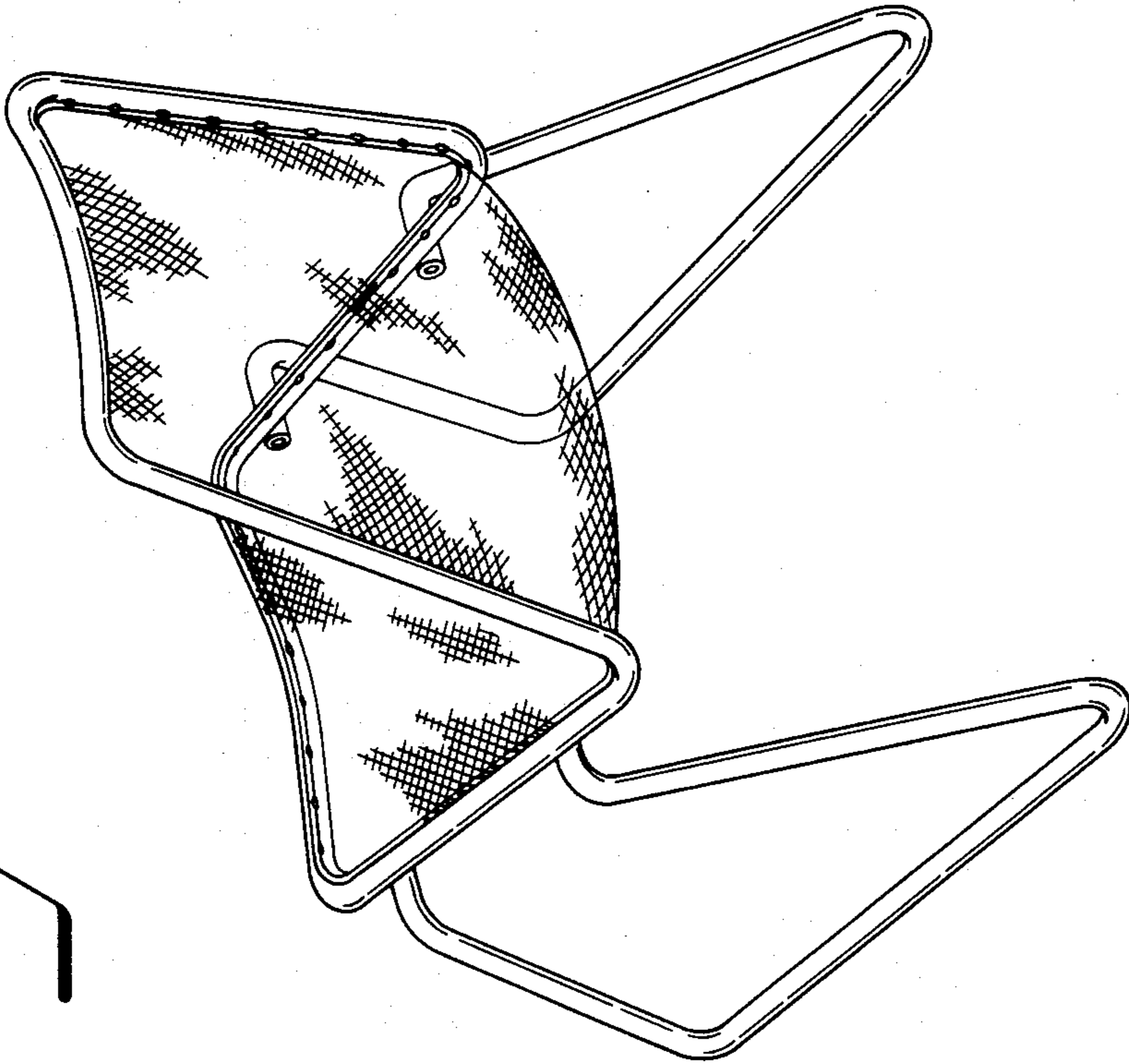


Fig. 1.

Fig. 5.

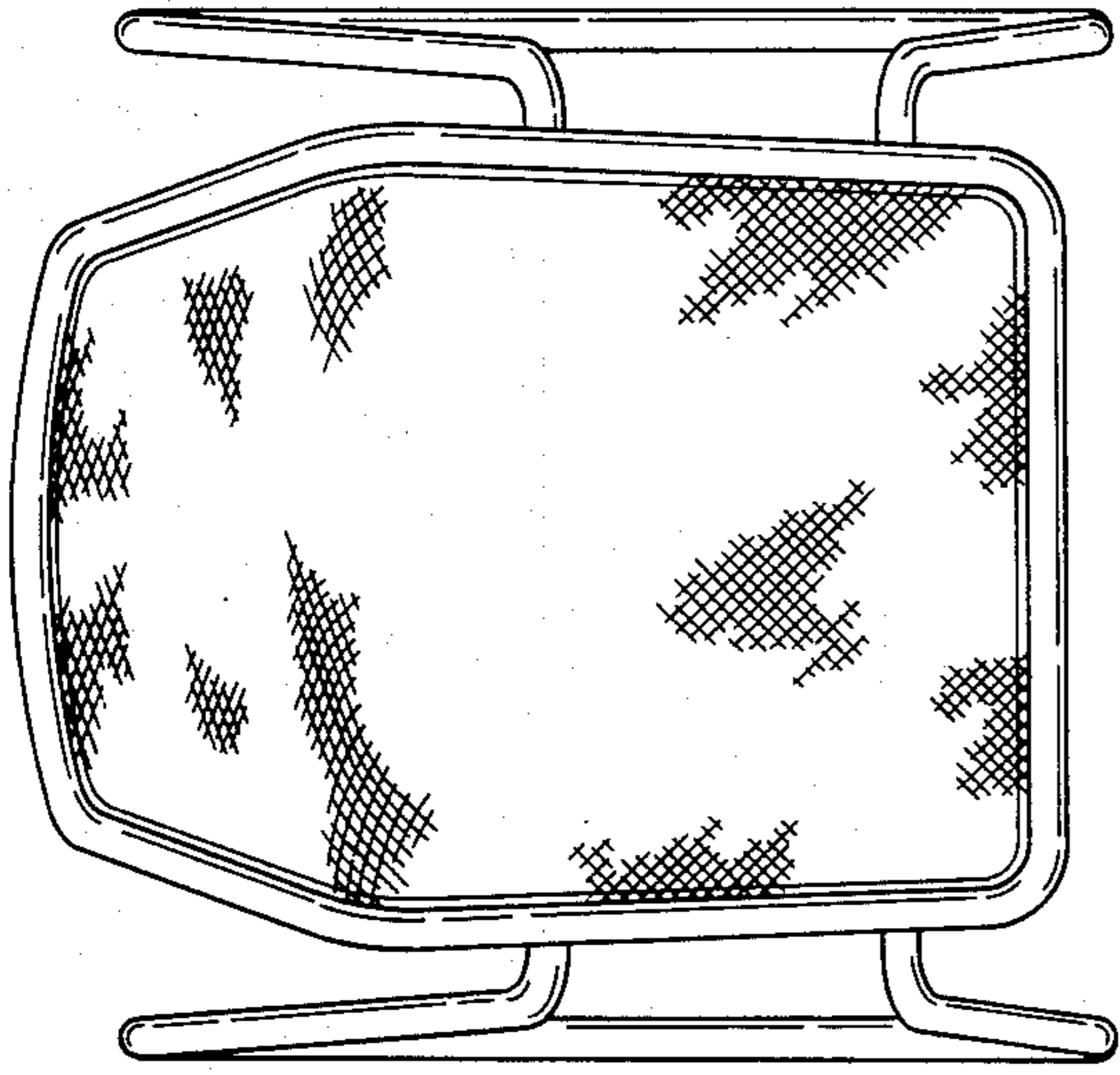


Fig. 6.

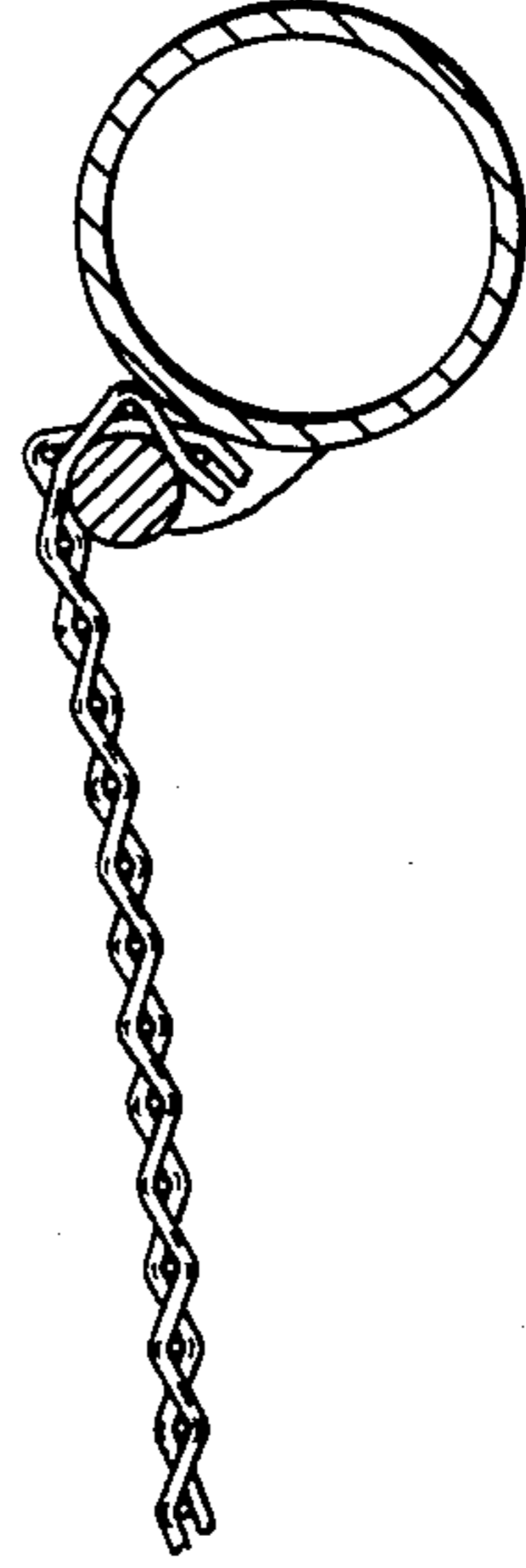


Fig. 4.

