

[54] HOUSING FOR TYPEWRITER OR TELEPRINTER

[76] Inventor: Berndt Ebbe Frick, Herrgardsvagen 9, 135 00 Tyreso, Sweden

[**] Term: 14 Years

[21] Appl. No.: 592,720

[22] Filed: July 3, 1975

[30] Foreign Application Priority Data

Jan. 16, 1975 Sweden 75100

[51] Int. Cl. D14-02

[52] U.S. Cl. D64/11 R

[58] Field of Search D64/11 R, 11 B, 11 A; D26/5 C, 14 B, 57; 197/6.7

[56]

References Cited

U.S. PATENT DOCUMENTS

D. 203,494	1/1966	Dietrich	D64/11 R
D. 229,864	1/1974	Frick	D64/11 R
D. 232,193	7/1974	Alexander	D64/11 R
D. 233,950	12/1974	Bluem	D64/11 R
D. 237,906	12/1975	Hagstrom et al.	D64/11 R

Primary Examiner—Bruce W. Dunkins

Attorney, Agent, or Firm—A. Donald Messenheimer

[57]

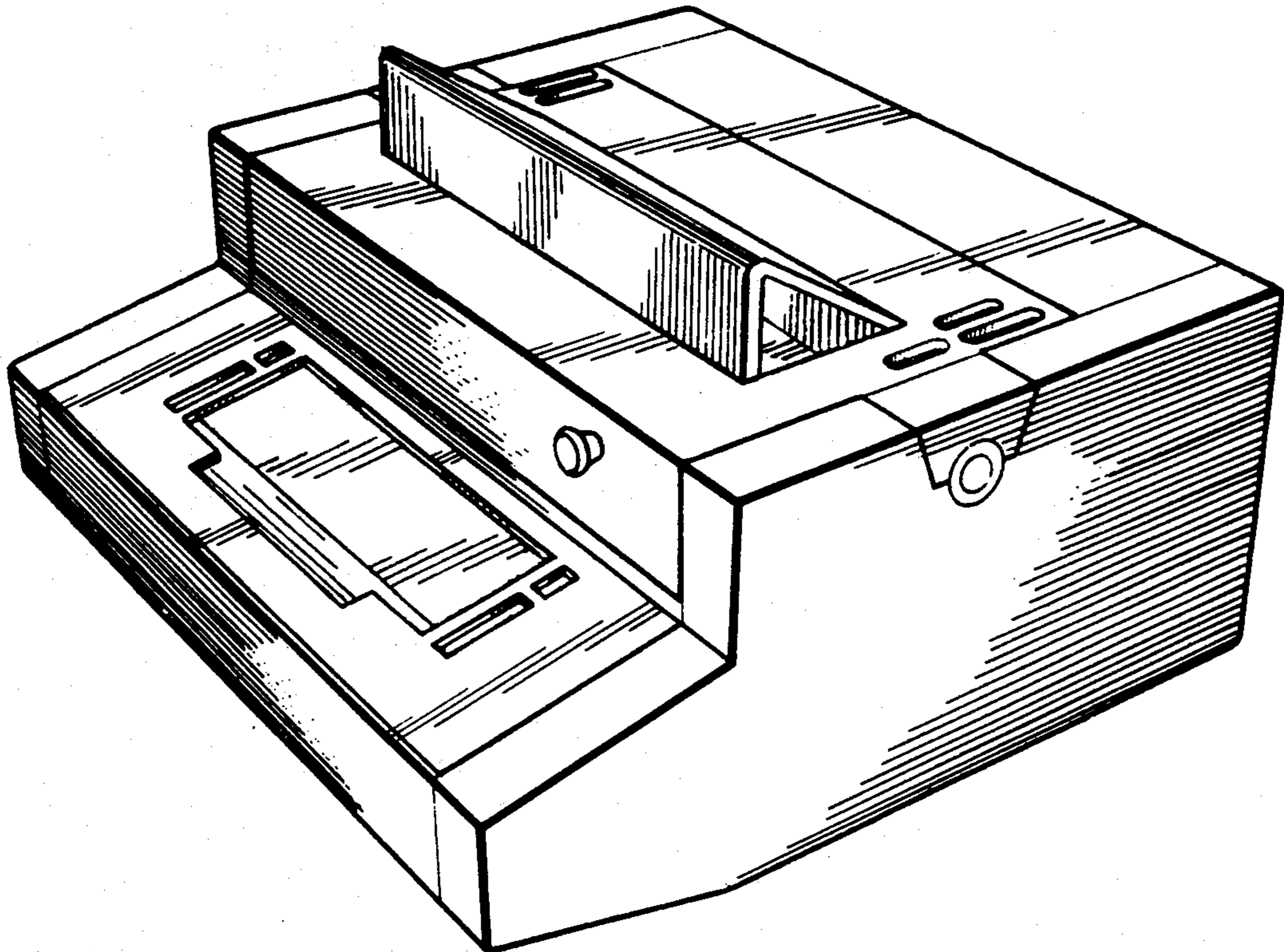
CLAIM

The ornamental design for a housing for typewriter or teleprinter, as shown and described.

DESCRIPTION

FIG. 1 shows in perspective view a housing of my new design.

FIG. 2 shows in perspective view the housing in opposite direction.



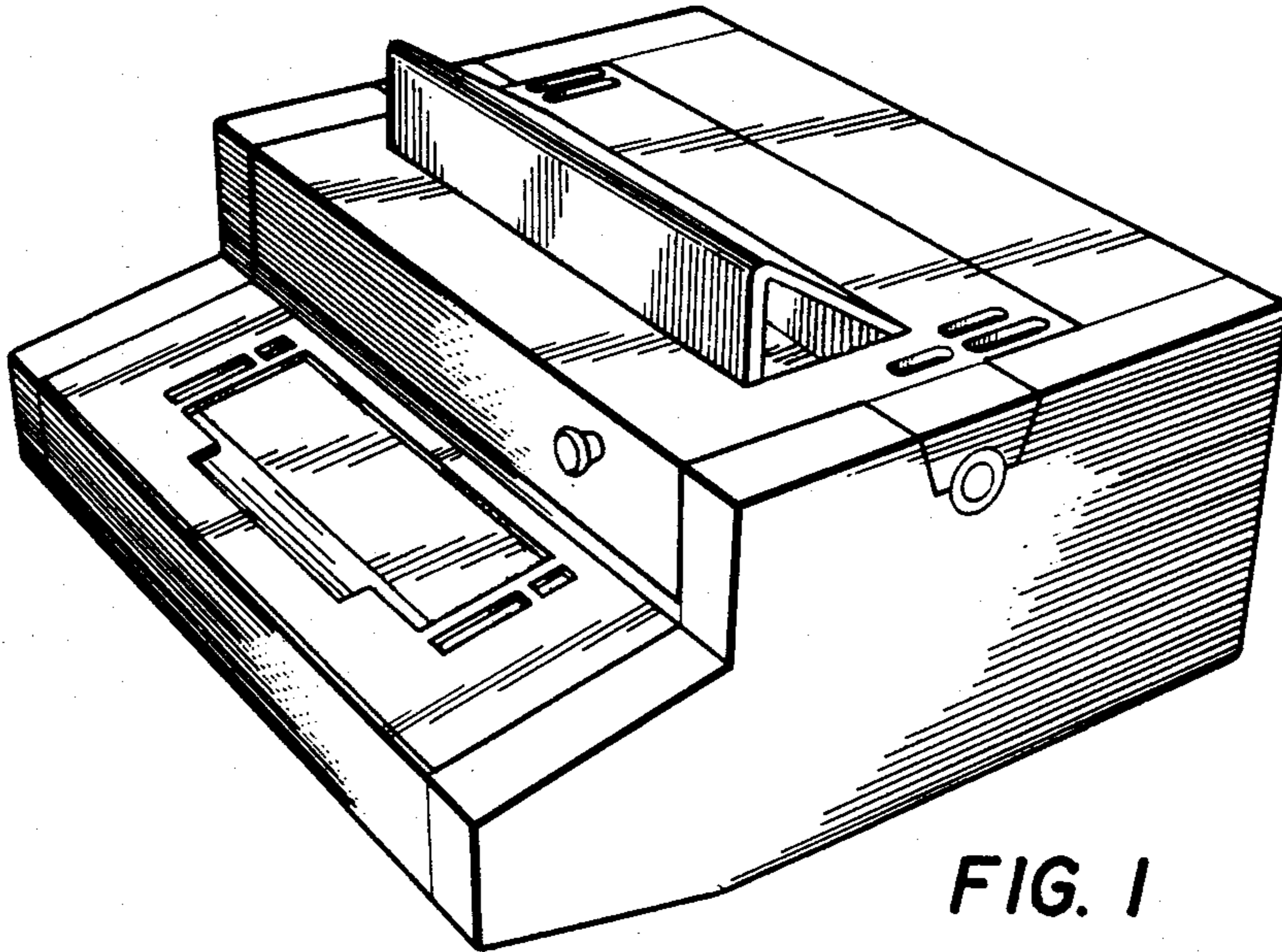


FIG. 1

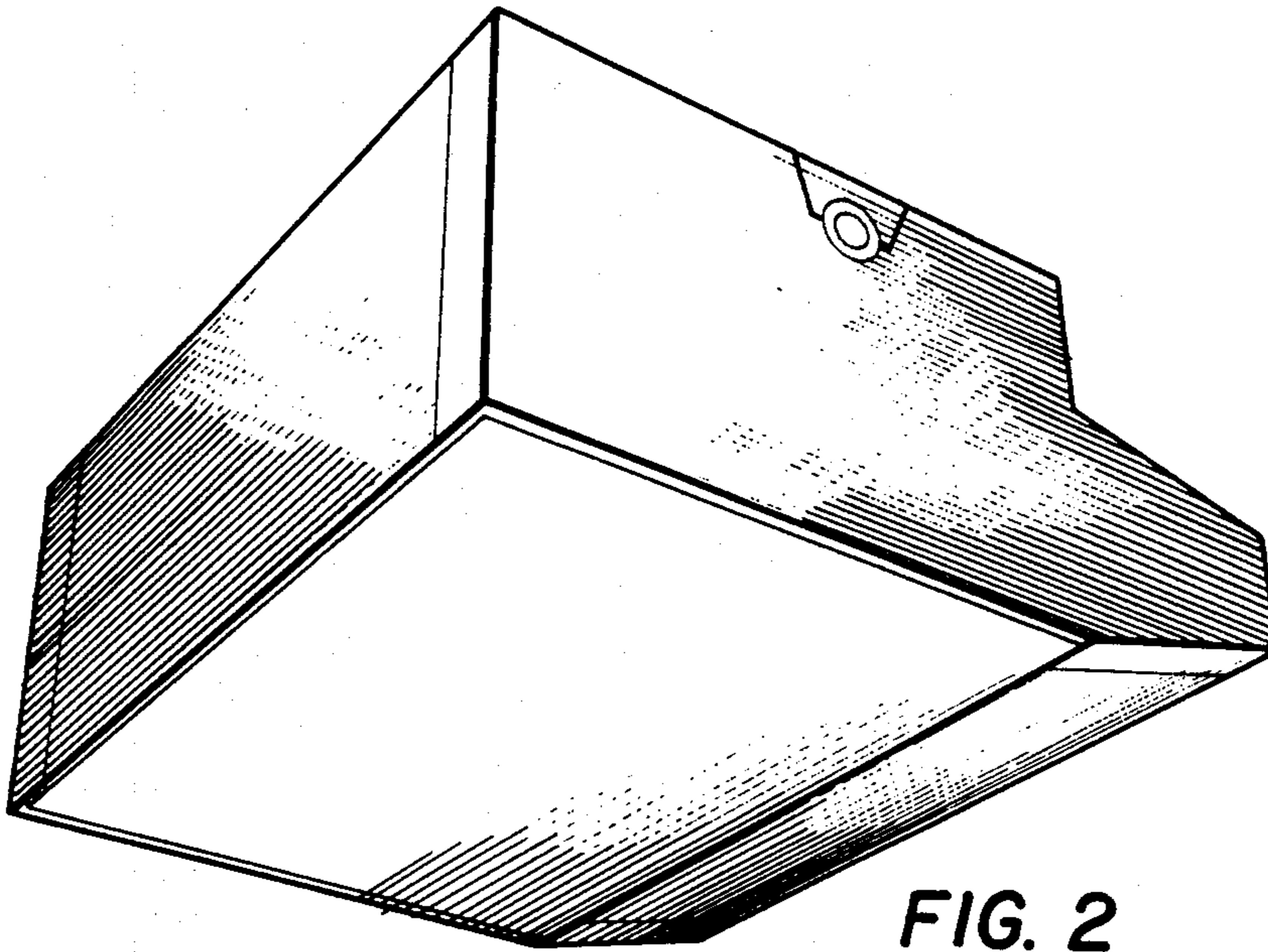


FIG. 2