

[54] **COMBINED PHONOGRAPH AND STEREO RECEIVER**

[75] Inventors: **Melvin H. Boldt**, Glenview; **David P. Chuboff**, North Barrington; **Wayne Franek**, Palatine, all of Ill.

[73] Assignee: **Zenith Radio Corporation**, Glenview, Ill.

[**] Term: **14 Years**

[21] Appl. No.: **621,908**

[22] Filed: **Oct. 14, 1975**

[51] Int. Cl. **D14-01**

[52] U.S. Cl. **D14/5**

[58] Field of Search **D56/4 R, 4 B; D26/14 B, D26/14 K, 14 L, 5 C; 312/7 R; 325/300, 311; 334/7, 85, 89; 274/9 R, 39 R; 179/100.11-100.12 A**

[56] **References Cited**

U.S. PATENT DOCUMENTS

D. 204,907	5/1966	Boldt	D56/4 R
D. 222,883	1/1972	Levow	D26/5 C
D. 223,294	4/1972	Wada et al.	D56/4 R

D. 234,316 2/1975 Mansfield D56/4 R

OTHER PUBLICATIONS

Home Furnishings Daily, 4/30/1971, sec. I, p. 12, *Electronic Receiver/Phonograph*.

Primary Examiner—Robert C. Spangler

Assistant Examiner—Louis S. Zarfes

Attorney, Agent, or Firm—John J. Pederson

[57] **CLAIM**

The ornamental design for a combined phonograph and stereo receiver, substantially as shown and described.

DESCRIPTION

FIG. 1 is a front perspective view of a combined phonograph and stereo receiver showing our new design, as viewed from the right;

FIG. 2 is a front perspective view, as viewed from the left;

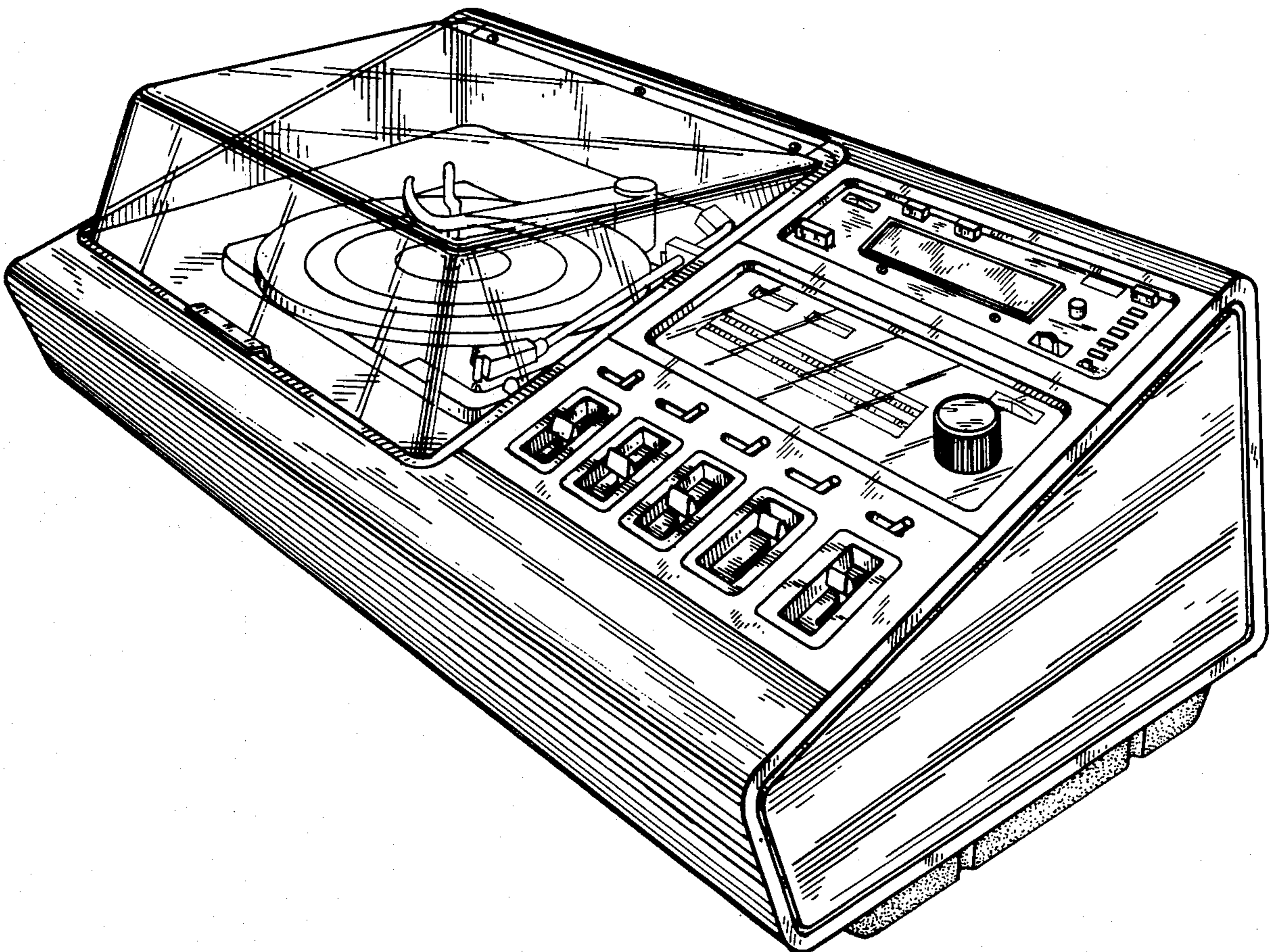
FIG. 3 is a left end view of the article;

FIG. 4 is a right end view of the article;

FIG. 5 is a top plan view;

FIG. 6 is a front elevational view; and

FIG. 7 is a rear view of the article.



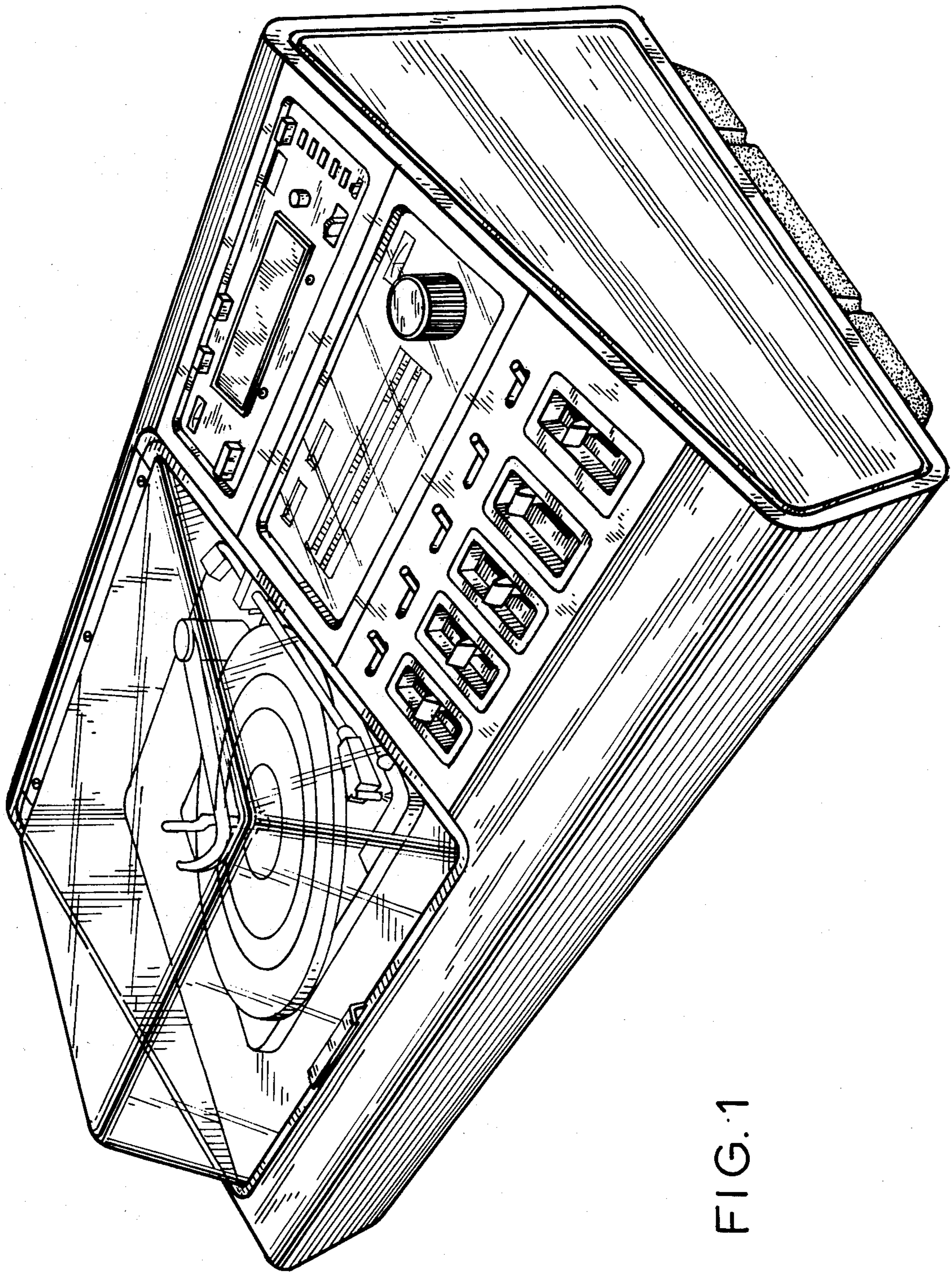


FIG. 1

FIG. 2

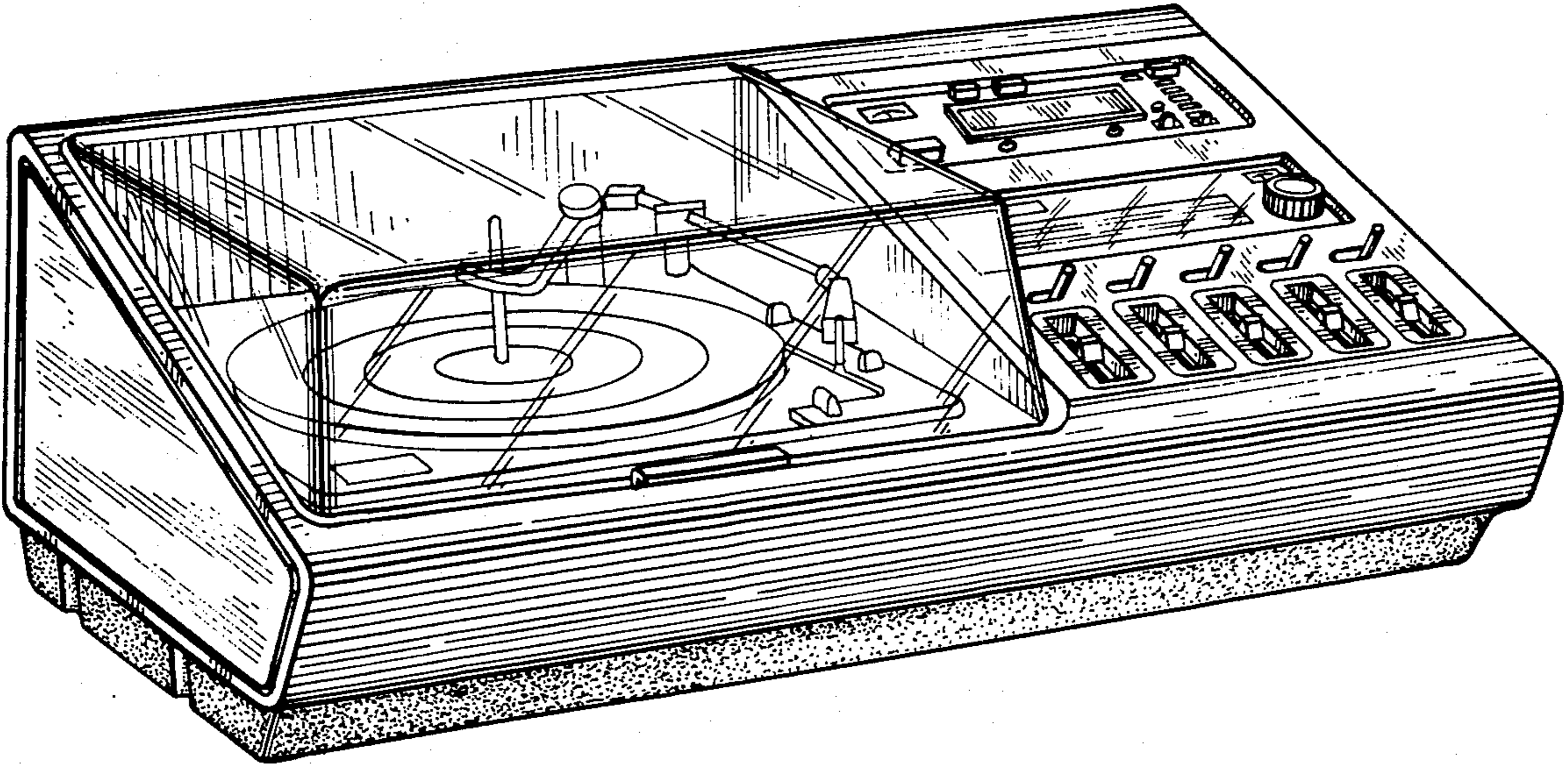


FIG. 3

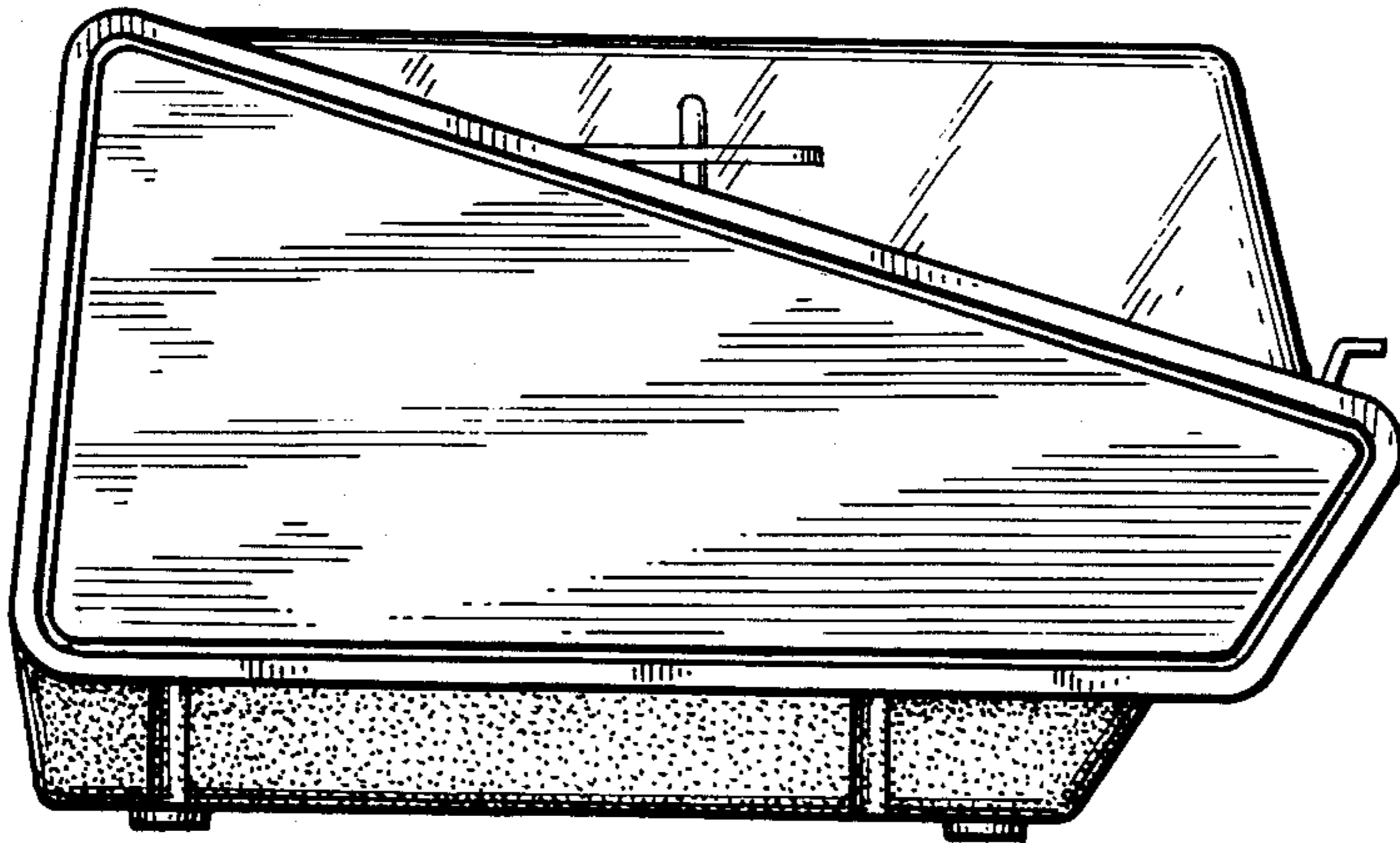


FIG. 4

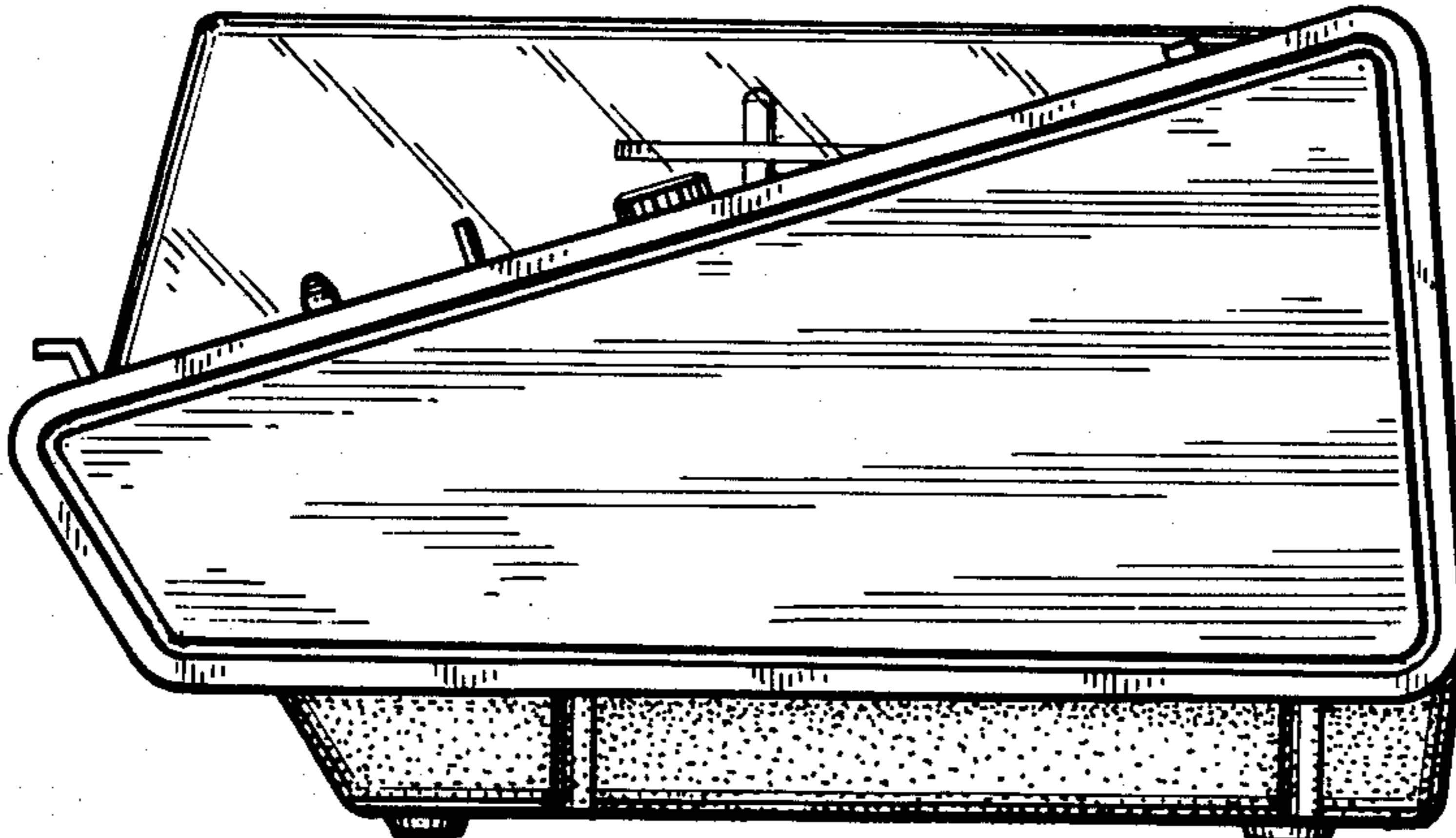


FIG. 5

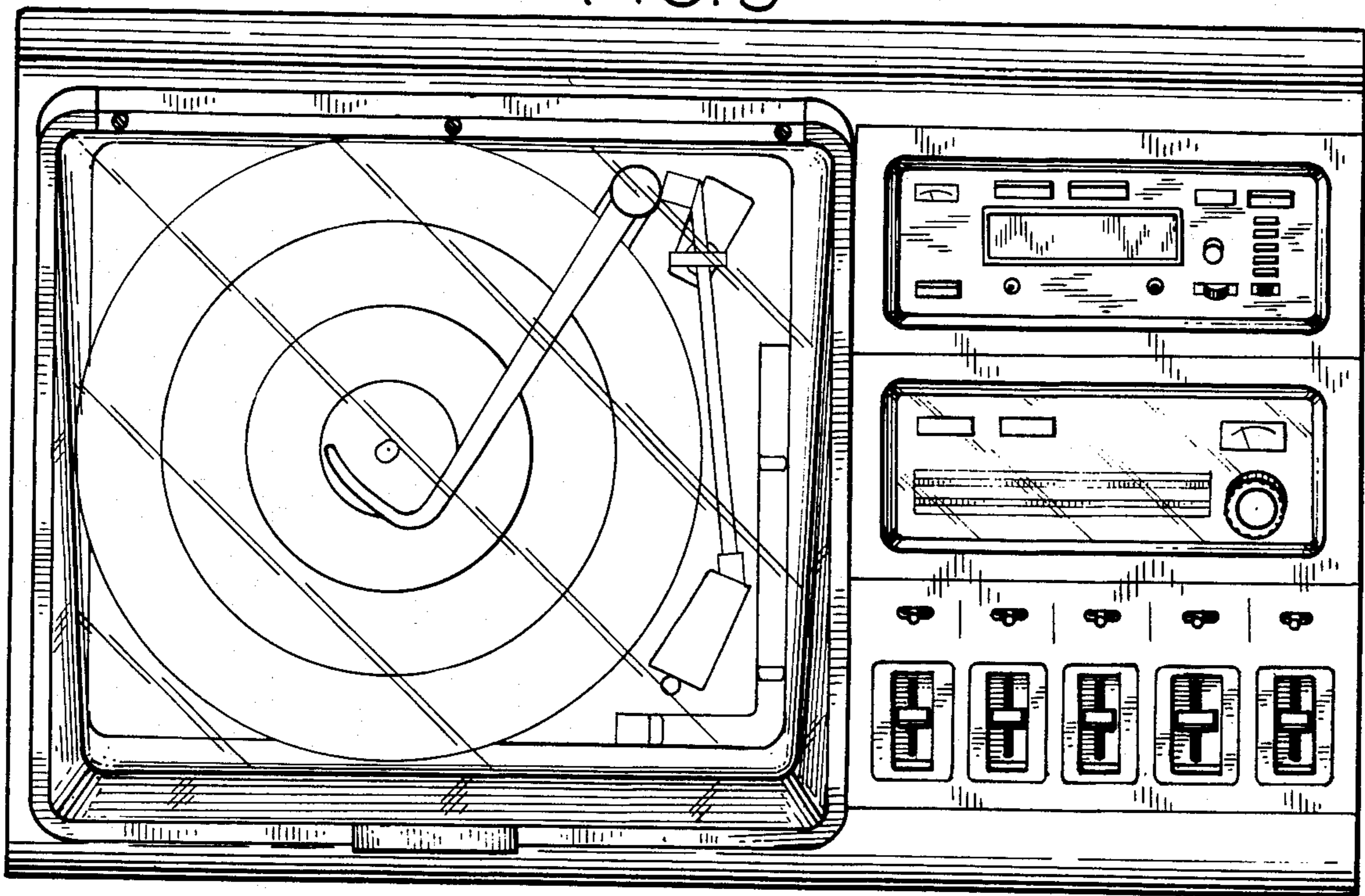


FIG. 6

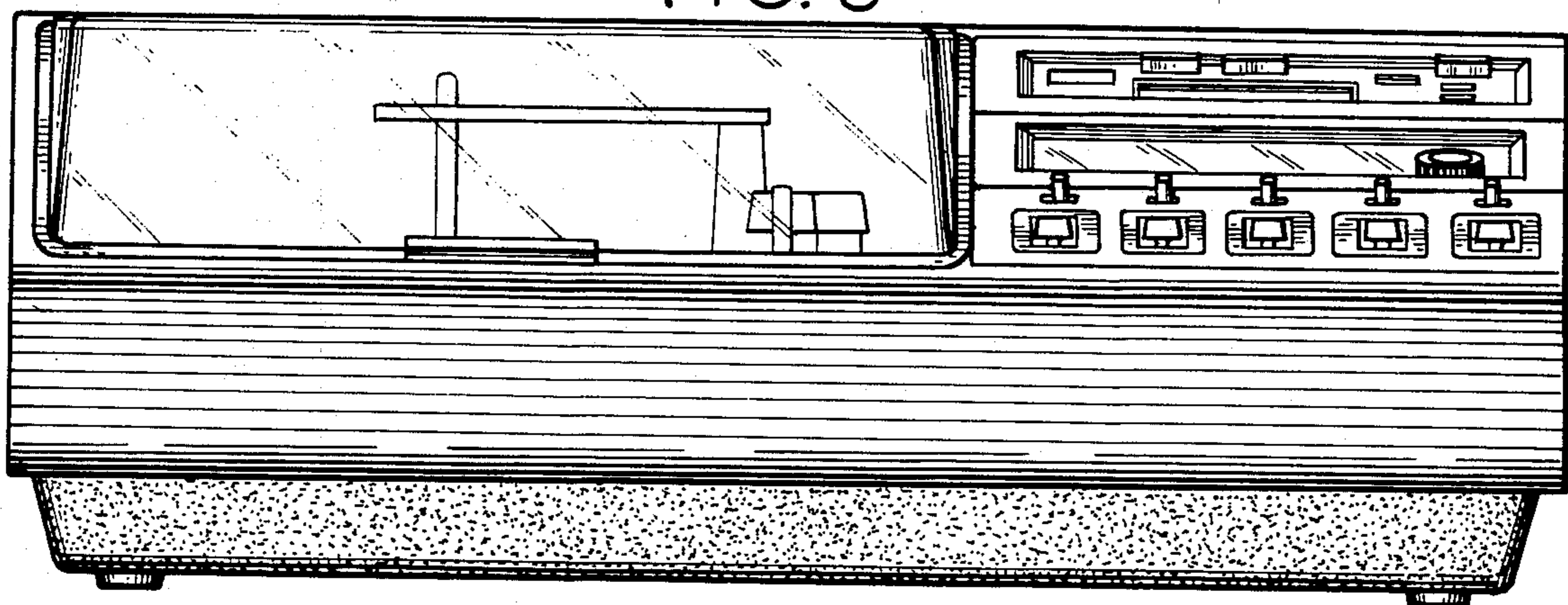


FIG. 7

